

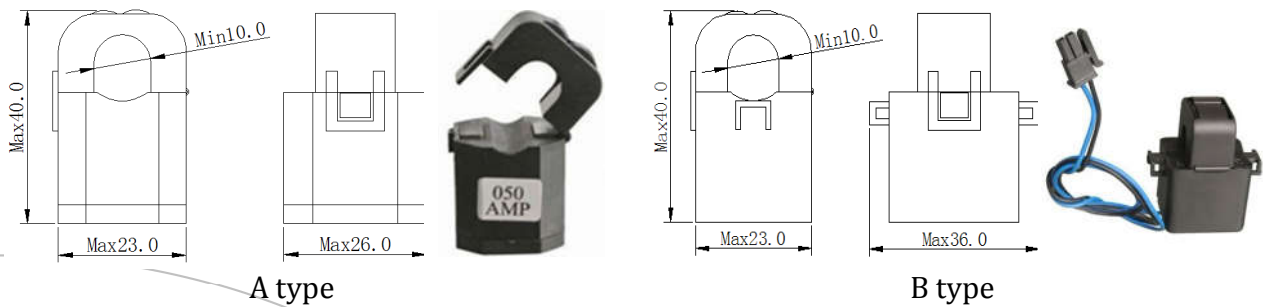
1. SPECIFICATIONS

- 1、 Rated Voltage : 0.66KV
- 2、 Insulation Voltage : 2KV
- 3、 Rated Frequency : 50HZ or 60HZ
- 4、 Operating Temperature : -15°C to 60°C
- 5、 Flame resistance : UL94-V0
- 6、 Certificates : CE、 UL

2. FEATURES

- 1、 Small cost
- 2、 Split core design ,Easier installation
- 3 Build diode ,no high voltage danger
- 4、 Good linearity at very low current

3. DIMENSIONS (mm)



4. PARAMETERS

Model	Input (A)	Max current (A)	Output
XH-SCT-T10B	5-80AAC	100AAC	0-26.6mArms

5. CURVE PERFORMANCE

