

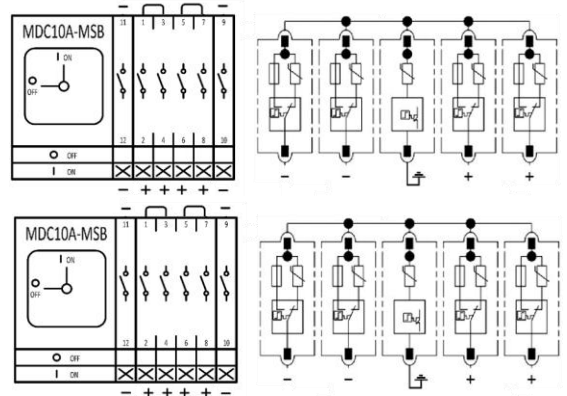
Technical datasheet

Description

Part No.: 3200100036
 Product Code: MSB-488-16-1005-CDC-EXEL

DC-string box with disconnect switch and surge arrester for solar inverters

Max. number of MPPTs	4 MPPT
Max. number of strings	8 incoming + 8 outgoing
Max. Voltage	1005 Vdc
Max. current per string	16 A
Max. current per MPPT	32 A (16 A per string)
Surge protection device (SPD)	surge arrester
Class	type 2
Max. PV voltage (UCPV)	1170 Vdc
Voltage protection level (UP)	≤ 4kV
Terminal cross section	1.5 - 10 mm ²
DC disconnect switch	MDC10A-662V-9121
Enclosure	polycarbonate watertight distribution box
Impact resistance	IK08
Ambient Temperature	-25°C to +40°C
Degree of protection	IP65



Standard CE acc. IEC 61439-2

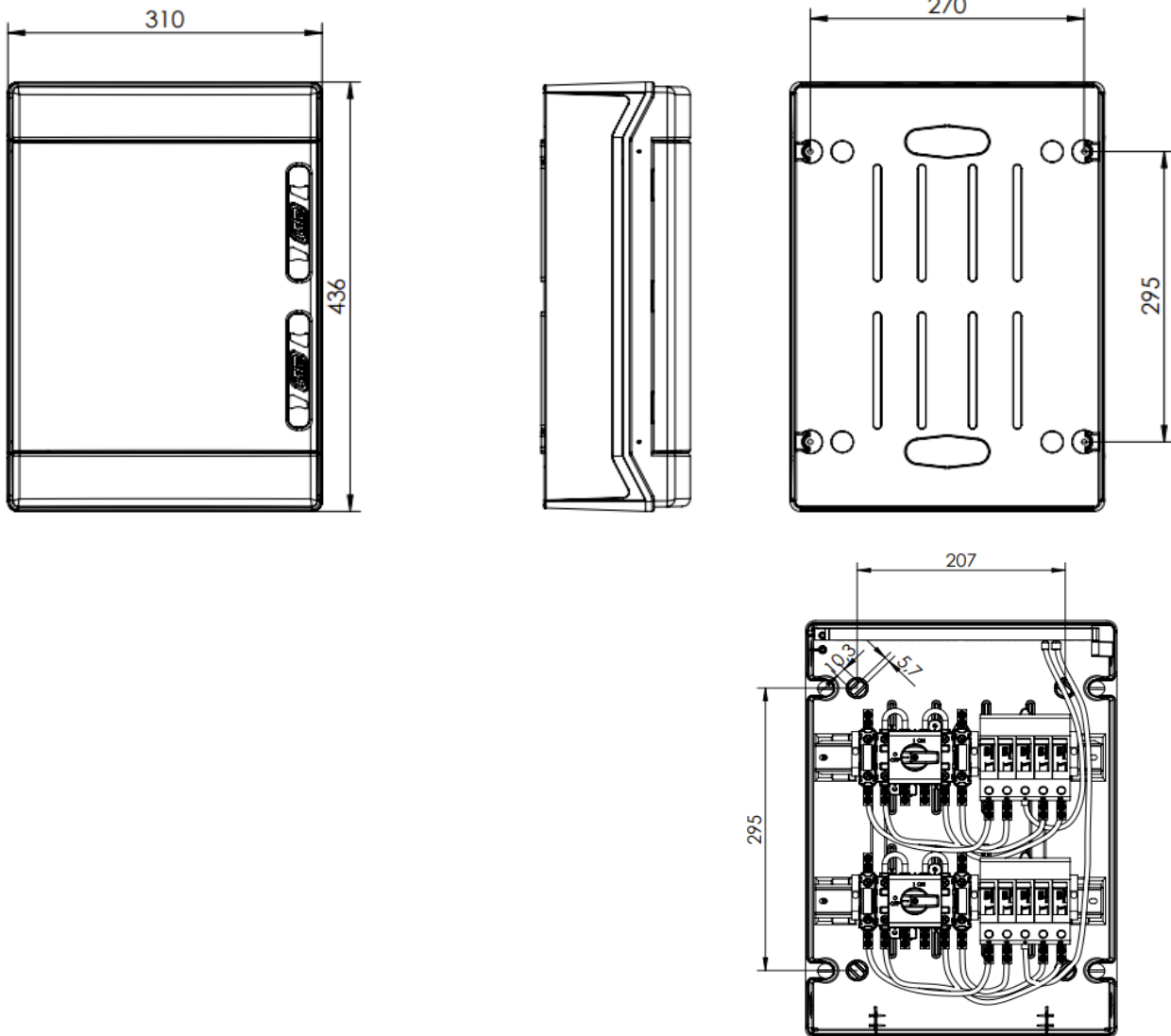
Electrical Data Series MDC10A-662 according to IEC 60947-3:

Utilization Category	DC-PV1
Rated operational voltage U_e	[Vdc] 1005
Rated operational current I_e	[Adc] 32

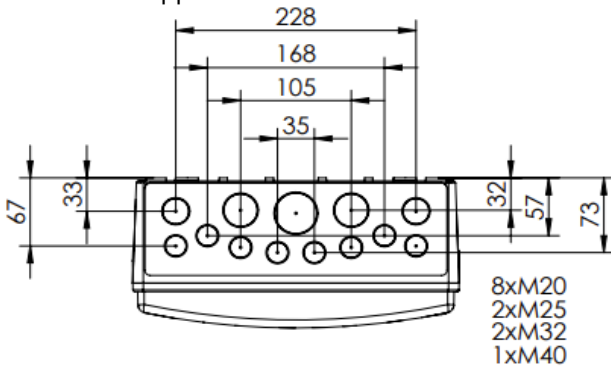
Rated short time withstand current I_{cw}	600A – 1 sec.
Rated short time making capacity I_{cm}	600A
Rated Impulse Withstand Voltage U_{imp}	8kV
Rated Insulation Voltage U_i	1005V

Terminal cross section	- solid or stranded	min./max.	1.5 - 10 mm ²
	- finely stranded with sleeve	min./max.	1.5 - 10 mm ²

Wiring see page 3 electrical circuit diagram



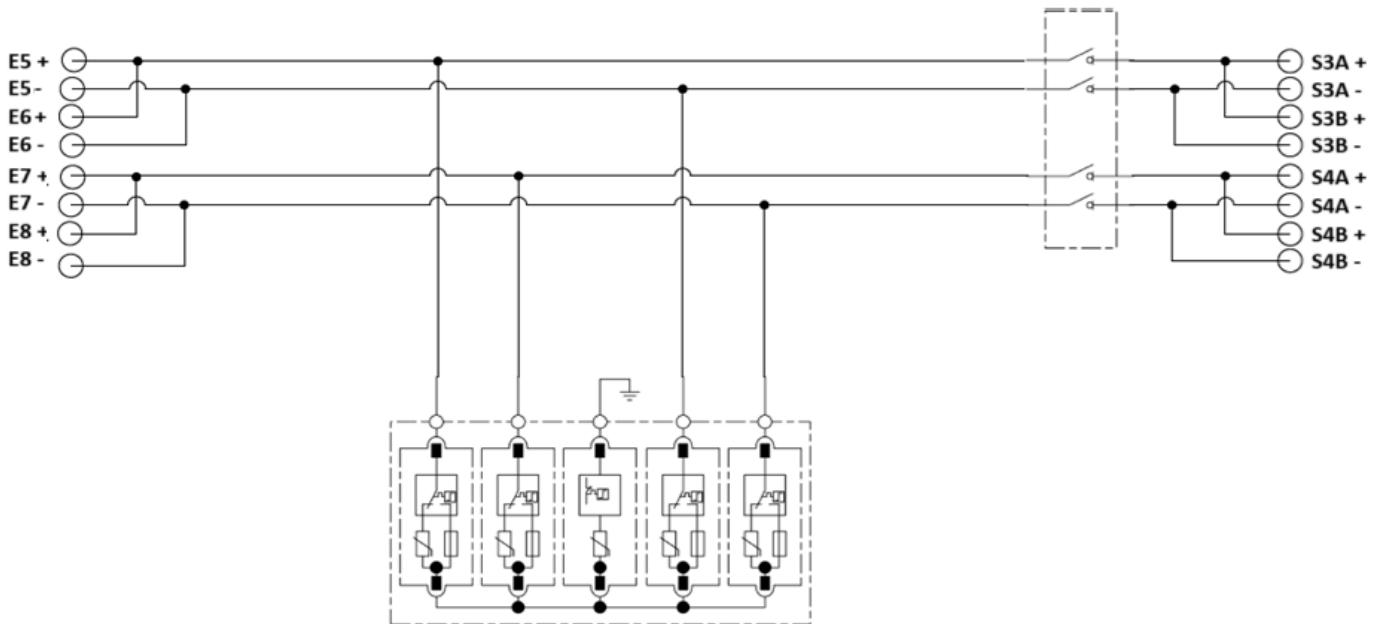
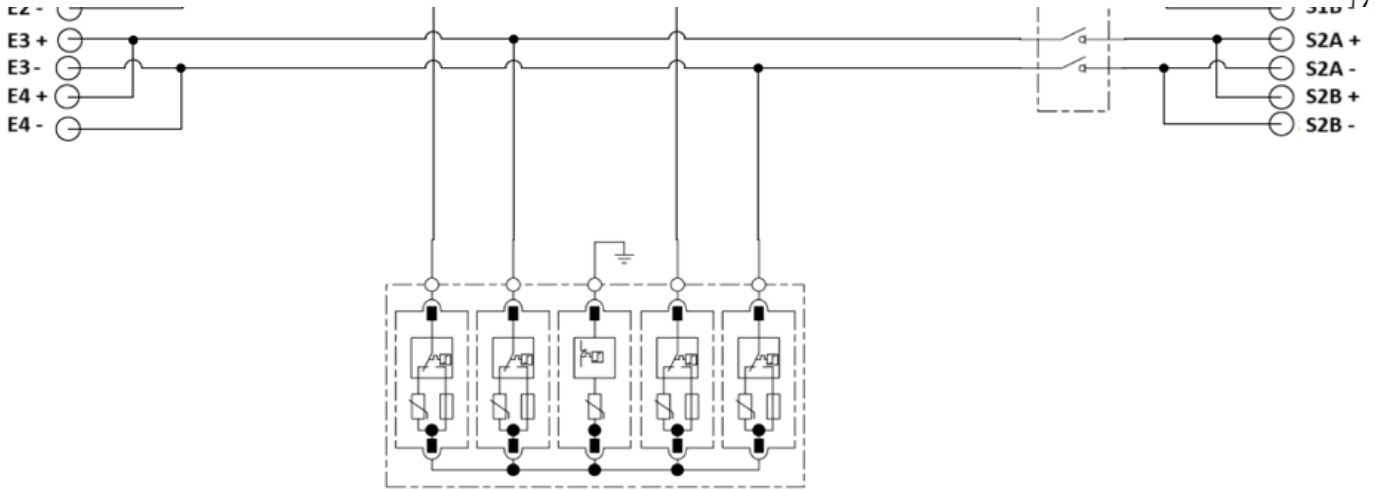
knockouts 1x upper side + 1 x lower side



Electrical circuit diagram

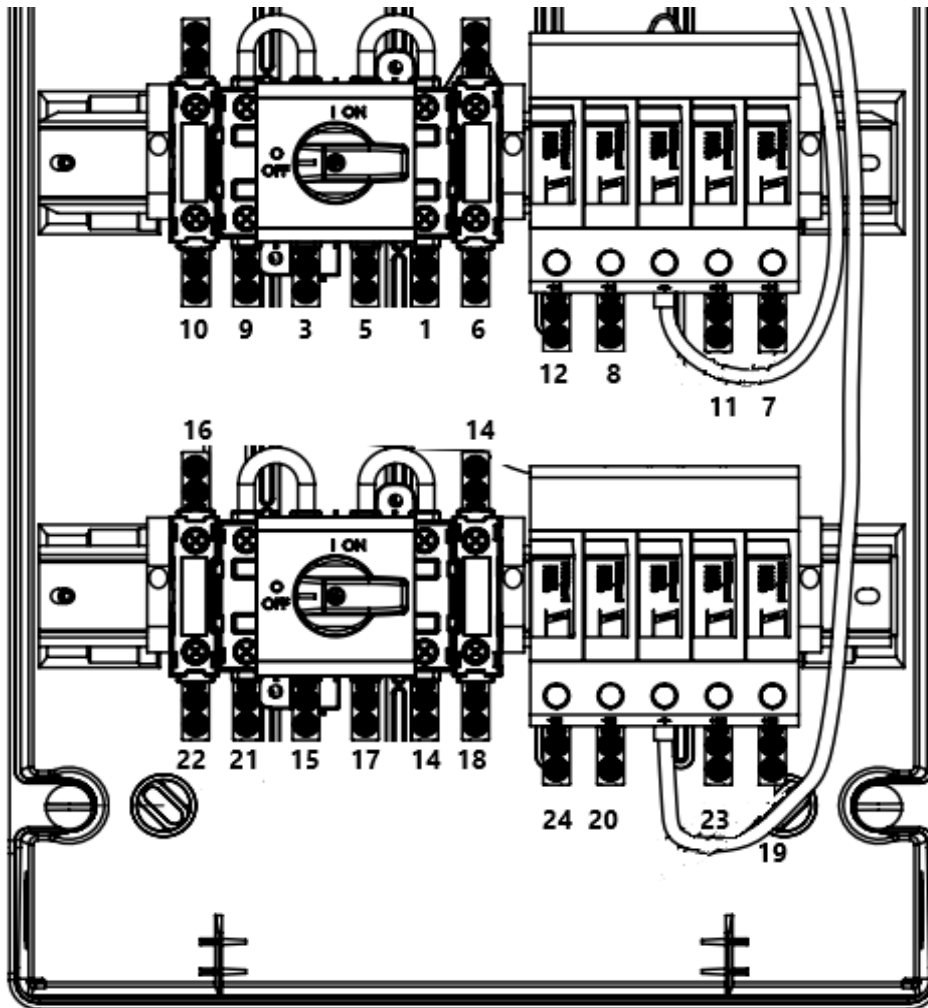
data

switch to Quality!



1	S1 A/B+
2	S1 A/B-

Irrtümer, Druckfehler und technische Änderungen vorbehalten.



5	E1+
6	E1-
7	E2+
8	E2-
9	E3+
10	E3-
11	E4+
12	E4-
13	S3 A/B+
14	S3 A/B-
15	S4 A/B+
16	S4 A/B-
17	E5+
18	E5-
19	E6+
20	E6-
21	E7+
22	E7-
23	E8+
24	E8-

Do not modify the factory pre-wiring

Connect the wires to the multiple terminals with a tightening torque of 0.8Nm

Check that all the multiple terminals are well tightened

Switch: 1.2 - 1.4Nm

SPD: 4.0Nm

Never exceed the current and voltage values indicated in the technical specification sheet