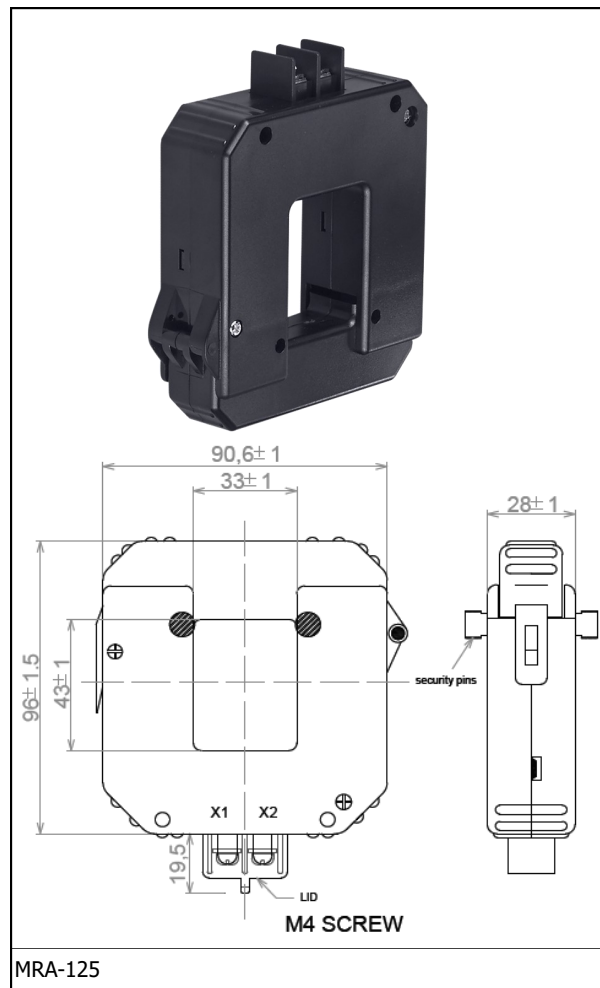
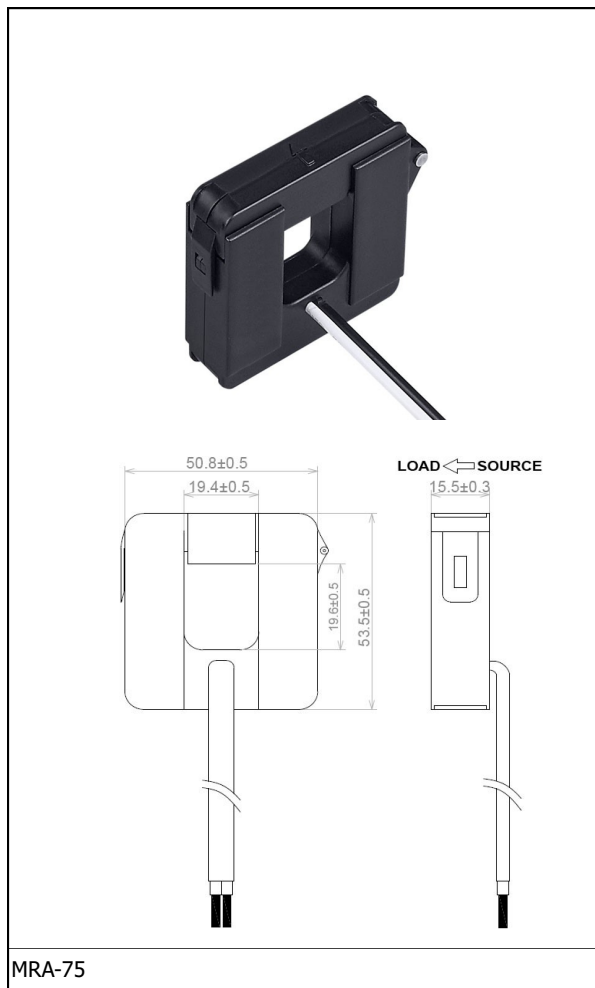


## MILLIAMP REVENUE GRADE SPLIT-CORE CURRENT TRANSFORMERS

	MRA-75	MRA-125	MRA-2x3	MRA-3x5
Primary Wire Window	0.75" x 0.75" (19mm)	1.29" x 1.69" (33x43mm)	2.00"x3.50" (50x90mm)	3.15"x4.75" (80x120mm)
Max Continuous Current (Amps AC)	300A	600A	1500A	2500A
Output @ Max Input (mA AC)	40mA	80mA	200mA	166.67mA
Turns Ratio	7500:1	7500:1	7500:1	15000:1
Insulation Class	600V; 50-400Hz			
Overload	2 x Max Input for 5 seconds			
Uncompensated Accuracy (1% - 120%)	±0.5% (IEC 60044-1 , ANSI C57.13-2008 Class 0.5)			
Compensated Metering Accuracy (1% - 120%)	±0.2% (ANSI C12.20 class 0.2)			
Phase Shift	Less than 0.3°			
Leads	AWG #22, 6' (1.8m) 600V	Terminal Block, includes AWG 20, 8' (2.4m) leads	Terminal Block, includes AWG 20, 8' (2.4m) leads	Terminal Block, in- cludes AWG 20, 8' (2.4m) leads
Max Open Circuit Voltage	Output Clamped at 7Vac			
Temperature Range	-40°C to 55°C			



Unlike standard 5A CTs, MRA Current Transformers do not produce high voltages when opened. They generate a low energy mA signal level and no special protection and/or shorting blocks are required. Maximum open secondary voltage is clamped at about 7V ac.

## MILLIAMP REVENUE GRADE SPLIT-CORE CURRENT TRANSFORMERS

	MRA-75	MRA-125	MRA-2x3	MRA-3x5
Primary Wire Window	0.75" x 0.75" (19mm)	1.29" x 1.69" (33x43mm)	2.00"x3.50" (50x90mm)	3.15"x4.75" (80x120mm)
Max Continuous Current (Amps AC)	300A	600A	1500A	2500A
Output @ Max Input (mA AC)	40mA	80mA	200mA	166.67mA
Turns Ratio	7500:1	7500:1	7500:1	15000:1
Insulation Class	600V; 50-400Hz			
Overload	2 x Max Input for 5 seconds			
Uncompensated Accuracy (1% - 120%)	±0.5% (IEC 60044-1 , ANSI C57.13-2008 Class 0.5)			
Compensated Metering Accuracy (1% - 120%)	±0.2% (ANSI C12.20 class 0.2)			
Phase Shift	Less than 0.3°			
Leads	AWG #22, 6' (1.8m) 600V		Terminal Block, includes AWG 20, 8' (2.4m) leads	Terminal Block, includes AWG 20, 8' (2.4m) leads
Max Open Circuit Voltage	Output Clamped at 7Vac			
Temperature Range	-40°C to 55°C			

