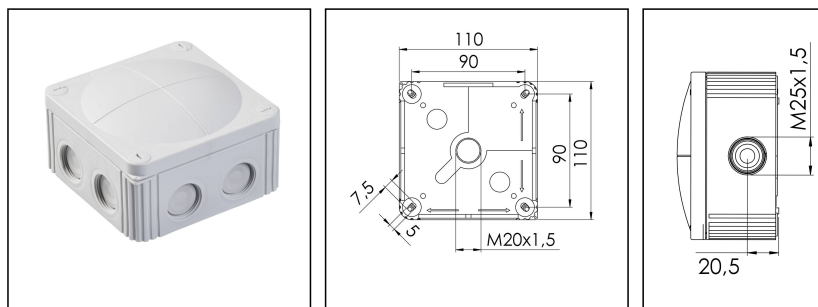



## COMBI 607/5 LG

Junction box 110x110x66mm, polypropylene, RAL 7035, with terminal block



Products may differ in size, colour and appearance to those shown. If you require further information or customisation, please contact us directly.



|                                     |   |
|-------------------------------------|---|
| <b>Material</b>                     | Polypropylene   |
| <b>Material sealing gasket</b>      | TPE   |
| <b>Temp. range min</b>              | -30 °C  |
| <b>Temp. range max</b>              | 100 °C  |
| <b>Temperatures during install.</b> | -5 °C - 60 °C   |
| <b>Protection class</b>             | IP66 / IP67   |
| <b>Glow wire test</b>               | 750 °C  |
| <b>Voltage</b>                      | 690 V   |
| <b>Rated current / A (Terminal)</b> | 41 A  |
| <b>Rated cross section</b>          | 6 mm <sup>2</sup>   |
| <b>Terminals/poles</b>              | 5-pole, 6,0 mm <sup>2</sup>   |
| <b>Fixing</b>                       | 4 internal openings   |
| <b>Ø cable diameter min</b>         | 5,2 mm  |
| <b>Ø cable diameter max</b>         | 17 mm   |
| <b>External dimensions LxWxH</b>    | 110 x 110 x 66mm  |
| <b>Using for cable gland</b>        |  |
| <b>Product Color</b>                | RAL 7035  |
| <b>WISKA-Order no.</b>              | 10060532  |
| <b>Type</b>                         | COMBI 607/5 LG  |
| <b>Packing unit</b>                 | 3   |
| <b>ETIM-Classification</b>          | EC002600  |

Remarks:

IP66: using the membrane entry

IP67: using the threaded entry together with ESKV cable gland

Your Contact:

**WISKA Hoppmann GmbH**

Kisdorfer Weg 28 · 24568 Kaltenkirchen · Germany

☎ +49-4191-508-0 · 📠 +49-4191-508-209

contact@wiska.de · www.wiska.com

**Equipment:**

- 7 M25 threaded membrane entries
- 3 membrane cable entries through rear
- 4 captive cover screws
- inclusive terminal block 5-pole, 6mm<sup>2</sup>

**Mounting:**

- 4 internal openings outside of the sealing area

**Recommended accessories**

|                                       |          |
|---------------------------------------|----------|
| MP-L Mounting plate large COMBI / WHK | 10105775 |
| External mounting - COMBI             | 10108836 |

**Spare parts**

|                           |          |
|---------------------------|----------|
| SP-HKT 607 Terminal block | 22000407 |
|---------------------------|----------|

14.06.2021

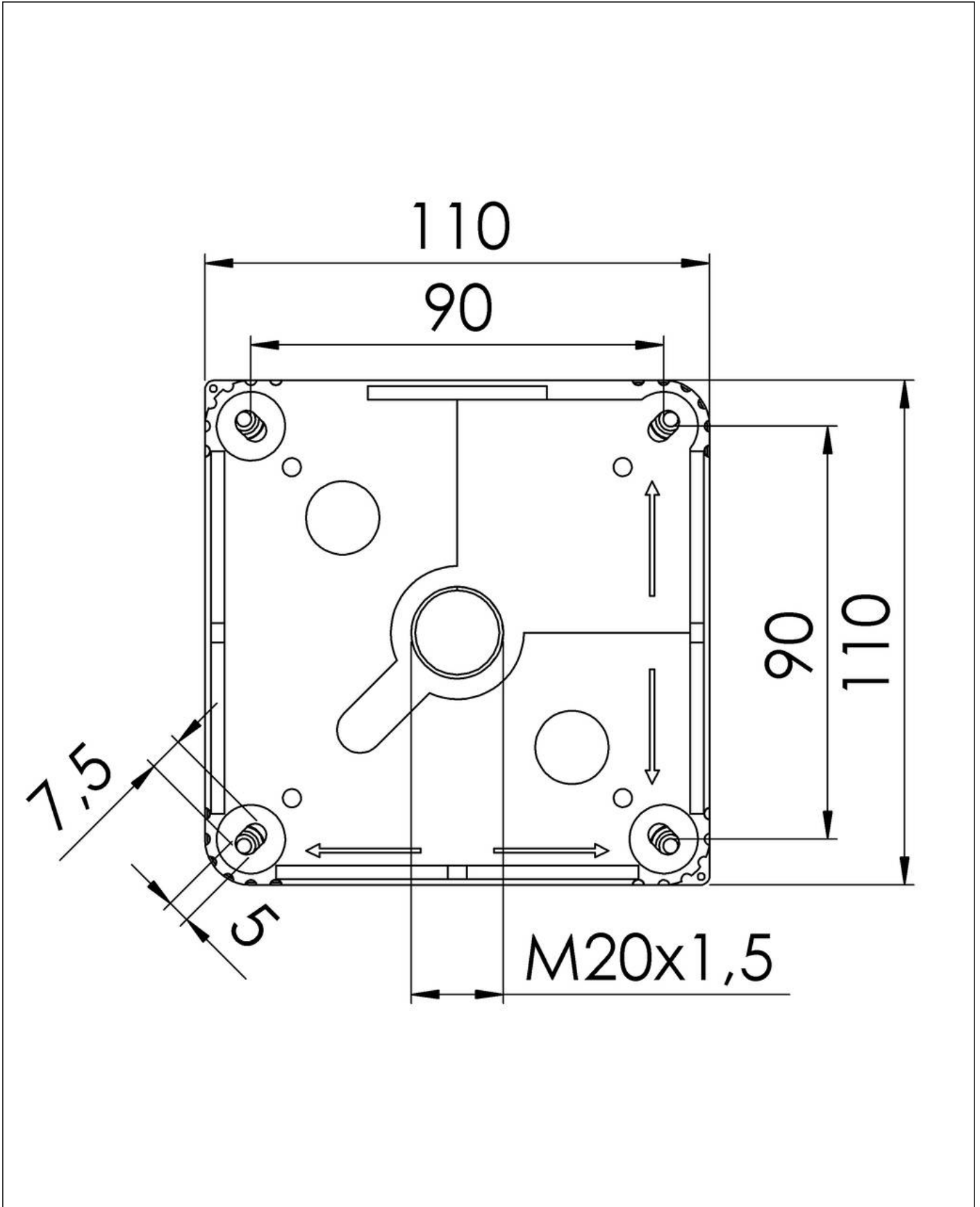
**Your Contact:**

**WISKA Hoppmann GmbH**

Kisdorfer Weg 28 · 24568 Kaltenkirchen · Germany

☎ +49-4191-508-0 · 📠 +49-4191-508-209

contact@wiska.de · www.wiska.com



Your Contact:

**WISKA Hoppmann GmbH**

Kisdorfer Weg 28 · 24568 Kaltenkirchen · Germany

☎ +49-4191-508-0 · 📠 +49-4191-508-209

contact@wiska.de · www.wiska.com



Your Contact:

**WISKA Hoppmann GmbH**

Kisdorfer Weg 28 · 24568 Kaltenkirchen · Germany

☎ +49-4191-508-0 · 📠 +49-4191-508-209

contact@wiska.de · www.wiska.com