



昱能 LATAM 配件

APsystems (LATAM) Accessories

Rev 2.6

ALTENERGY POWER SYSTEM Inc.
latam.APsystems.com

APsystems Guadalajara:
AV. Lazaro Cardenas 2850-5º Piso, Colonia Jardines del Bosque C.P. 44520, Guadalajara, Jalisco
Tel: 52 (33)-3188-4604
Mail: info.latam@APsystems.com

© All Rights Reserved

目录 Contents

YC500A 配件 YC500A Accessory.....	3
1. 接线示意图 Wiring Diagram.....	3
2. 配件汇总表 Accessories Summary.....	4
3. 实物图 Physical Picture.....	5
YC500I 配件 YC500I Accessory.....	6
1. 接线示意图 Wiring Diagram.....	6
2. 配件汇总表 Accessories Summary.....	7
3. 实物图 Physical Picture.....	9
YC600 (Y) 配件 YC600 (Y) Accessory.....	10
1. 接线示意图 Wiring Diagram.....	10
2. 配件汇总表 Accessories Summary.....	11
3. 实物图 Physical Picture.....	13
YC600 配件 YC600 Accessory.....	14
1. 接线示意图 Wiring Diagram.....	14
2. 配件汇总表 Accessories Summary.....	15
3. 实物图 Physical Picture.....	16
YC1000-3 配件 YC1000-3 Accessory.....	17
1. 接线示意图 Wiring Diagram.....	17
2. 配件汇总表 Accessories Summary.....	18
3. 实物图 Physical Picture.....	20
QS1 配件 QS1 Accessory.....	21
1. 接线示意图 Wiring Diagram.....	21
2. 配件汇总表 Accessories Summary.....	22
3. 实物图 Physical Picture.....	24
ECU-C 配件 ECU-C Accessory.....	25
1. 接线示意图 Wiring Diagram.....	25
2. 配件汇总表 Accessories Summary.....	26

APsystems

APsystems Guadalajara:

AV. Lazaro Cardenas 2850-5° Piso,

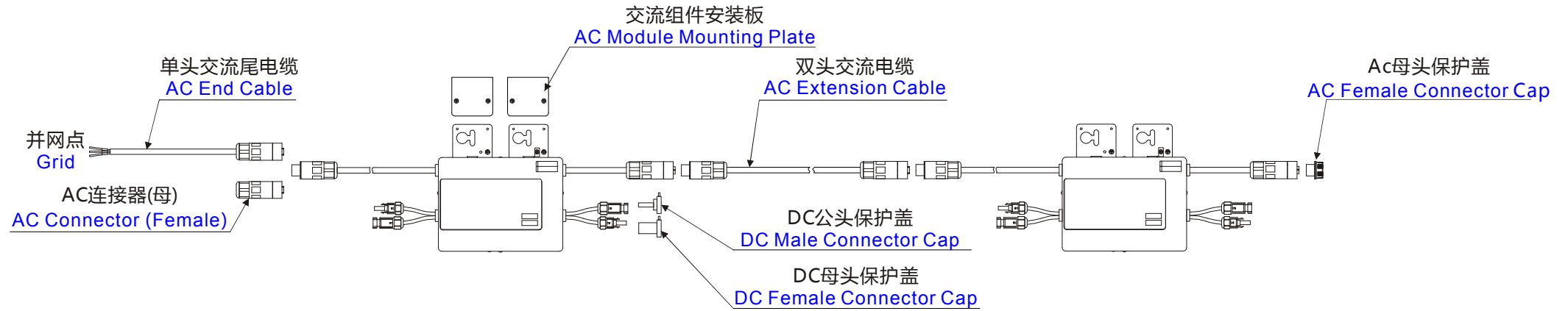
Colonia Jardines del Bosque C.P. 44520, Guadalajara, Jalisco

Tel: 52.(33)-3188-4604... | latam.APsistemas.com

3. 实物图 Physical Picture.....	26
OPT700 配件 OPT700 Accessory.....	27
1. 接线示意图 Wiring Diagram.....	27
2. 配件汇总表 Accessories Summary.....	28
3. 实物图 Physical Picture.....	28
OPT700-RS 配件 OPT700-RS Accessory.....	29
1. 接线示意图 Wiring Diagram.....	29
2. 配件汇总表 Accessories Summary.....	30
3. 实物图 Physical Picture.....	30

YC500A 配件 YC500A Accessory

1. 接线示意图 Wiring Diagram









APsystems

APsystems Guadalajara:
 AV. Lazaro Cardenas 2850-5° Piso,
 Colonia Jardines del Bosque C.P. 44520, Guadalajara, Jalisco
 Tel: 52 (33)-3188-4604 | latam.APsistemas.com

2. 配件汇总表 Accessories Summary

地区 Region		配件 Accessories							
		单头交流尾电缆 (选配) AC End Cable (Optional)	双头交流电缆 (选配) AC Extension Cable (Optional)	AC 母头保护盖 (必配) AC Female Connector Cap (Mandatory)	AC 连接器 (母) (选配) AC Connector (Female) (Optional)	DC 公头保护盖 (选配) DC Male Connector Cap (Optional)	DC 母头保护盖 (选配) DC Female Connector Cap (Optional)	交流组件安装板 (选配) AC Module Mounting Plate (Optional)	
LATAM	墨西哥 Mexico	-NA-MX (101005) (240V 分相电网) (For 240V split phase grid)	2334012122_2m 单头交流尾电缆 (12AWG,TC-ER cUL, 25A,黑-红-白) (见图 A) 2334012122_2m AC End Cable (12AWG,TC-ER cUL, 25A, BK-RD-WH) (See Pic. A)	2335012122_2m 双头交流电缆(12AWG,TC-ER cUL,25A,黑-红-白) (见图 B) 2335012122_2m AC Extension Cable (12AWG, TC-ER cUL,25A, BK-RD-WH) (See Pic. B)					
		-MX (101031) (127V 单相电网) (For 127V single phase grid)	2334011132_2m 单头交流尾电缆(12AWG , TC-ER , 25A , 棕-蓝-黄绿) (见图 A) 2334011132_2m AC End Cable (12AWG,TC,25A, BN-BU-YG) (See Pic. A)	2335011132_2m 双头交流电缆(12AWG , TC-ER , 25A , 棕-蓝-黄绿) (见图 B) 2335011132_2m AC Ext-Cable (12AWG,TC,25A, BN-BU-YG) (See Pic. B)	2061002002_25A 母头保护盖(EN,三芯) (见图 C)	2300532032_AC 连接器 (EN,三芯, 25A,母) (见图 D)	2060401006_DC 公头保护盖 (MC4) (见图 E)	2060402006_DC 母头保护盖 (MC4) (见图 F)	2160140014_交流组件安装板 (见图 G)
	巴西 Brazil -BR (101006) -127-BR (101033)				2061002002_25A AC Female Connector Cap (See Pic. C)	2300532032_25A AC Female Connector (EN,3-wire) (See Pic. D)	2060401006_DC Male Connector Cap (MC4) (See Pic. E)	2060402006_DC Female Connector Cap (MC4) (See Pic. F)	2160140014_AC Module Mounting Plate (See Pic. G)
	其他 Others		2334012122_2m 单头交流尾电缆 (12AWG,TC-ER cUL, 25A,黑-红-白) (见图 A) 2334012122_2m AC End Cable (12AWG,TC-ER cUL, 25A, BK-RD-WH) (See Pic. A)	2335012122_2m 双头交流电缆(12AWG,TC-ER cUL,25A,黑-红-白) (见图 B) 2335012122_2m AC Extension Cable (12AWG, TC-ER cUL,25A, BK-RD-WH) (See Pic. B)					
			2334011132_2m 单头交流尾电缆(12AWG , TC-ER , 25A , 棕-蓝-黄绿) (见图 A) 2334011132_2m AC End Cable (12AWG,TC,25A, BN-BU-YG) (See Pic. A)	2335011132_2m 双头交流电缆(12AWG , TC-ER , 25A , 棕-蓝-黄绿) (见图 B) 2335011132_2m AC Ext-Cable (12AWG,TC,25A, BN-BU-YG) (See Pic. B)					

3. 实物图 Physical Picture

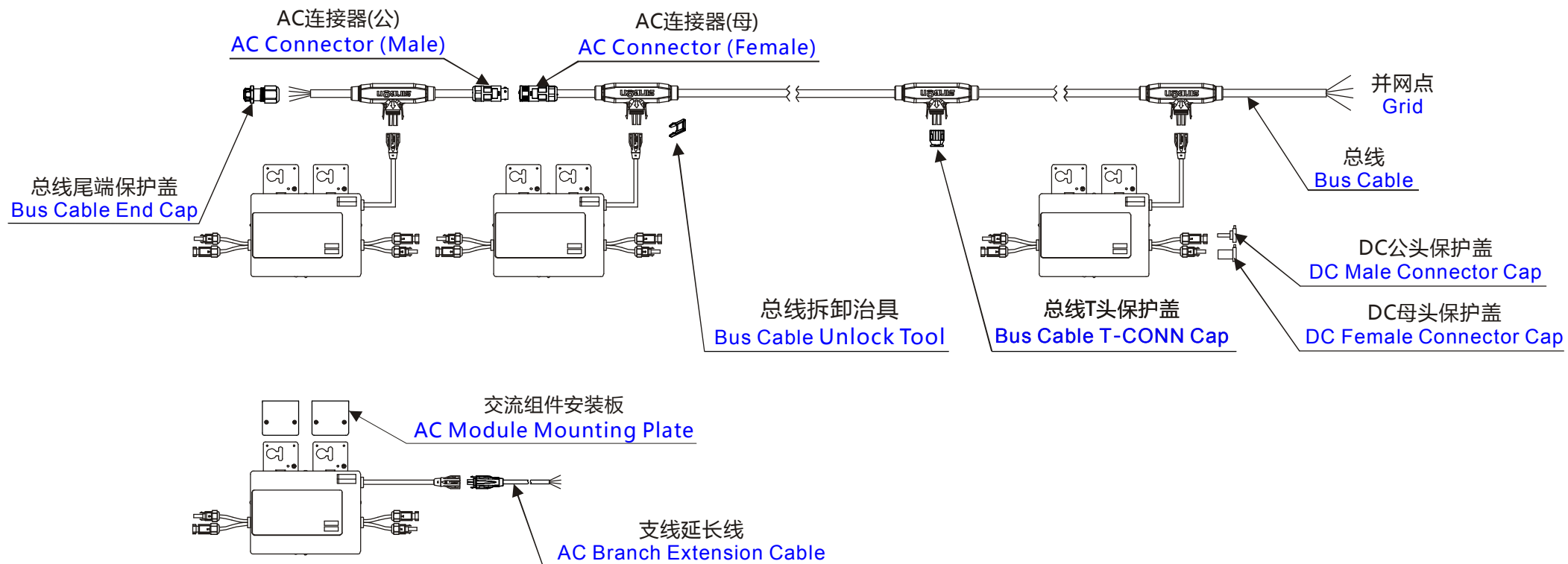
<p>单头交流尾电缆 AC End Cable</p>	<p>双头交流电缆 AC Extension Cable</p>	<p>AC 母头保护盖 AC Female Connector Cap</p>	<p>AC 连接器 (母) AC Connector (Female)</p>	<p>DC 公头保护盖 DC Male Connector Cap</p>
 <p>图 A Pic. A</p>	 <p>图 B Pic. B</p>	 <p>图 C Pic. C</p>	 <p>图 D Pic. D</p>	 <p>图 E Pic. E</p>
<p>DC 母头保护盖 DC Female Connector Cap</p>	<p>交流组件安装板 AC Module Mounting Plate</p>			
 <p>图 F Pic. F</p>	 <p>图 G Pic. G</p>			

APsystems

APsystems Guadalajara:
 AV. Lazaro Cardenas 2850-5° Piso,
 Colonia Jardines del Bosque C.P. 44520, Guadalajara, Jalisco
 Tel: 52 (33)-3188-4604 | latam.APsistemas.com

YC500I 配件 YC500I Accessory

1. 接线示意图 Wiring Diagram



APsystems

APsystems Guadalajara:
 AV. Lazaro Cardenas 2850-5° Piso,
 Colonia Jardines del Bosque C.P. 44520, Guadalajara, Jalisco
 Tel: 52 (33)-3188-4604 | latam.APsistemas.com

2. 配件汇总表 Accessories Summary

地区 Region		配件 Accessories									
		总线 (必配) Bus Cable (Mandatory)	支线延长线 (选配) AC Branch Extension Cable (Optional)	总线尾端保 护盖 (必配) Bus Cable End Cap (Mandatory)	总线 T 头保 护盖 (选配) Bus Cable T-CONN Cap (Optional)	总线拆卸治 具 (必配) Bus Cable Unlock Tool (Mandatory)	DC 公头保护 盖 (选配) DC Male Connector Cap(Optional)	DC 母头保护 盖 (选配) DC Female Connector Cap(Optional)	AC 连接器 (公)(选配) AC Connector (Male) (Optional)	AC 连接器 (母)(选配) AC Connector (Female) (Optional)	交流组件安装 板 (选配) AC Module Mounting Plate (Optional)
LATAM	墨西哥 Mexico	2322308153_四 芯总线(12AWG, TC-ER cUL,2m, 黑-红-白-绿) (见图 A) 2322308153_4-wire Bus Cable (12AWG, TC-ER cUL,2m, BK-RD-WT- GN) (See Pic. A)	2334041152_四芯支 线延长线(18AWG, TC-ER cUL,2m, 黑-红-白-绿) (见图 B) 2334041152_ 4-wire Branch Extension Cable (18AWG, TC-ER cUL, 2m,BK-RD-WT-GN) (See Pic. B)	2060700007 _三/四芯总 线尾端保护 盖 (见图 C) 2060700007_ 3/4-wire Bus Cable End Cap (See Pic. C)	2060632007 _三/四芯总 线T头保护盖 (见图 D) 2060632007_ 3/4-wire Bus Cable T-CONN Cap (See Pic. D)	2351000001 _三/四芯总 线拆卸治具 (见图 E) 2351000001_ 3/4-wire Bus Cable Unlock Tool (See Pic. E)	2060401006 _DC 公头保 护盖 (MC4) (见图 F) 2060401006_ DC Male Connector Cap (MC4) (See Pic. F)	2060402006 _DC 母头保 护盖 (MC4) (见图 G) 2060402006_ DC Female Connector Cap (MC4) (See Pic. G)	2300711032 _AC 连接器 (EN,五芯, 25A,公) (见图 H) 2300711032_ 25A AC Male Connector (EN,5-wire) (See Pic. H)	2300812032 _AC 连接器 (EN,五芯, 25A,母) (见图 I) 2300812032_ 25A AC Female Connector (EN,5-wire) (See Pic. I)	2160140014 _交流组件安 装板 (见图 L) 2160140014_ AC Module Mounting Plate (See Pic. L)
	巴西 Brazil	2322300153_三 芯总线(2.5mm ² , PV07AC-F , 2m , 棕-蓝-黄绿) (见图 A) 2322300153_3C Bus Cable(2.5mm ² , PV, 2m,BN-BU-YG) (See Pic. A)	2334031132_三芯支 线延长线 (1.0mm ² , PV07AC-F , 2m , 棕-蓝-黄绿) (见图 B) 2334031132_3C Br. Ext-Cable(1.0mm ² , PV,2m,BN-BU-YG) (See Pic. B)	2060700007_ 3/4-wire Bus Cable End Cap (See Pic. C)	2060632007_ 3/4-wire Bus Cable T-CONN Cap (See Pic. D)	2351000001_ 3/4-wire Bus Cable Unlock Tool (See Pic. E)	2060401006_ DC Male Connector Cap (MC4) (See Pic. F)	2060402006_ DC Female Connector Cap (MC4) (See Pic. G)	2300531032 _AC 连接器 (EN,三芯, 25A,公) (见图 J) 2300531032_ 25A AC Male Connector (EN,3-wire) (See Pic. J)	2300532032 _AC 连接器 (EN,三芯, 25A,母) (见图 K) 2300532032_ 25A AC Female Connector (EN,3-wire) (See Pic. K)	2160140014_ AC Module Mounting Plate (See Pic. L)

APsystems

APsystems Guadalajara:
 AV. Lazaro Cardenas 2850-5° Piso,
 Colonia Jardines del Bosque C.P. 44520, Guadalajara, Jalisco
 Tel: 52 (33)-3188-4604 | latam.APsistemas.com

地区 Region	配件 Accessories									
	总线 (必配) Bus Cable (Mandatory)	支线延长线 (选配) AC Branch Extension Cable (Optional)	总线尾端保 护盖 (必配) Bus Cable End Cap (Mandatory)	总线 T 头保 护盖 (选配) Bus Cable T-CONN Cap (Optional)	总线拆卸治 具 (必配) Bus Cable Unlock Tool (Mandatory)	DC 公头保护 盖 (选配) DC Male Connector Cap(Optional)	DC 母头保护 盖 (选配) DC Female Connector Cap(Optional)	AC 连接器 (公)(选配) AC Connector (Male) (Optional)	AC 连接器 (母)(选配) AC Connector (Female) (Optional)	交流组件安装 板 (选配) AC Module Mounting Plate (Optional)
LATAM 其他 Others	2322308153_四 芯总线(12AWG, TC-ER cUL,2m, 黑-红-白-绿) (见图 A) 2322308153_ 4-wire Bus Cable(12AWG, TC-ER cUL,2m, BK-RD-WT- GN) (See Pic. A)	2334041152_四芯支 线延长线(18AWG, TC-ER cUL,2m, 黑-红-白-绿) (见图 B) 2334041152_4-wire Branch Extension Cable (18AWG, TC-ER cUL, 2m,BK-RD-WT-GN) (See Pic. B)	2060700007 _三/四芯总 线尾端保护 盖 (见图 C) 2060700007_ 3/4-wire Bus Cable End Cap (See Pic. C)	2060632007 _三/四芯总 线T头保护盖 (见图 D) 2060632007_ 3/4-wire Bus Cable T-CONN Cap (See Pic. D)	2351000001 _三/四芯总 线拆卸治具 (见图 E) 2351000001_ 3/4-wire Bus Cable Unlock Tool (See Pic. E)	2060401006 _DC 公头保 护盖 (MC4) (见图 F) 2060401006_ DC Male Connector Cap (MC4) (See Pic. F)	2060402006 _DC 母头保 护盖 (MC4) (见图 G) 2060402006_ DC Female Connector Cap (MC4) (See Pic. G)	2300711032 _AC 连接器 (EN,五芯, 25A,公) (见图 H) 2300711032_ 25A AC Male Connector (EN,5-wire) (See Pic. H)	2300812032 _AC 连接器 (EN,五芯, 25A,母) (见图 I) 2300812032_ 25A AC Female Connector (EN,5-wire) (See Pic. I)	2160140014 _交流组件安 装板 (见图 L) 2160140014_ AC Module Mounting Plate (See Pic. L)
	2322300153_三 芯总线(2.5mm ² , PV07AC-F , 2m , 棕-蓝-黄绿) (见图 A) 2322300153_3C Bus Cable(2.5mm ² , PV, 2m,BN-BU-YG) (See Pic. A)	2334031132_三芯支 线延长线 (1.0mm ² , PV07AC-F , 2m , 棕-蓝-黄绿) (见图 B) 2334031132_3C Br. Ext-Cable(1.0mm ² , PV,2m,BN-BU-YG) (See Pic. B)	2300531032 _AC 连接器 (EN,三芯, 25A,公) (见图 J) 2300531032_ 25A AC Male Connector (EN,3-wire) (See Pic. J)	2300532032 _AC 连接器 (EN,三芯, 25A,母) (见图 K) 2300532032_ 25A AC Female Connector (EN,3-wire) (See Pic. K)						

3. 实物图 Physical Picture

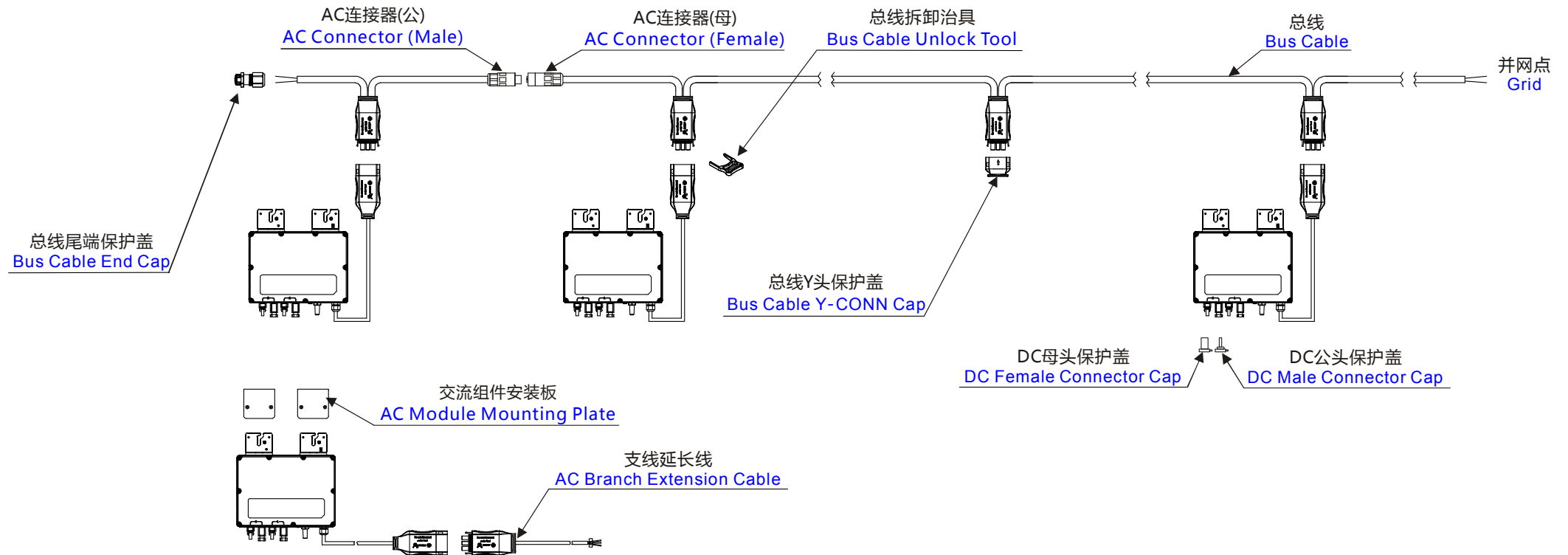
总线 Bus Cable	支线延长线 AC Branch Extension Cable	总线尾端保护盖 Bus Cable End Cap	总线 T 头保护盖 Bus Cable T-CONN Cap	总线拆卸工具 Bus Cable Unlock Tool	DC 公头保护盖 DC Male Connector Cap	DC 母头保护盖 DC Female Connector Cap
 <p>图 A Pic. A</p>	 <p>图 B Pic. B</p>	 <p>图 C Pic. C</p>	 <p>图 D Pic. D</p>	 <p>图 E Pic. E</p>	 <p>图 F Pic. F</p>	 <p>图 G Pic. G</p>
AC 连接器 (公) AC Connector (Male)	AC 连接器 (母) AC Connector (Female)	AC 连接器 (公) AC Connector (Male)	AC 连接器 (母) AC Connector (Female)	交流组件安装板 AC Module Mounting Plate		
 <p>图 H Pic. H</p>	 <p>图 I Pic. I</p>	 <p>图 J Pic. J</p>	 <p>图 K Pic. K</p>	 <p>图 L Pic. L</p>		

APsystems

APsystems Guadalajara:
 AV. Lazaro Cardenas 2850-5° Piso,
 Colonia Jardines del Bosque C.P. 44520, Guadalajara, Jalisco
 Tel: 52 (33)-3188-4604 | latam.APsistemas.com

YC600 (Y) 配件 YC600 (Y) Accessory

1. 接线示意图 Wiring Diagram



APsystems

APsystems Guadalajara:
 AV. Lazaro Cardenas 2850-5° Piso,
 Colonia Jardines del Bosque C.P. 44520, Guadalajara, Jalisco
 Tel: 52 (33)-3188-4604 | latam.APsistemas.com

2. 配件汇总表 Accessories Summary

地区 Region		配件 Accessories									
		总线 (必配) Bus Cable (Mandatory)	支线延长线 (选配) AC Branch Extension Cable (Optional)	总线尾端保护 盖 (必配) Bus Cable End Cap (Mandatory)	总线 Y 头保护 盖 (选配) Bus Cable Y-CONN Cap (Optional)	总线拆卸治具 (必配) Bus Cable Unlock Tool (Mandatory)	DC 公头保护 盖 (选配) DC Male Connector Cap(Optional)	DC 母头保护 盖 (选配) DC Female Connector Cap (Optional)	AC 连接器 (公)(选配) AC Connector (Male) (Optional)	AC 连接器 (母)(选配) AC Connector (Female) (Optional)	交流组件安 装板 (选配) AC Module Mounting Plate (Optional)
LATAM	墨西哥 Mexico -NA-MX (110005)	2322304603_Y2 总线 (12AWG,TC-E R,cUL,2m,黑- 红) (见图 A) 2322304603_Y2 Bus Cable(12AWG,TCE R,cUL,2m,BK-RD) (See Pic. A)	2334072222_Y2 支 线延长线 (18AWG, TCER cUL, 2m, 黑- 红) (见图 B) 2334071112_Y2 Br. Ext-Cable(18 AWG,TCER cUL,2m, BK-RD) (See Pic. B)	2060700007 _三/四芯总线 尾端保护盖 (见图 C) 2060700007_ 3/4-wire Bus Cable End Cap (See Pic. C)	2061702007 _总线 Y 头保 护盖 (见图 D) 2061702007_ Bus Cable Y-CONN Cap (See Pic. D)	2352000001_ Y 总线拆卸治 具 (见图 E) 2352000001_ Y Bus Cable Unlock Tool (See Pic. E)	2060401006 _DC 公头保 护盖 (MC4) (见图 F) 2060401006_ DC Male Connector Cap (MC4) (See Pic. F)	2060402006 _DC 母头保 护盖 (MC4) (见图 G) 2060402006_D C Female Connector Cap (MC4) (See Pic. G)	2300531032 _AC 连接器 (EN,三芯, 25A,公) (见图 H) 2300531032_ 25A AC Male Connector (EN,3-wire) (See Pic. H)	2300532032 _AC 连接器 (EN,三芯, 25A,母) (见图 I) 2300532032_ 25A AC Female Connector (EN,3-wire) (See Pic. I)	2160140014 _交流组件安 装板 (见图 J) 2160140014_ AC Module Mounting Plate (See Pic. J)







APsystems

APsystems Guadalajara:
AV. Lazaro Cardenas 2850-5° Piso,
Colonia Jardines del Bosque C.P. 44520, Guadalajara, Jalisco
Tel: 52 (33)-3188-4604 | latam.APsistemas.com

配件 Accessories

地区 Region	配件 Accessories									
	总线 (必配) Bus Cable (Mandatory)	支线延长线 (选配) AC Branch Extension Cable (Optional)	总线尾端保护 盖 (必配) Bus Cable End Cap (Mandatory)	总线 Y 头保护 盖 (选配) Bus Cable Y-CONN Cap (Optional)	总线拆卸治具 (必配) Bus Cable Unlock Tool (Mandatory)	DC 公头保护 盖 (选配) DC Male Connector Cap(Optional)	DC 母头保护 盖 (选配) DC Female Connector Cap (Optional)	AC 连接器 (公)(选配) AC Connector (Male) (Optional)	AC 连接器 (母)(选配) AC Connector (Female) (Optional)	交流组件安 装板 (选配) AC Module Mounting Plate (Optional)
LATAM 其他 Others	2322304703_Y2 总线 (2.5mm ² ,PV07 AC-F,2m,棕-蓝) (见图 A) 2322304703_Y2 Bus Cable(2.5mm ² ,PV, 2m,BN-BU) (See Pic. A)	2334071112_Y2 支 线延长线 (2.5mm ² , PV07AC-F , 1m , 棕- 蓝) (见图 B) 2334071112_Y2 Br. Ext-Cable(2.5mm ² ,PV, 1m,BN-BU) (See Pic. B)	2060700007 _三/四芯总线 尾端保护盖 (见图 C) 2060700007_ 3/4-wire Bus Cable End Cap (See Pic. C)	2061702007 _总线 Y 头保 护盖 (见图 D) 2061702007_ Bus Cable Y-CONN Cap (See Pic. D)	2352000001_ Y 总线拆卸治 具 (见图 E) 2352000001_ Y Bus Cable Unlock Tool (See Pic. E)	2060401006 _DC 公头保 护盖 (MC4) (见图 F) 2060401006_ DC Male Connector Cap (MC4) (See Pic. F)	2060402006 _DC 母头保 护盖 (MC4) (见图 G) 2060402006_D C Female Connector Cap (MC4) (See Pic. G)	2300531032 _AC 连接器 (EN,三芯, 25A,公) (见图 H) 2300531032_ 25A AC Male Connector (EN,3-wire) (See Pic. H)	2300532032 _AC 连接器 (EN,三芯, 25A,母) (见图 I) 2300532032_ 25A AC Female Connector (EN,3-wire) (See Pic. I)	2160140014 _交流组件安 装板 (见图 J) 2160140014_ AC Module Mounting Plate (See Pic. J)
	2322304603_Y2 总线 (12AWG,TC-E R cUL,2m,黑- 红) (见图 A) 2322304603_Y2 Bus Cable(12AWG,TCE R,cUL,2m,BK-RD) (See Pic. A)	2334072222_Y2 支 线延长线 (18AWG , TCER cUL , 2m , 黑- 红) (见图 B) 2334071112_Y2 Br. Ext-Cable(18 AWG,TCER cUL,2m, BK-RD) (See Pic. B)								

3. 实物图 Physical Picture

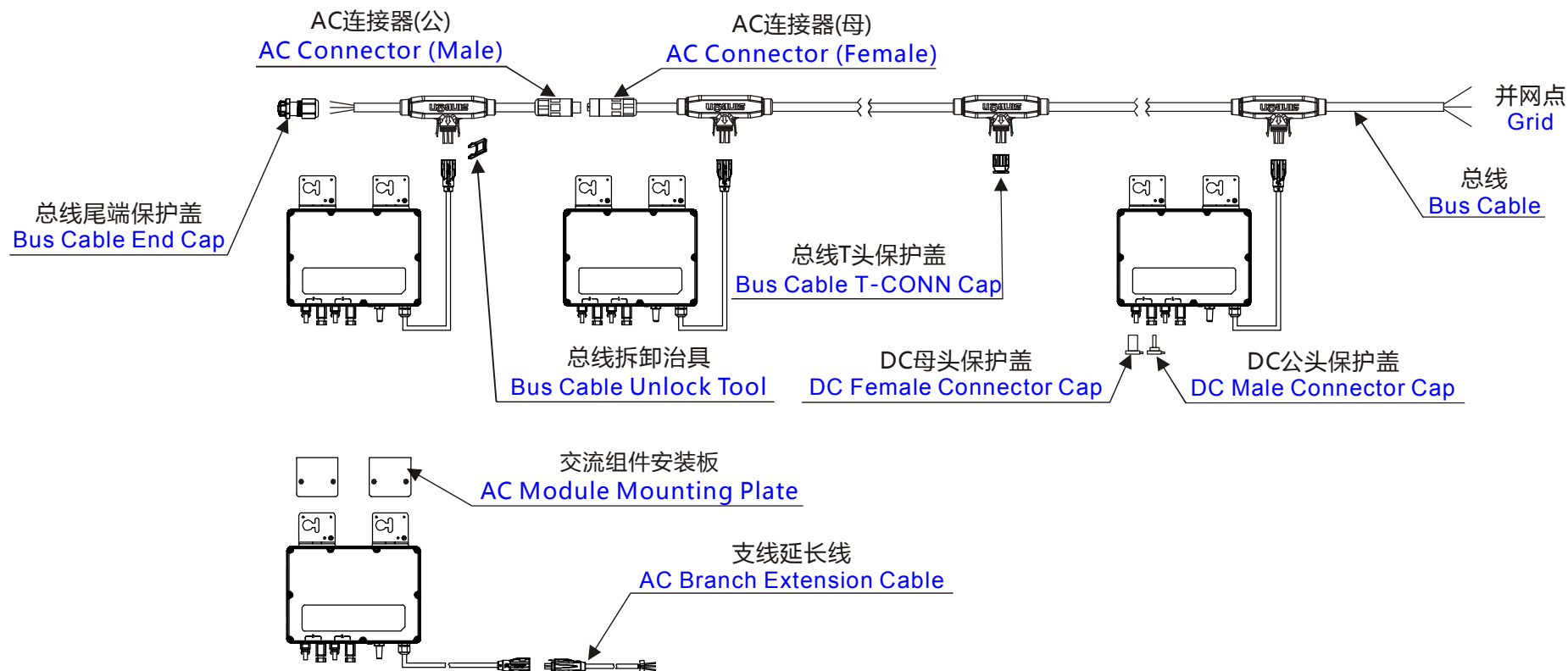
总线 Bus Cable	支线延长线 AC Branch Extension Cable	总线尾端保护盖 Bus Cable End Cap	总线 Y 头保护盖 Bus Cable Y-CONN Cap	总线拆卸治具 Bus Cable Unlock Tool	DC 公头保护盖 DC Male Connector Cap
 <p>图 A Pic. A</p>	 <p>图 B Pic. B</p>	 <p>图 C Pic. C</p>	 <p>图 D Pic. D</p>	 <p>图 E Pic. E</p>	 <p>图 F Pic. F</p>
DC 母头保护盖 DC Female Connector Cap	AC 连接器 (公) AC Connector (Male)	AC 连接器 (母) AC Connector (Female)	交流组件安装板 AC Module Mounting Plate		
 <p>图 G Pic. G</p>	 <p>图 H Pic. H</p>	 <p>图 I Pic. I</p>	 <p>图 J Pic. J</p>		

APsystems

APsystems Guadalajara:
 AV. Lazaro Cardenas 2850-5° Piso,
 Colonia Jardines del Bosque C.P. 44520, Guadalajara, Jalisco
 Tel: 52 (33)-3188-4604 | latam.APsistemas.com

YC600 配件 YC600 Accessory

1. 接线示意图 Wiring Diagram



APsystems

APsystems Guadalajara:
 AV. Lazaro Cardenas 2850-5° Piso,
 Colonia Jardines del Bosque C.P. 44520, Guadalajara, Jalisco
 Tel: 52 (33)-3188-4604 | latam.APsistemas.com

2. 配件汇总表 Accessories Summary

地区 Region		配件 Accessories									
		总线 (必配) Bus Cable (Mandatory)	支线延长线 (选配) AC Branch Extension Cable (Optional)	总线尾端保 护盖 (必配) Bus Cable End Cap (Mandatory)	总线 T 头保 护盖 (选配) Bus Cable T-CONN Cap (Optional)	总线拆卸治 具 (必配) Bus Cable Unlock Tool (Mandatory)	DC 公头保护 盖 (选配) DC Male Connector Cap(Optional)	DC 母头保护 盖 (选配) DC Female Connector Cap(Optional)	AC 连接器 (公)(选配) AC Connector (Male) (Optional)	AC 连接器 (母)(选配) AC Connector (Female) (Optional)	交流组件安装 板 (选配) AC Module Mounting Plate (Optional)
LATAM	墨西哥 Mexico -NA-MX (104005)	2322321352_三 芯总线(12AWG, TC-ER cUL,2m,黑 -红-绿) (见图 A) 2322321352_3-wire Bus Cable(12AWG, TC-ER cUL,2m,BK- RD-GN) (See Pic. A)	2334039112_三芯支 线延长线(18AWG, TC-ER cUL,2m,黑-红 -绿) (见图 B) 2334039112_3-wire Branch Extension Cable (18AWG,TC-ER cUL, 2m, BK-RD-GN) (See Pic. B)	2060700007 _三/四芯总 线尾端保护 盖 (见图 C) 2060700007_ 3/4-wire Bus Cable End Cap (See Pic. C)	2060632007 _三/四芯总 线 T 头保护盖 (见图 D) 2060632007_ 3/4-wire Bus Cable T-CONN Cap (See Pic. D)	2351000001 _三/四芯总 线拆卸治具 (见图 E) 2351000001_ 3/4-wire Bus Cable Unlock Tool (See Pic. E)	2060401006 _DC 公头保 护盖 (MC4) (见图 F) 2060401006_ DC Male Connector Cap (MC4) (See Pic. F)	2060402006 _DC 母头保 护盖 (MC4) (见图 G) 2060402006_ DC Female Connector Cap (MC4) (See Pic. G)	2300531032 _AC 连接器 (EN,三芯, 25A,公) (见图 H) 2300531032_ 25A AC Male Connector (EN,3-wire) (See Pic. H)	2300532032 _AC 连接器 (EN,三芯, 25A,母) (见图 I) 2300532032_ 25A AC Female Connector (EN,3-wire) (See Pic. I)	2160140014 _交流组件安 装板 (见图 J) 2160140014_ AC Module Mounting Plate (See Pic. J)
	其他 Others	2322321352_三 芯总线(12AWG, TC-ER cUL,2m,黑 -红-绿) (见图 A) 2322321352_3-wire Bus Cable(12AWG, TC-ER cUL,2m,BK- RD-GN) (See Pic. A) 2322300153_三 芯总线(2.5mm ² , PV07AC-F,2m,棕 -蓝-黄绿)(见图 A) 2322300153_3C Bus Cable(2.5mm ² ,PV, 2m,BN-BU-YG) (See Pic. A)	2334039112_三芯支 线延长线(18AWG, TC-ER cUL,2m,黑-红 -绿) (见图 B) 2334039112_3-wire Branch Extension Cable (18AWG,TC-ER cUL,2m, BK-RD-GN) (See Pic. B) 2334031132_三芯支 线延长线 (1.0mm ² , PV07AC-F,2m,棕-蓝 -黄绿) (见图 B) 2334031132_3C Br. Ext-Cable(1.0mm ² , PV,2m,BN-BU-YG) (See Pic. B)								

3. 实物图 Physical Picture

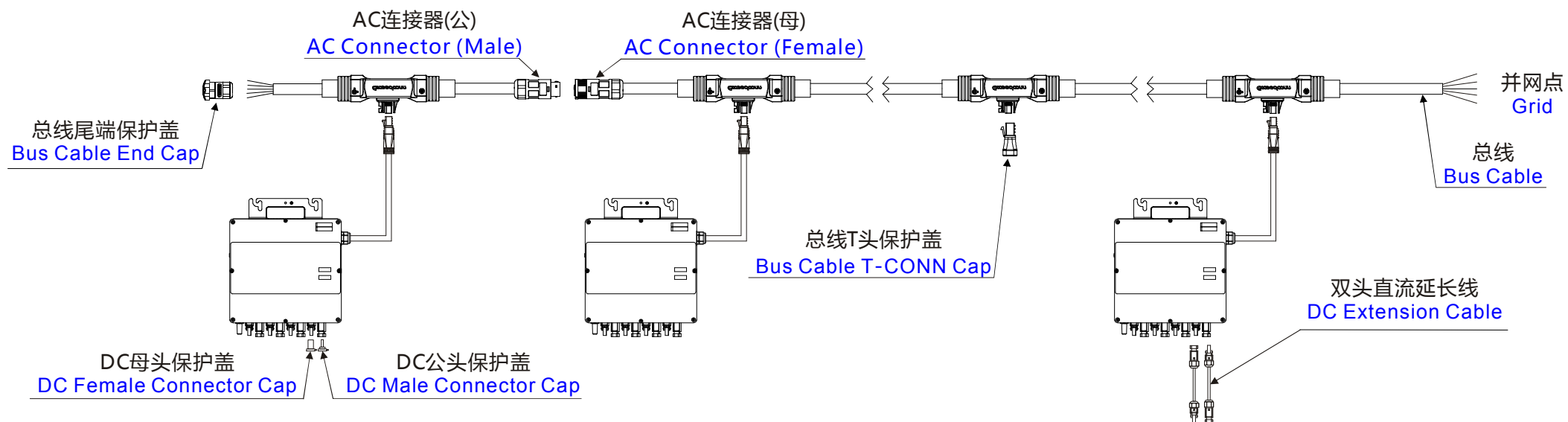
总线 Bus Cable	支线延长线 AC Branch Extension Cable	总线尾端保护盖 Bus Cable End Cap	总线 T 头保护盖 Bus Cable T-CONN Cap	总线拆卸治具 Bus Cable Unlock Tool	DC 公头保护盖 DC Male Connector Cap
 <p>图 A Pic. A</p>	 <p>图 B Pic. B</p>	 <p>图 C Pic. C</p>	 <p>图 D Pic. D</p>	 <p>图 E Pic. E</p>	 <p>图 F Pic. F</p>
DC 母头保护盖 DC Female Connector Cap	AC 连接器 (公) AC Connector (Male)	AC 连接器 (母) AC Connector (Female)	交流组件安装板 AC Module Mounting Plate		
 <p>图 G Pic. G</p>	 <p>图 H Pic. H</p>	 <p>图 I Pic. I</p>	 <p>图 J Pic. J</p>		

APsystems

APsystems Guadalajara:
 AV. Lazaro Cardenas 2850-5° Piso,
 Colonia Jardines del Bosque C.P. 44520, Guadalajara, Jalisco
 Tel: 52 (33)-3188-4604 | latam.APsistemas.com

YC1000-3 配件 YC1000-3 Accessory

1. 接线示意图 Wiring Diagram



APsystems

APsystems Guadalajara:
 AV. Lazaro Cardenas 2850-5° Piso,
 Colonia Jardines del Bosque C.P. 44520, Guadalajara, Jalisco
 Tel: 52 (33)-3188-4604 | latam.APsistemas.com

2. 配件汇总表 Accessories Summary

地区 Region	配件 Accessory							
	总线 (必配) Bus Cable (Mandatory)	总线尾端保护盖 (必配) Bus Cable End Cap (Mandatory)	总线 T 头保护盖 (选配) Bus Cable T-CONN Cap (Optional)	双头直流延长线 (选配) DC Extension Cable (Optional)	DC 公头保护盖 (选配) DC Male Connector Cap (Optional)	DC 母头保护盖 (选配) DC Female Connector Cap (Optional)	AC 连接器 (公) (选配) AC Connector (Male) (Optional)	AC 连接器 (母) (选配) AC Connector (Female) (Optional)
LATAM	墨西哥 Mexico -208-MX (103041)	2322302552_五芯总线(14AWG,TC-ER,2m,黑-红-蓝-白-绿) (见图 A) 2322302552_5-wire Bus Cable(14AWG,TC-ER,2m, BK-RD-BU-WT-GN) (See Pic. A) 2322402552_五芯总线(14AWG, TC-ER,4m,黑-红-蓝-白-绿) (见图 A) 2322402552_5-wire Bus Cable(14AWG,TC-ER,4m, BK-RD-BU-WT-GN) (See Pic. A)	2062050005_五芯总线尾端保护盖 (见图 B) 2062050005_5-wire Bus Cable End Cap (See Pic. B)	2061252032_五芯总线 T 头保护盖 (见图 C) 2061252032_5-wire Bus Cable T-CONN Cap (See Pic. C)	2310310274_1m 双头直流延长线 (MC4) (见图 D) 2310310274_1m DC Extension Cable (MC4) (See Pic. D) 2310360214_2m 双头直流延长线 (MC4) (见图 D) 2310360214_2m DC Extension Cable (MC4) (See Pic. D)	2060401006_DC 公头保护盖 (MC4) (见图 E) 2060401006_DC Male Connector Cap (MC4) (See Pic. E)	2060402006_DC 母头保护盖 (MC4) (见图 F) 2060402006_DC Female Connector Cap (MC4) (See Pic. F)	2300711032_AC 连接器 (EN,五芯, 25A,母) (见图 H) 2300711032_25A AC Female Connector (EN,5-wire) (See Pic. H) 2300812032_AC 连接器 (EN,五芯, 25A,母) (见图 H) 2300812032_25A AC Female Connector (EN,5-wire) (See Pic. H)
	巴西 Brazil -220 (103011) -380 (103040)	2322302652_五芯总线(14AWG,TC-ER,2m,棕-黑-灰-浅蓝-黄绿) (见图 A) 2322302652_5C Bus Cable(14AWG,TC,2m, BN-BK-GY-BU-YG) (See Pic. A) 2322402652_五芯总线(14AWG, TC-ER,4m,棕-黑-灰-浅蓝-黄绿) (见图 A) 2322402652_5C Bus Cable(14AWG,TC,4m, BN-BK-GY-BU-YG) (See Pic. A)	2062050005_五芯总线尾端保护盖 (见图 B) 2062050005_5-wire Bus Cable End Cap (See Pic. B)	2061252032_五芯总线 T 头保护盖 (见图 C) 2061252032_5-wire Bus Cable T-CONN Cap (See Pic. C)	2310310274_1m 双头直流延长线 (MC4) (见图 D) 2310310274_1m DC Extension Cable (MC4) (See Pic. D) 2310360214_2m 双头直流延长线 (MC4) (见图 D) 2310360214_2m DC Extension Cable (MC4) (See Pic. D)	2060401006_DC 公头保护盖 (MC4) (见图 E) 2060401006_DC Male Connector Cap (MC4) (See Pic. E)	2060402006_DC 母头保护盖 (MC4) (见图 F) 2060402006_DC Female Connector Cap (MC4) (See Pic. F)	2300711032_AC 连接器 (EN,五芯, 25A,公) (见图 G) 2300711032_25A AC Male Connector (EN,5-wire) (See Pic. G)

APsystems

APsystems Guadalajara:
 AV. Lazaro Cardenas 2850-5° Piso,
 Colonia Jardines del Bosque C.P. 44520, Guadalajara, Jalisco
 Tel: 52 (33)-3188-4604 | latam.APsistemas.com

地区 Region		配件 Accessory							
		总线 (必配) Bus Cable (Mandatory)	总线尾端保 护盖 (必配) Bus Cable End Cap (Mandatory)	总线 T 头保 护盖 (选配) Bus Cable T-CONN Cap (Optional)	双头直流延 长线 (选配) DC Extension Cable (Optional)	DC 公头保护 盖 (选配) DC Male Connector Cap(Optional)	DC 母头保护 盖 (选配) DC Female Connector Cap(Optional)	AC 连接器 (公)(选配) AC Connector (Male) (Optional)	AC 连接器 (母)(选配) AC Connector (Female) (Optional)
LATAM	其他 Others	2322302552_五芯总线(14AWG,TC-ER,2m,黑-红-蓝-白-绿) (见图 A) 2322302552_5-wire Bus Cable(14AWG,TC-ER,2m, BK-RD-BU-WT-GN) (See Pic. A)	2062050005_五芯总线尾端保护盖 (见图 B) 2062050005_5-wire Bus Cable End Cap (See Pic. B)	2061252032_五芯总线 T 头保护盖 (见图 C) 2061252032_5-wire Bus Cable T-CONN Cap (See Pic. C)	2310310274_1m 双头直流延长线 (MC4) (见图 D) 2310310274_1m DC Extension Cable (MC4) (See Pic. D)	2060401006_DC 公头保护盖 (MC4) (见图 E) 2060401006_DC Male Connector Cap (MC4) (See Pic. E)	2060402006_DC 母头保护盖 (MC4) (见图 F) 2060402006_DC Female Connector Cap (MC4) (See Pic. F)	2300711032_AC 连接器 (EN,五芯, 25A,公) (见图 G) 2300711032_25A AC Male Connector (EN,5-wire) (See Pic. G)	2300812032_AC 连接器 (EN,五芯, 25A,母) (见图 H) 2300812032_25A AC Female Connector (EN,5-wire) (See Pic. H)
		2322402552_五芯总线(14AWG,TC-ER,4m,黑-红-蓝-白-绿) (见图 A) 2322402552_5-wire Bus Cable(14AWG,TC-ER,4m, BK-RD-BU-WT-GN) (See Pic. A)			2310360214_2m 双头直流延长线 (MC4) (见图 D) 2310360214_2m DC Extension Cable (MC4) (See Pic. D)				
		2322302652_五芯总线(14AWG,TC-ER,2m,棕-黑-灰-浅蓝-黄绿) (见图 A) 2322302652_5C Bus Cable(14AWG,TC,2m, BN-BK-GY-BU-YG) (See Pic. A)							
		2322402652_五芯总线(14AWG,TC-ER,4m,棕-黑-灰-浅蓝-黄绿) (见图 A) 2322402652_5C Bus Cable(14AWG,TC,4m, BN-BK-GY-BU-YG) (See Pic. A)							

3. 实物图 Physical Picture

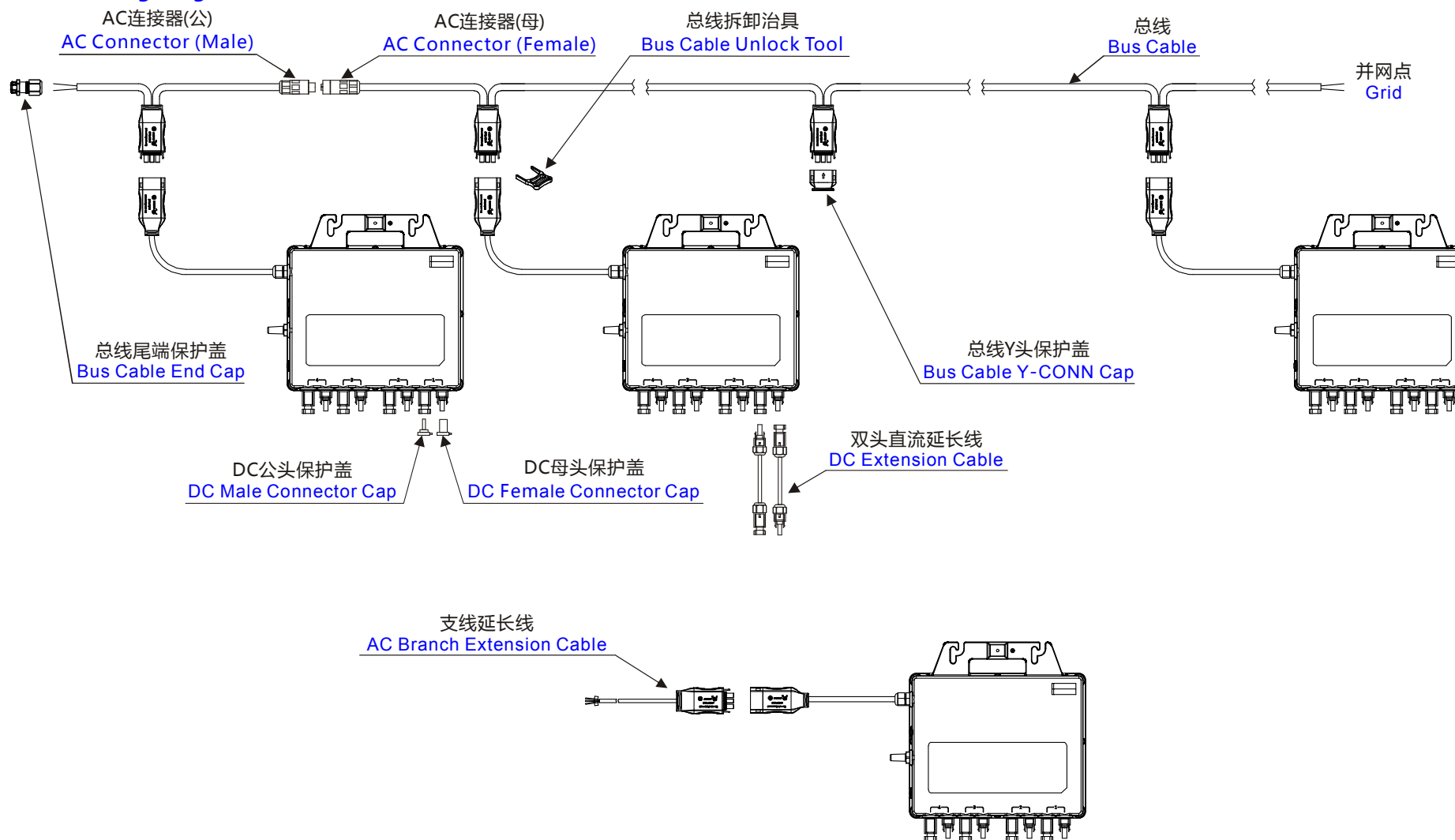
总线 Bus Cable	总线尾端保护盖 Bus Cable End Cap	总线 T 头保护盖 Bus Cable T-CONN Cap	双头直流延长线 DC Extension Cable	DC 公头保护盖 DC Male Connector Cap	DC 母头保护盖 DC Female Connector Cap
 <p>图 A Pic. A</p>	 <p>图 B Pic. B</p>	 <p>图 C Pic. C</p>	 <p>图 D Pic. D</p>	 <p>图 E Pic. E</p>	 <p>图 F Pic. F</p>
AC 连接器 (公) AC Connector (Male)	AC 连接器 (母) AC Connector (Female)				
 <p>图 G Pic. G</p>	 <p>图 H Pic. H</p>				

APsystems

APsystems Guadalajara:
 AV. Lazaro Cardenas 2850-5° Piso,
 Colonia Jardines del Bosque C.P. 44520, Guadalajara, Jalisco
 Tel: 52 (33)-3188-4604 | latam.APsistemas.com

QS1 配件 QS1 Accessory

1. 接线示意图 Wiring Diagram



APsystems

APsystems Guadalajara:
 AV. Lazaro Cardenas 2850-5° Piso,
 Colonia Jardines del Bosque C.P. 44520, Guadalajara, Jalisco
 Tel: 52 (33)-3188-4604 | latam.APsistemas.com

2. 配件汇总表 Accessories Summary

地区 Region		配件 Accessories									
		总线 (必配) Bus Cable (Mandatory)	支线延长线 (选配) AC Branch Extension Cable (Optional)	总线尾端保护 盖 (必配) Bus Cable End Cap (Mandatory)	总线 Y 头保护 盖 (选配) Bus Cable Y-CONN Cap (Optional)	总线拆卸治具 (必配) Bus Cable Unlock Tool (Mandatory)	DC 公头保护 盖 (选配) DC Male Connector Cap(Optional)	DC 母头保护 盖 (选配) DC Female Connector Cap (Optional)	AC 连接器 (公)(选配) AC Connector (Male) (Optional)	AC 连接器 (母)(选配) AC Connector (Female) (Optional)	交流组件安 装板 (选配) AC Module Mounting Plate (Optional)
LATAM	墨西哥 Mexico -NA-MX (109005)	2322304603_Y2 总线 (12AWG,TC-E R,cUL,2m,黑- 红) (见图 A) 2322304603_Y2 Bus Cable(12AWG,TCE R,cUL,2m,BK-RD) (See Pic. A)	2334072222_Y2 支 线延长线 (18AWG, TCER cUL, 2m, 黑- 红) (见图 B) 2334071112_Y2 Br. Ext-Cable(18 AWG,TCER cUL,2m, BK-RD) (See Pic. B)	2060700007 _三/四芯总线 尾端保护盖 (见图 C) 2060700007_ 3/4-wire Bus Cable End Cap (See Pic. C)	2061702007 _总线 Y 头保 护盖 (见图 D) 2061702007_ Bus Cable Y-CONN Cap (See Pic. D)	2352000001_ Y 总线拆卸治 具 (见图 E) 2352000001_ Y Bus Cable Unlock Tool (See Pic. E)	2060401006 _DC 公头保 护盖 (MC4) (见图 F) 2060401006_ DC Male Connector Cap (MC4) (See Pic. F)	2060402006 _DC 母头保 护盖 (MC4) (见图 G) 2060402006_D C Female Connector Cap (MC4) (See Pic. G)	2300531032 _AC 连接器 (EN,三芯, 25A,公) (见图 H) 2300531032_ 25A AC Male Connector (EN,3-wire) (See Pic. H)	2300532032 _AC 连接器 (EN,三芯, 25A,母) (见图 I) 2300532032_ 25A AC Female Connector (EN,3-wire) (See Pic. I)	2160140014 _交流组件安 装板 (见图 J) 2160140014_ AC Module Mounting Plate (See Pic. J)

APsystems

APsystems Guadalajara:
AV. Lazaro Cardenas 2850-5° Piso,
Colonia Jardines del Bosque C.P. 44520, Guadalajara, Jalisco
Tel: 52 (33)-3188-4604 | latam.APsistemas.com

配件 Accessories

地区 Region	配件 Accessories									
	总线 (必配) Bus Cable (Mandatory)	支线延长线 (选配) AC Branch Extension Cable (Optional)	总线尾端保 护盖 (必配) Bus Cable End Cap (Mandatory)	总线 Y 头保护 盖 (选配) Bus Cable Y-CONN Cap (Optional)	总线拆卸治具 (必配) Bus Cable Unlock Tool (Mandatory)	DC 公头保护 盖 (选配) DC Male Connector Cap (Optional)	DC 母头保护 盖 (选配) DC Female Connector Cap (Optional)	AC 连接器 (公) (选配) AC Connector (Male) (Optional)	AC 连接器 (母) (选配) AC Connector (Female) (Optional)	双头直流延长 线 (选配) DC Extension Cable (Optional)
LATAM 其他 Others	2322304703_ Y2 总线 (2.5mm ² ,PV0 7AC-F,2m,棕- 蓝) (见图 A) 2322304703_Y2 Bus Cable(2.5mm ² ,P V,2m,BN-BU) (See Pic. A)	2334071112_Y2 支线延长线 (2.5mm ² , PV07AC-F , 1m , 棕-蓝) (见图 B) 2334071112_Y2 Br. Ext-Cable(2.5mm ² ,P V,1m,BN-BU) (See Pic. B)	2060700007 _三/四芯总线 尾端保护盖 (见图 C) 2060700007_ 3/4-wire Bus Cable End Cap (See Pic. C)	2061702007 _总线 Y 头保 护盖 (见图 D) 2061702007_ Bus Cable Y-CONN Cap (See Pic. D)	2352000001 _Y 总线拆卸 治具 (见图 E) 2352000001_ Y Bus Cable Unlock Tool (See Pic. E)	2060401006 _DC 公头保护 盖 (MC4) (见图 F) 2060401006_ DC Male Connector Cap (MC4) (See Pic. F)	2060402006 _DC 母头保护 盖 (MC4) (见图 G) 2060402006_ DC Female Connector Cap (MC4) (See Pic. G)	2300531032 _ AC 连接器 (EN,三 芯,25A,公) (见图 H) 2300531032_ 25A AC Male Connector (EN,3-wire) (See Pic. H)	2300532032 _ AC 连接器 (EN,三 芯,25A,母) (见图 I) 2300532032_ 25A AC Female Connector (EN,3-wire) (See Pic. I)	2310310274 _1m 双头直 流延长线 (MC4) (见图 J) 2310310274_ 1m DC Extension Cable (MC4) (See Pic.J)
	2322304603_ Y2 总线 (12AWG,TC- ER cUL,2m,黑- 红) (见图 A) 2322304603_Y2 Bus Cable(12AWG,T CER,cUL,2m,BK- RD) (See Pic. A)	2334072222_Y2 支线延长线 (18AWG , TCER cUL , 2m , 黑-红) (见图 B) 2334071112_Y2 Br. Ext-Cable(18 AWG,TCER cUL,2m, BK-RD) (See Pic. B)								2310360214 _2m 双头直 流延长线 (MC4) (见图 J) 2310360214_ 2m DC Extension Cable (MC4) (See Pic. J)

3. 实物图 Physical Picture

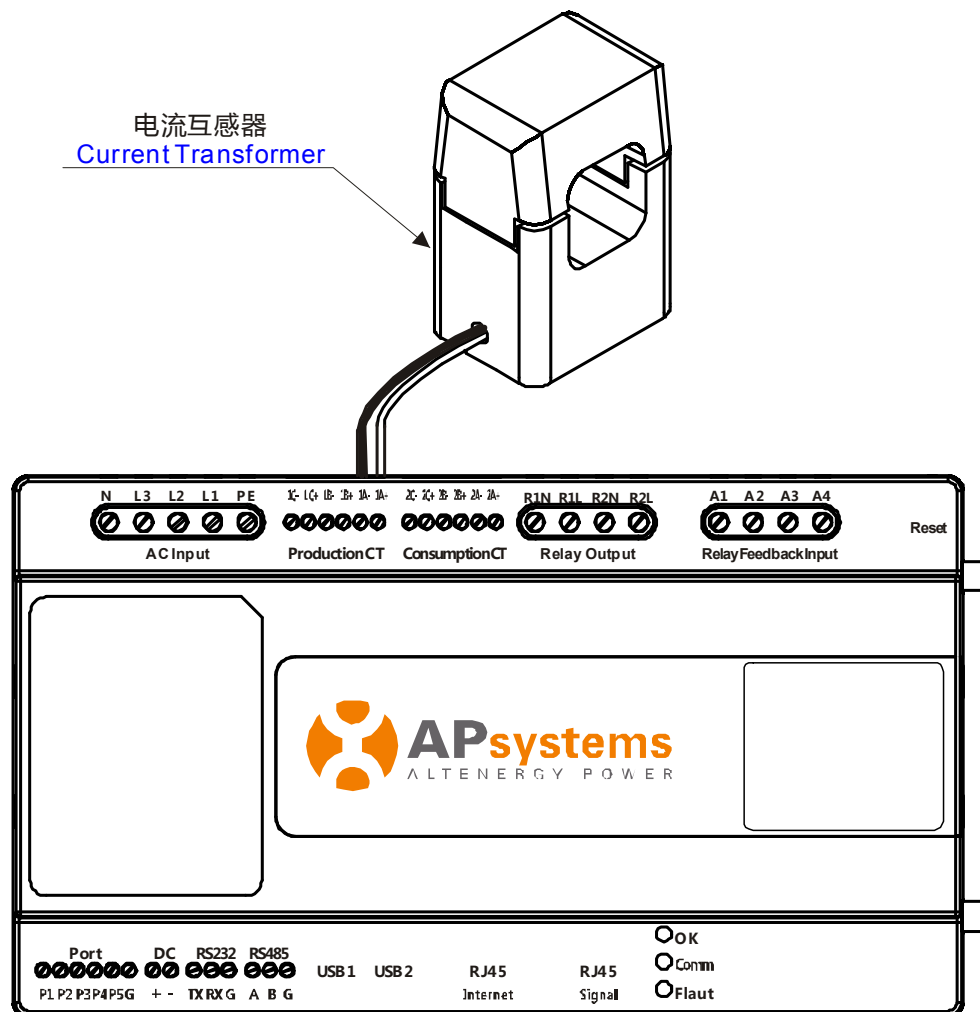
总线 Bus Cable	支线延长线 AC Branch Extension Cable	总线尾端保护盖 Bus Cable End Cap	总线 Y 头保护盖 Bus Cable Y-CONN Cap	总线拆卸治具 Bus Cable Unlock Tool	DC 公头保护盖 DC Male Connector Cap
 <p>图 A Pic. A</p>	 <p>图 B Pic. B</p>	 <p>图 C Pic. C</p>	 <p>图 D Pic. D</p>	 <p>图 E Pic. E</p>	 <p>图 F Pic. F</p>
DC 母头保护盖 DC Female Connector Cap	AC 连接器 (公) AC Connector (Male)	AC 连接器 (母) AC Connector (Female)	双头直流延长线 DC Extension Cable		
 <p>图 G Pic. G</p>	 <p>图 H Pic. H</p>	 <p>图 I Pic. I</p>	 <p>图 J Pic. J</p>		

APsystems

APsystems Guadalajara:
 AV. Lazaro Cardenas 2850-5° Piso,
 Colonia Jardines del Bosque C.P. 44520, Guadalajara, Jalisco
 Tel: 52 (33)-3188-4604 | latam.APsistemas.com

ECU-C 配件 ECU-C Accessory

1. 接线示意图 Wiring Diagram



APsystems

APsystems Guadalajara:
AV. Lazaro Cardenas 2850-5° Piso,
Colonia Jardines del Bosque C.P. 44520, Guadalajara, Jalisco
Tel: 52 (33)-3188-4604 | latam.APsistemas.com

2. 配件汇总表 Accessories Summary

地区 Region	配件 Accessory
LATAM	<p style="text-align: center;">电流互感器 (选配) Current Transformer (Optional)</p> <p>18083020112_电流互感器(80A/26.6mA) (见图 A) 18083020112_Current Transformer(80A/26.6mA) (See Pic. A) 18083020012_电流互感器(200A/66.6mA) (见图 B) 18083020012_Current Transformer(200A/66.6mA) (See Pic. B)</p>

3. 实物图 Physical Picture

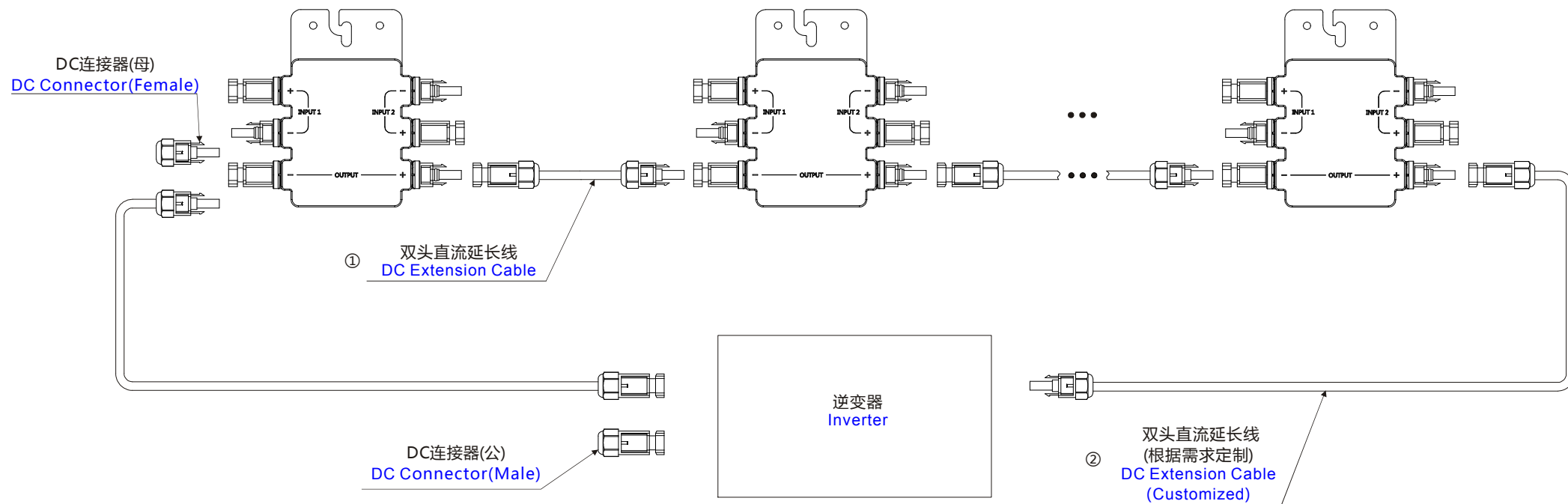


APsystems

APsystems Guadalajara:
 AV. Lazaro Cardenas 2850-5° Piso,
 Colonia Jardines del Bosque C.P. 44520, Guadalajara, Jalisco
 Tel: 52 (33)-3188-4604 | latam.APsistemas.com

OPT700 配件 OPT700 Accessory

1. 接线示意图 Wiring Diagram



APsystems

APsystems Guadalajara:
 AV. Lazaro Cardenas 2850-5° Piso,
 Colonia Jardines del Bosque C.P. 44520, Guadalajara, Jalisco
 Tel: 52 (33)-3188-4604 | latam.APsistemas.com

2. 配件汇总表 Accessories Summary

地区 Region	配件 Accessory			
	① 双头直流延长线 (必配) DC Extension Cable (Mandatory)	② 双头直流延长线 (选配) DC Extension Cable (Optional)	DC 连接器 (公) (选配) DC Connector(Male) (Optional)	DC 连接器 (母) (选配) DC Connector(Female) (Optional)
LATAM (401000)	2311610208_1m 双头直流延长线(BC03A) 2311610238_2m 双头直流延长线(BC03A) (见图 A) 2311610208_1m DC Extension Cable(BC03A) 2311610238_2m DC Extension Cable(BC03A) (See Pic. A)	根据需求定制 (见图 A) Customized (See Pic. A)	2055114011_DC 连接器 (MC4 公) (见图 B) 2055114011_DC Connector (MC4 Male) (See Pic. B)	2055124011_DC 连接器 (MC4 母) (见图 C) 2055124011_DC Connector (MC4 Female) (See Pic. C)

3. 实物图 Physical Picture

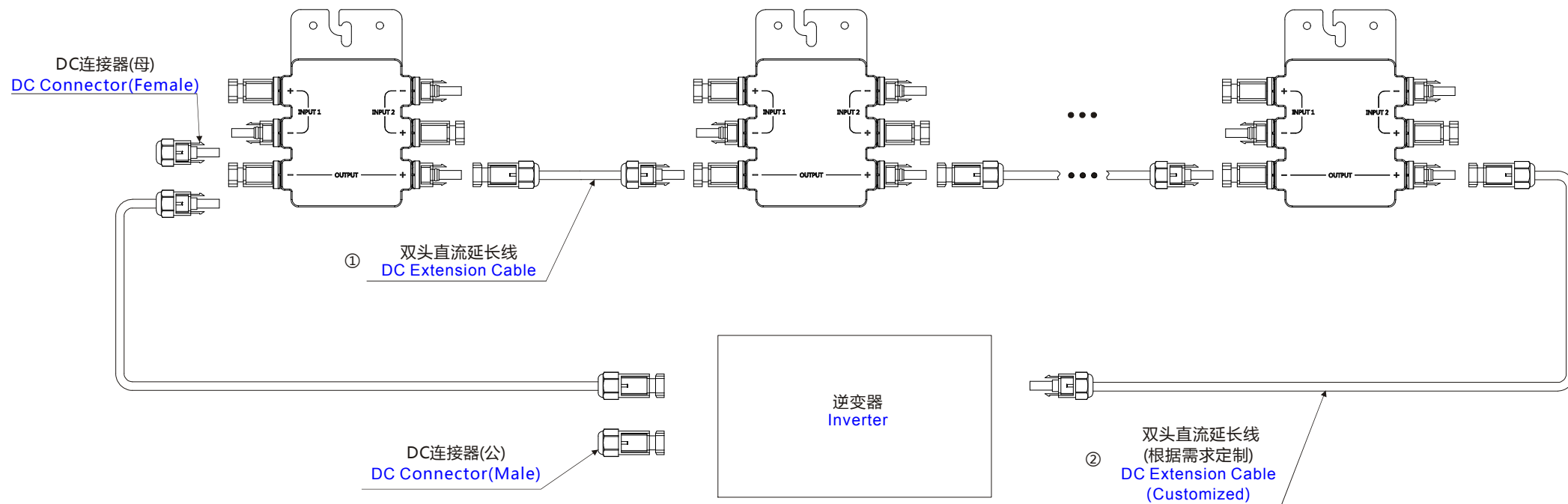
双头直流延长线 DC Extension Cable	DC 连接器 (公) DC Connector(Male)	DC 连接器 (母) DC Connector(Female)
		
图 A Pic. A	图 B Pic. B	图 C Pic. C

APsystems

APsystems Guadalajara:
AV. Lazaro Cardenas 2850-5° Piso,
Colonia Jardines del Bosque C.P. 44520, Guadalajara, Jalisco
Tel: 52 (33)-3188-4604 | latam.APsistemas.com

OPT700-RS 配件 OPT700-RS Accessory

1. 接线示意图 Wiring Diagram



APsystems

APsystems Guadalajara:
 AV. Lazaro Cardenas 2850-5° Piso,
 Colonia Jardines del Bosque C.P. 44520, Guadalajara, Jalisco
 Tel: 52 (33)-3188-4604 | latam.APsistemas.com

2. 配件汇总表 Accessories Summary

地区 Region	配件 Accessory			
	① 双头直流延长线 (必配) DC Extension Cable (Mandatory)	② 双头直流延长线 (选配) DC Extension Cable (Optional)	DC 连接器 (公) (选配) DC Connector(Male) (Optional)	DC 连接器 (母) (选配) DC Connector(Female) (Optional)
LATAM (402000)	2311610208_1m 双头直流延长线(BC03A) 2311610238_2m 双头直流延长线(BC03A) (见图 A) 2311610208_1m DC Extension Cable(BC03A) 2311610238_2m DC Extension Cable(BC03A) (See Pic. A)	根据需求定制 (见图 A) Customized (See Pic. A)	2055114011_DC 连接器 (MC4 公) (见图 B) 2055114011_DC Connector (MC4 Male) (See Pic. B)	2055124011_DC 连接器 (MC4 母) (见图 C) 2055124011_DC Connector (MC4 Female) (See Pic. C)

3. 实物图 Physical Picture

双头直流延长线 DC Extension Cable	DC 连接器 (公) DC Connector(Male)	DC 连接器 (母) DC Connector(Female)
		
图 A Pic. A	图 B Pic. B	图 C Pic. C

APsystems

APsystems Guadalajara:
AV. Lazaro Cardenas 2850-5° Piso,
Colonia Jardines del Bosque C.P. 44520, Guadalajara, Jalisco
Tel: 52 (33)-3188-4604 | latam.APsistemas.com

版本修订历史记录		
版本	修订内容	修订日期
REV1.7	添加机型，添加变更履历表	2017-04-26
REV1.8	添加 article no.；更新 YC500A-NA-MX 机型的尾电缆和延长线料号	2017-07-31
REV1.9	添加 YC600 机型	2017-09-06
REV2.0	YC500A 尾电缆和延长线变更；YC500I 总线和支线延长线变更；YC500I/YC600 T 头保护盖更新； YC1000-3 2m 总线删除	2017-12-14
REV2.1	区域调整，删除加拿大；更改 YC500I/YC600 支线延长线（棕-蓝-黄绿）英文名；更改地区名	2017-12-25
REV2.2	YC500I 增加三芯连接器；增加 ECU-C 配件/OPT700 配件/OPT700-RS 配件/QS1200 配件；联系地址更新；更新 YC1000-3 接线图，增加 YC1000-3 2m 总线	2018-03-20
REV2.3	YC500A 接线图变更，QS1200 总线变更为 2 芯，新增支线延长线，YC1000 五芯总线尾端保护盖变更	2018-04-28
REV2.4	新增 YC600（Y）机型	2018-05-04
REV2.5	新增 YC1000&QS1200 双头直流延长线料号	2018-05-11
REV2.6	YC600（Y）接线示意图更新，QS1200 名称变更为 QS1，Y2 支线延长线料号更新	2018-07-26
编制：于彩美	日期：2018-07-26	APsystems APsystems Guadalajara: AV. Lazaro Cardenas 2850-5° Piso, Colonia Jardines del Bosque C.P. 44520, Guadalajara, Jalisco Tel: 52 (33)-3188-4604 latam.APsistemas.com
审核：陈天星	日期：2018-07-26	