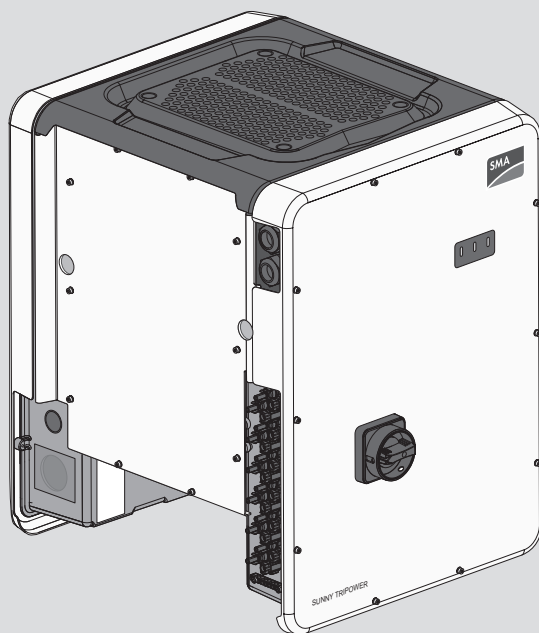


# SUNNY TRIPOWER CORE1-US

STP 33-US-41 / STP 50-US-41 / STP 62-US-41



ENGLISH

Installation Manual

ESPAÑOL

Instrucciones de instalación

FRANÇAIS

Instructions d'installation



## Legal Provisions

The information contained in these documents is the property of SMA Solar Technology AG. No part of this document may be reproduced, stored in a retrieval system, or transmitted, in any form or by any means, be it electronic, mechanical, photographic, magnetic or otherwise, without the prior written permission of SMA Solar Technology AG. Internal reproduction used solely for the purpose of product evaluation or other proper use is allowed and does not require prior approval.

SMA Solar Technology AG makes no representations or warranties, express or implied, with respect to this documentation or any of the equipment and/or software it may describe, including (with no limitation) any implied warranties of utility, merchantability, or fitness for any particular purpose. All such representations or warranties are expressly disclaimed. Neither SMA Solar Technology AG nor its distributors or dealers shall be liable for any indirect, incidental, or consequential damages under any circumstances.

The exclusion of implied warranties may not apply in all cases under some statutes, and thus the above exclusion may not apply.

Specifications are subject to change without notice. Every attempt has been made to make this document complete, accurate and up-to-date. Readers are cautioned, however, that product improvements and field usage experience may cause SMA Solar Technology AG to make changes to these specifications without advance notice, or per contract provisions in those cases where a supply agreement requires advance notice. SMA Solar Technology AG shall not be responsible for any damages, including indirect, incidental or consequential damages, caused by reliance on the material presented, including, but not limited to, omissions, typographical errors, arithmetical errors or listing errors in the content material.

### SMA Warranty

You can download the current warranty conditions from the Internet at [www.SMA-Solar.com](http://www.SMA-Solar.com).

### Software licenses

The licenses for the used software modules can be called up on the user interface of the product.

### Trademarks

All trademarks are recognized, even if not explicitly identified as such. Missing designations do not mean that a product or brand is not a registered trademark.

### SMA Solar Technology AG

Sonnenallee 1

34266 Niestetal

Germany

Tel. +49 561 9522-0

Fax +49 561 9522-100

[www.SMA.de](http://www.SMA.de)

Email: [info@SMA.de](mailto:info@SMA.de)

Status: 1/9/2019

Copyright © 2018 SMA Solar Technology AG. All rights reserved.

# Table of Contents

<b>1</b>	<b>Information on this Document .....</b>	<b>5</b>
1.1	Validity .....	5
1.2	Target Group .....	5
1.3	Content and Structure of this Document .....	5
1.4	Levels of warning messages .....	5
1.5	Symbols in the Document .....	6
1.6	Typographies in the document .....	6
1.7	Designation in the document .....	6
1.8	Additional Information .....	6
<b>2</b>	<b>Safety .....</b>	<b>8</b>
2.1	Intended Use .....	8
2.2	IMPORTANT SAFETY INSTRUCTIONS.....	9
<b>3</b>	<b>Scope of Delivery .....</b>	<b>12</b>
<b>4</b>	<b>Product Overview .....</b>	<b>13</b>
4.1	Product Description .....	13
4.2	Symbols on the Product .....	14
4.3	Interfaces and Functions .....	15
4.4	LED Signals.....	19
<b>5</b>	<b>Mounting.....</b>	<b>20</b>
5.1	Requirements for Mounting .....	20
5.2	Mounting the Inverter.....	24
<b>6</b>	<b>Electrical Connection .....</b>	<b>26</b>
6.1	Overview of the Connection Area .....	26
6.2	AC Connection.....	27
6.2.1	Requirements for the AC Connection .....	27
6.2.2	Connecting the Inverter to the Utility Grid .....	28
6.3	Connecting the Network Cables.....	30
6.4	Connecting the Multifunction Relay .....	32
6.4.1	Procedure for connecting the multifunction relay .....	32
6.4.2	Operating Modes of the Multifunction Relay .....	32
6.4.3	Connection Options .....	33
6.4.4	Connection to the Multifunction Relay .....	36
6.5	DC Connection.....	38
6.5.1	Requirements for the DC Connection .....	38
6.5.2	Assembling the DC Connectors.....	39

6.5.3	Connecting the PV Array.....	39
<b>7</b>	<b>Commissioning .....</b>	<b>42</b>
7.1	Commissioning Procedure .....	42
7.2	Commissioning the Inverter.....	42
7.3	Establishing a connection to the user interface .....	44
7.3.1	Establishing a Direct Connection via Ethernet .....	44
7.3.2	Establishing a direct connection via WLAN .....	44
7.3.3	Establishing a Connection via Ethernet in the local network .....	46
7.3.4	Establishing a Connection via WLAN in the Local Network .....	47
7.4	Logging Into the User Interface .....	48
7.5	Selecting a configuration option .....	49
7.6	Adjustable Parameters .....	51
<b>8</b>	<b>Disconnecting the Inverter from Voltage Sources .....</b>	<b>53</b>
<b>9</b>	<b>Decommissioning the Inverter.....</b>	<b>55</b>
<b>10</b>	<b>Technical Data .....</b>	<b>58</b>
<b>11</b>	<b>Compliance Information .....</b>	<b>64</b>
<b>12</b>	<b>Contact .....</b>	<b>65</b>

# 1 Information on this Document

## 1.1 Validity

This document is valid for:

- STP 33-US-41 (Sunny Tripower CORE1-US)
- STP 50-US-41 (Sunny Tripower CORE1-US)
- STP 62-US-41 (Sunny Tripower CORE1-US)

## 1.2 Target Group

The tasks described in this document must only be performed by qualified persons. Qualified persons must have the following skills:

- Knowledge of how an inverter works and is operated
- Training in how to deal with the dangers and risks associated with installing, repairing and using electrical devices and installations
- Training in the installation and commissioning of electrical devices and installations
- Knowledge of all applicable laws, standards and directives
- Knowledge of and compliance with this document and all safety information

## 1.3 Content and Structure of this Document

This document describes the installation, commissioning and decommissioning of the product.

The latest version of this document and the manual for operating the user interface as well as information on configuration and troubleshooting of the product are to be found in PDF format and as eManual at [www.SMA-Solar.com](http://www.SMA-Solar.com). You will find the QR code that links to the eManual on the title page of this document. You can also call up the eManual via the user interface of the product.

Illustrations in this document are reduced to the essential information and may deviate from the real product.

## 1.4 Levels of warning messages




The following levels of warning messages may occur when handling the product.

 <b>DANGER</b>
Indicates a hazardous situation which, if not avoided, will result in death or serious injury.
 <b>WARNING</b>
Indicates a hazardous situation which, if not avoided, could result in death or serious injury.
 <b>CAUTION</b>
Indicates a hazardous situation which, if not avoided, could result in minor or moderate injury.

## NOTICE

Indicates a situation which, if not avoided, can result in property damage.

## 1.5 Symbols in the Document

Symbol	Explanation
	Information that is important for a specific topic or goal, but is not safety-relevant
<input type="checkbox"/>	Indicates a requirement for meeting a specific goal
<input checked="" type="checkbox"/>	Desired result
	A problem that might occur
	Example

## 1.6 Typographies in the document

Typography	Use	Example
<b>bold</b>	<ul style="list-style-type: none"> <li>Messages</li> <li>Terminals</li> <li>Elements on a user interface</li> <li>Elements to be selected</li> <li>Elements to be entered</li> </ul>	<ul style="list-style-type: none"> <li>Connect the insulated conductors to the terminals <b>X703:1</b> to <b>X703:6</b>.</li> <li>Enter <b>10</b> in the field <b>Minutes</b>.</li> </ul>
>	<ul style="list-style-type: none"> <li>Connects several elements to be selected</li> </ul>	<ul style="list-style-type: none"> <li>Select <b>Settings &gt; Date</b>.</li> </ul>
[Button] [Key]	<ul style="list-style-type: none"> <li>Button or key to be selected or pressed</li> </ul>	<ul style="list-style-type: none"> <li>Select <b>[Enter]</b>.</li> </ul>

## 1.7 Designation in the document

Complete designation	Designation in this document
Sunny Tripower CORE1-US	Inverter, product

## 1.8 Additional Information

For more information, please go to [www.SMA-Solar.com](http://www.SMA-Solar.com).

Title and information content	Type of information
Operation, configuration and troubleshooting	User manual (eManual)
"Application for SMA Grid Guard Code"	Form

Title and information content	Type of information
"PUBLIC CYBER SECURITY - Guidelines for a Secure PV System Communication"	Technical information
"Efficiency and Derating" Efficiency and derating behavior of the SMA inverters	Technical Information
"Grid Support Utility Interactive Inverters" Information about how to activate and to set the grid supporting features according to UL 1741 SA	Technical Information
"Short-Circuit Currents" Information on short-circuit currents of SMA PV inverters	Technical Information
"Parameters and Measured Values" Overview of all inverter operating parameters and their configuration options	Technical Information
"SMA and SunSpec Modbus® Interface" Information on the Modbus interface	Technical Information
"Modbus® parameters and measured values" Device-specific register HTML file	Technical Information
"Integrated Plant Control and Q on Demand 24/7" Detailed explanation of functions and description for setting the functions	Technical Information
"Temperature Derating"	Technical Information

## 2 Safety

### 2.1 Intended Use

The Sunny Tripower is a transformerless PV inverter, with 6 MPP trackers, that converts the direct current of the PV array to grid-compliant, three-phase current and feeds it into the utility grid.

The product is suitable for indoor and outdoor use.

The product must only be operated with PV arrays (PV modules and cabling) that are approved by the electrical standards applicable on-site and the *National Electrical Code*® ANSI/NFPA 70 or the *Canadian Electrical Code*® CSA C22.1.

#### **i** No galvanic isolation

The product is not equipped with a transformer and therefore has no galvanic isolation.

- Do not operate grounded PV modules together with the product. If grounded PV modules are connected to the product, an event will occur. The event will be displayed, along with the associated message, in the event list on the user interface of the product.
- Only ground the mounting frames of the PV modules.
- The neutral conductor of the AC output is grounded within the product as standard. When connecting a utility grid with neutral conductor, the bridge between the neutral conductor of the AC output and the enclosure must be removed.

PV modules with a high capacity to ground may only be used if their coupling capacity does not exceed 12.6 µF.

All components must remain within their permitted operating ranges and their installation requirements at all times.

The product is approved for the USA market.

Use this product only in accordance with the information provided in the enclosed documentation and with the locally applicable laws, regulations, standards and directives. Any other application may cause personal injury or property damage.

Alterations to the product, e.g. changes or modifications, are only permitted with the express written permission of SMA Solar Technology AG. Unauthorized alterations will void guarantee and warranty claims and in most cases terminate the operating license. SMA Solar Technology AG shall not be held liable for any damage caused by such changes.

Any use of the product other than that described in the Intended Use section does not qualify as the intended use.

The enclosed documentation is an integral part of this product. Keep the documentation in a convenient, dry place for future reference and observe all instructions contained therein.

This document does not replace and is not intended to replace any local, state, provincial, federal or national laws, regulations or codes applicable to the installation, electrical safety and use of the product. SMA Solar Technology AG assumes no responsibility for the compliance or non-compliance with such laws or codes in connection with the installation of the product.

The type label must remain permanently attached to the product.



## 2.2 IMPORTANT SAFETY INSTRUCTIONS

### SAVE THESE INSTRUCTIONS

This section contains safety information that must be observed at all times when working on or with the product.

The product has been designed and tested in accordance with international safety requirements. As with all electrical or electronic devices, there are residual risks despite careful construction. To prevent personal injury and property damage and to ensure long-term operation of the product, read this section carefully and observe all safety information at all times.

#### DANGER

##### **Danger to life due to electric shock when live components or DC conductors are touched**

When exposed to sunlight, the PV modules generate high DC voltage which is present in the DC conductors. Touching live DC conductors results in death or lethal injuries due to electric shock.

- Disconnect the product from voltage sources and make sure it cannot be reconnected before working on the device.
- Do not touch non-insulated parts or cables.
- Do not disconnect the DC connectors under load.
- Wear suitable personal protective equipment for all work on the product.

#### DANGER

##### **Danger to life due to electric shock from touching an ungrounded PV module or array frame**

Touching ungrounded PV modules or array frames results in death or lethal injuries due to electric shock.

- Connect and ground the frame of the PV modules, the array frame and the electrically conductive surfaces so that there is continuous conduction. Observe the applicable local regulations.

#### DANGER

##### **Danger to life due to electric shock when touching live system components in case of a ground fault**

If a ground fault occurs, parts of the system may still be live. Touching live parts and cables results in death or lethal injuries due to electric shock.

- Disconnect the product from voltage sources and make sure it cannot be reconnected before working on the device.
- Touch the cables of the PV array on the insulation only.
- Do not touch any parts of the substructure or frame of the PV array.
- Do not connect PV strings with ground faults to the inverter.
- Ensure that no voltage is present and wait five minutes before touching any parts of the PV system or the product.

**⚠ DANGER****Danger to life due to electric shock in case of overvoltages and if surge protection is missing**

Overvoltages (e. g. in the event of a flash of lightning) can be further conducted into the building and to other connected devices in the same network via the network cables or other data cables if there is no surge protection. Touching live parts and cables results in death or lethal injuries due to electric shock.

- Ensure that all devices in the same network are integrated in the existing overvoltage protection.
- When laying the network cable outdoors, ensure that there is suitable surge protection at the network cable transition from the product outdoors to the network inside the building.
- The Ethernet interface of the inverter is classified as "TNV-1" and offers protection against overvoltages of up to 1.5 kV.

**⚠ CAUTION****Risk of burns due to hot enclosure parts**

The enclosure and the enclosure lid may get hot during operation. The DC load-break switch can not become hot.

- Do not touch hot surfaces.
- Wait until the inverter has cooled down before touching the enclosure or enclosure lid.

**⚠ CAUTION****Risk of fire**

- To reduce the risk of fire, connect only to a circuit provided with maximum branch-circuit overcurrent protection 100 A in accordance with the *National Electrical Code*® ANSI/NFPA 70 or the *Canadian Electrical Code*® CSA C22.1.

**NOTICE****Damage to the enclosure seal in subfreezing conditions**

If you open the product when temperatures are below freezing, the enclosure seals can be damaged. Moisture can penetrate the product and damage it.

- Only open the product if the ambient temperature is not below -5 °C (23 °F).
- If a layer of ice has formed on the enclosure seal when temperatures are below freezing, remove it prior to opening the product (e.g. by melting the ice with warm air). Observe the applicable safety regulations.

**NOTICE****Damage to the product due to sand, dust and moisture ingress**

Sand, dust and moisture penetration can damage the product and impair its functionality.

- Only open the product if the humidity is within the thresholds and the environment is free of sand and dust.
- Do not open the product during a dust storm or precipitation.
- Close tightly all enclosure openings.
- Only use listed rain-tight or liquid-tight conduit fittings to attach the conduits to the product.

**NOTICE****Damage due to cleaning agents**

The use of cleaning agents may cause damage to the product and its components.

- Clean the product and all its components only with a cloth moistened with clear water.

**NOTICE****Damage to the inverter due to electrostatic discharge**

Touching electronic components can cause damage to or destroy the inverter through electrostatic discharge.

- Ground yourself before touching any component.

**NOTICE****Destruction of the measuring device due to overvoltage**

- Only use measuring devices with a DC input voltage range of 1000 V or higher.

**i Electrical installations (for North America)**

All installations must conform with the laws, regulations, codes and standards applicable in the jurisdiction of installation (e.g. *National Electrical Code*® ANSI/NFPA 70 or *Canadian Electrical Code*® CSA-C22.1.).

- Before connecting the product to the utility grid, contact your local grid operator. The electrical connection of the product must be carried out by qualified persons only.
- Ensure that the cables or conductors used for electrical connection are not damaged.

### 3 Scope of Delivery

Check the scope of delivery for completeness and any externally visible damage. Contact your distributor if the scope of delivery is incomplete or damaged.

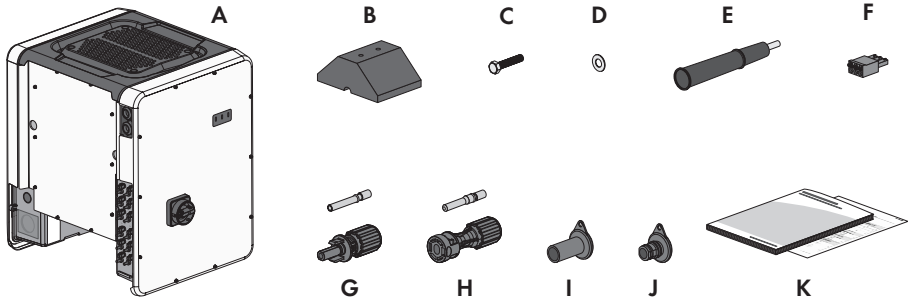


Figure 1 : Components included in the scope of delivery

Position	Quantity	Designation
A	1	Inverter
B	4	Foot
C	8	Hexagon screw M8x40
D	8	Washer
E	4	Carry handle
F	1	3-pole terminal block for the connection to the multifunction relay
G	12	Negative DC connector and cold-formed contact ferrule*
H	12	Positive DC connector and cold-formed contact ferrule*
I	12	Sealing plug for negative DC connectors
J	12	Sealing plug for positive DC connectors
K	1	Installation manual, production test report

\* Connector type: UTX from Amphenol Industrial Solar Technologies

## 4 Product Overview

### 4.1 Product Description

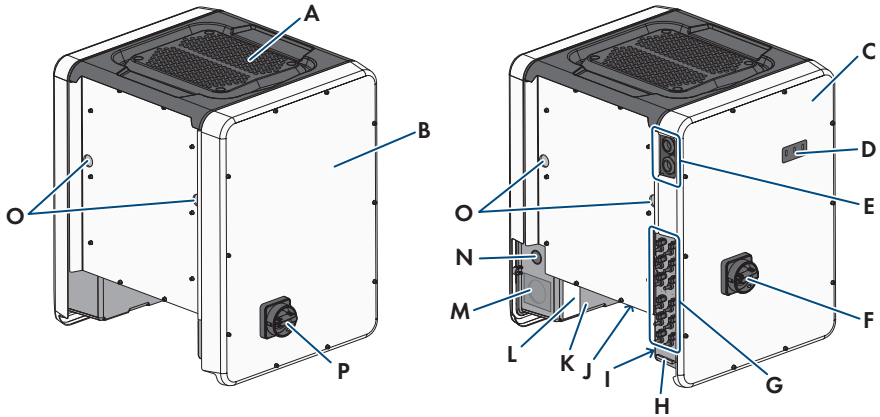











Figure 2 : Design of the Product

Position	Designation
A	Cover
B	AC Connection Unit
C	DC Connection Unit
D	LEDs The LEDs indicate the operating state of the inverter.
E	Cable glands for data cables
F	DC load-break switch
G	DC connector
H	Equipment grounding bar for the equipment grounding conductor of the PV array
I	Warning label with compliance information
J	Fan bracket with three fans

Position	Designation
K	<p>Type label</p> <p>The type label clearly identifies the product. The type label must remain permanently attached to the product. You will find the following information on the type label:</p> <ul style="list-style-type: none"> <li>• Device type (Model)</li> <li>• Serial number (Serial No. or S/N)</li> <li>• Date of manufacture</li> <li>• Device-specific characteristics</li> </ul>
L	<p>Additional label with details for registration in Sunny Portal and WLAN password:</p> <ul style="list-style-type: none"> <li>• Identification key (PIC) for registration in Sunny Portal</li> <li>• Registration ID (RID) for registration in Sunny Portal</li> <li>• WLAN password (WPA2-PSK) for the direct connection to the user interface of the inverter via WLAN</li> </ul>
M	Enclosure opening for AC connection
N	Enclosure opening for additional cable
O	Enclosure opening for carrying handle
P	AC load-break switch

## 4.2 Symbols on the Product

Symbol	Explanation
	<p>Beware of electrical voltage</p> <p>The product operates at high voltages.</p>
	<p>Beware of hot surface</p> <p>The product can get hot during operation.</p>
	<p>Observe the documentation</p> <p>Observe all documentation supplied with the product.</p>
	<p>Observe the documentation</p> <p>Together with the red LED, this symbol indicates an error.</p>
	<p>Inverter</p> <p>Together with the green LED, this symbol indicates the operating state of the inverter.</p>

Symbol	Explanation
	Data transmission Together with the blue LED, this symbol indicates the status of the network connection.
	Equipment Grounding Terminal This symbol indicates the position for the connection of an equipment grounding conductor.
	Grounding This symbol indicates the position for the connection of an additional equipment grounding conductor.
	UL 1741 and CSA C22.2 No. 107.1 are the standards applied by Underwriters Laboratories to the product to certify that it meets the requirements of the <i>National Electrical Code</i> ®, the <i>Canadian Electrical Code</i> ® and IEEE 1547.

### 4.3 Interfaces and Functions

The inverter can be equipped or retrofitted with the following interfaces and functions:

#### User interface for monitoring and configuration

The product is equipped as standard with an integrated webserver, which provides a user interface for configuring and monitoring the product. The product user interface can be called up via the web browser if there is an existing connection to an end device (e.g. computer, tablet PC or smartphone).

#### SMA Speedwire

The product is equipped with SMA Speedwire as standard. SMA Speedwire is a type of communication based on the Ethernet standard. SMA Speedwire is designed for a data transfer rate of 100 Mbps and enables optimum communication between Speedwire devices within systems.

#### SMA Webconnect

The inverter is equipped with a Webconnect function as standard. The Webconnect function enables direct data transmission between the inverter and Sunny Portal without any additional communication device and for a maximum of 4 inverters per visualized system. In PV systems with more than 4 inverters, there is the option of establishing data transmission between the inverters and Sunny Portal via the data logger (e.g., SMA Data Manager) or distributing the inverters over several systems. You can directly access your visualized system via the web browser on your end device.

## WLAN

The product is equipped with a WLAN interface as standard. The inverter is delivered with the WLAN interface activated as standard. If you do not want to use WLAN, you can deactivate the WLAN interface.

In addition, the product has a WPS function. The WPS function is for automatically connecting the product to a network (e.g. via router) and establish a direct connection between the product and an end device.

### Expanding the radio range in the WLAN network

In order to expand the radio range of the inverter in the WLAN network, you can install the Antenna Extension Kit accessory set in the inverter.

## Modbus

The product is equipped with a Modbus interface. The Modbus interface is deactivated by default and must be configured as needed.

The Modbus interface of the supported SMA products is designed for industrial use – via SCADA systems, for example – and has the following tasks:

- Remote query of measured values
- Remote setting of operating parameters
- Setpoint specifications for system control

## Module slots

The inverter is standard-equipped with two module slots. The module slots are located on the communication assembly and allow additional modules to be connected (e.g. SMA Sensor Module). The modules are available as accessories. The installation of two identical modules is not permissible.

## SMA RS485 Module

With the assembly of the RS485 Module, the inverter can communicate with special SMA communication products (Information on assembly and connection see manual of the SMA RS485 Module). The SMA RS485 Module can be retrofitted.

## Antenna Extension Kit

Within the WLAN network, the Antenna Extension Kit enables the radio range of the inverter to be upgraded (Information on assembly and connection see manual of the Antenna Extension Kit). The Antenna Extension Kit can be retrofitted.

## SMA Sensor Module

The SMA Sensor Module has different interfaces for connecting various sensors (i.e. temperature sensor, irradiation sensor, anemometer or energy meter). The SMA Sensor Module converts the signals of the connected sensors and transmits them to the inverter. The SMA Sensor Module can be retrofitted.



## Grid Management Services

The inverter was tested in accordance with the UL 1741 SA (2016-09-07) to be compliant with the source requirements documents of the states available at the time. For connecting the inverter to the utility grid, no additional grid monitoring equipment is necessary. A description of the tested functions and instructions on the activation and setting of functions can be found in the technical information "Grid Support Utility Interactive Inverters" at [www.SMA-Solar.com](http://www.SMA-Solar.com).

## PV Rapid Shutdown Equipment

The inverter is listed as PV Rapid Shutdown Equipment (PVRSE) according to UL 1741.

All DC inputs and AC outputs of this product comply with photovoltaic rapid shutdown requirements for controlled conductors outside the array.

A complete PV Rapid Shutdown System consists of the inverter, PV array switching devices, and a Rapid Shutdown initiation device.

**NOTICE** - The inverter's Rapid Shutdown function is initiated by disconnecting the inverter from the AC grid voltage, for example, by opening the main PV system AC disconnect. The AC disconnect that serves as the Rapid Shutdown initiation device must be readily accessible and clearly marked in accordance with National Electrical Code®. The Rapid Shutdown status of the PV system will be indicated by the On/Off (Closed/Open) position of this AC disconnect. The Off (Open) position indicates that Rapid Shutdown has been initiated.

When switching devices compliant with the SunSpec Communication Signal for Rapid Shutdown are installed within the PV array, the inverter can transmit a SunSpec-compliant "permission to operate" signal to the PV array switching devices via its DC input conductors. When Rapid Shutdown is initiated, the inverter will stop transmitting the SunSpec signal. When the SunSpec signal is not being received, the PV array switching devices are responsible for limiting voltages on conductors inside the PV array in accordance with National Electrical Code®. It is important that during a Rapid Shutdown via the SunSpec communication signal all PV modules of a string are always equipped with SunSpec-compliant PV array switching devices, otherwise the inverter cannot start feed-in operation. To ensure safe discharging of the DC connection lines, the standby voltage of the used PV array switching devices of a string must be < 30 V.

A PV Rapid Shutdown System can also be installed using PV array switching devices initiated by loss of grid AC voltage or other means. In these cases, it must be ensured that the PV system Rapid Shutdown initiation device initiates Rapid Shutdown of the PV array devices at the same time that the inverter is disconnected from AC voltage. The PV array switching devices must disconnect the PV array from the inverter within a maximum of 15 seconds after Rapid Shutdown initiation.

The inverter is capable of grid support operation where in case of a loss of AC voltage, the inverter remains connected to the utility grid for a defined ride-through time and waits for voltage recovery. If grid voltage does not recover within the defined ride-through time, the inverter disconnects from the grid and Rapid Shutdown is initiated.

The Rapid Shutdown function is deactivated by default. The Rapid Shutdown function should only be activated when PVRSE switching devices have been installed within the PV array or between the PV array and the inverter. The Rapid Shutdown function can be activated during or after inverter commissioning via the user interface by selecting the operating mode suitable to the PV array PVRSE switching devices. If the Rapid Shutdown function is activated and PV array PVRSE switching devices are not installed, the inverter cannot discharge the connected DC input conductors during Rapid Shutdown and the inverter can be damaged.

**WARNING - THIS PV RAPID SHUTDOWN EQUIPMENT DOES NOT PERFORM ALL OF THE FUNCTIONS OF A COMPLETE PV RAPID SHUTDOWN SYSTEM. THIS PV RAPID SHUTDOWN EQUIPMENT MUST BE INSTALLED WITH OTHER EQUIPMENT TO FORM A COMPLETE PV RAPID SHUTDOWN SYSTEM THAT MEETS THE REQUIREMENTS OF NEC (NFPA 70) FOR CONTROLLED CONDUCTORS OUTSIDE THE ARRAY. OTHER EQUIPMENT INSTALLED IN OR ON THIS PV SYSTEM MAY ADVERSELY AFFECT THE OPERATION OF THE PV RAPID SHUTDOWN SYSTEM. IT IS THE RESPONSIBILITY OF THE INSTALLER TO ENSURE THAT THE COMPLETED PV SYSTEM MEETS THE RAPID SHUT DOWN FUNCTIONAL REQUIREMENTS. THIS EQUIPMENT MUST BE INSTALLED ACCORDING TO THE MANUFACTURER'S INSTALLATION MANUAL.**

### **Multifunction Relay**

The inverter is equipped with a multifunction relay as standard. The multifunction relay is an interface that can be configured for the operating mode used by a particular system.

### **String-Failure Detection**

The string-failure detection measures the total current of every input and continuously calculates the mean values for the inputs in question. The total currents are compared with the mean values. If a total current exceeds or falls short of the mean value by the set tolerance value, an event is reported. Marginally increased total currents are reliably detected over several query intervals and distinguished from typical current fluctuations of the PV array. String-failure detection is deactivated by default and must be activated. In addition, the tolerance value can be set via the user interface and the mean values read off.

### **Surge arrester type 2 and type 1+2**

On the AC and DC side, the inverter is equipped with slots for type 2 or type 1+2 surge protection devices. The surge protection devices limit dangerous overvoltages. The surge protection devices can be retrofitted.

### **Arc-Fault Circuit Interrupter (AFCI)**

In accordance with the *National Electrical Code*<sup>®</sup>, the inverter has a system for DC arc fault detection and interruption. The arc-fault circuit interrupter is listed in accordance with UL 1699B Ed. 1. A detected electric arc causes the inverter to interrupt feed-in operation: In order to restart feed-in operation, the feed-in operation must be activated manually. If the installation conditions allow it, you can deactivate the arc-fault circuit interrupter.

### **SMA Smart Connected**

SMA Smart Connected is the free monitoring of the inverter via the SMA Sunny Portal. Thanks to SMA Smart Connected, the PV system operator and qualified person will be informed automatically and proactively about inverter events that occur.

SMA Smart Connected is activated during registration in Sunny Portal. In order to use SMA Smart Connected, it is necessary that the inverter is permanently connected to Sunny Portal and the data of the PV system operator and qualified person is stored in Sunny Portal and up-to-date.

### Universal mounting system (UMS\_Kit-10)

The universal mounting system enables wall mounting of the inverter or serves as platform for higher mounting on the ground. The universal mounting system is available as an accessory.

## 4.4 LED Signals

The LEDs indicate the operating state of the inverter.

LED signal	Explanation
The green LED is flashing (two seconds on and two seconds off)	Waiting for feed-in conditions The conditions for feed-in operation are not yet met. As soon as the conditions are met, the inverter will start feed-in operation.
The green LED flashes quickly	Update of central processing unit The central processing unit of the inverter is being updated.
The green LED is glowing	Feed-in operation The inverter feeds in with a power of at least 90%.
The green LED is pulsing	Feed-in operation The inverter is equipped with a dynamic power display via the green LED. Depending on the power, the green LED pulses fast or slow. If necessary, you can switch off the dynamic power display via the green LED.
The green LED is off	The inverter is not feeding into the utility grid.
The red LED is glowing	Event occurred If an event occurs, a distinct event message and the corresponding event number will be displayed in addition on the inverter user interface or in the communication product.
The blue LED flashes slowly for approx. one minute	Communication connection is being established The inverter is establishing a connection to a local network or is establishing a direct connection to an end device via Ethernet (e.g. computer, tablet PC or smartphone).
The blue LED flashes quickly for approx. two minutes.	WPS active The WPS function is active.
The blue LED is glowing	Communication active There is an active connection with a local network or there is a direct connection with an end device via Ethernet (e.g. computer, tablet PC or smartphone).

## 5 Mounting

### 5.1 Requirements for Mounting

#### Requirements for the Mounting Location:

#### **⚠ WARNING**

#### **Danger to life due to fire or explosion**

Despite careful construction, electrical devices can cause fires.

- Do not mount the product in areas containing highly flammable materials or gases.
- Do not mount the product in potentially explosive atmospheres.

- The mounting location must be suitable for the weight and dimensions of the product (see Section 10 "Technical Data", page 58).
- The installation site can be exposed to direct solar irradiation. There is, however, the possibility that the product reduces its power output to avoid overheating due to high temperatures.
- The mounting location should be freely and safely accessible at all times without the need for any auxiliary equipment (such as scaffolding or lifting platforms). Non-fulfillment of these criteria may restrict servicing.
- The DC load-break switch of the product must always be freely accessible.
- All ambient conditions must be met (see Section 10, page 58).

#### **Permitted and prohibited mounting positions:**

- The product may only be mounted in a permitted position. This will ensure that no moisture can penetrate the product.
- The product should be mounted such that the LED signals can be read off without difficulty.

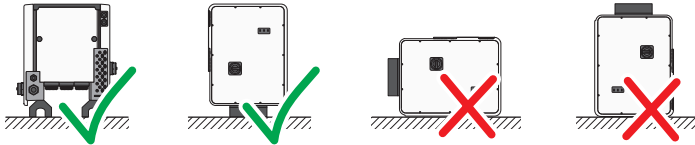


Figure 3 : Permitted and prohibited mounting positions

Dimensions for mounting:

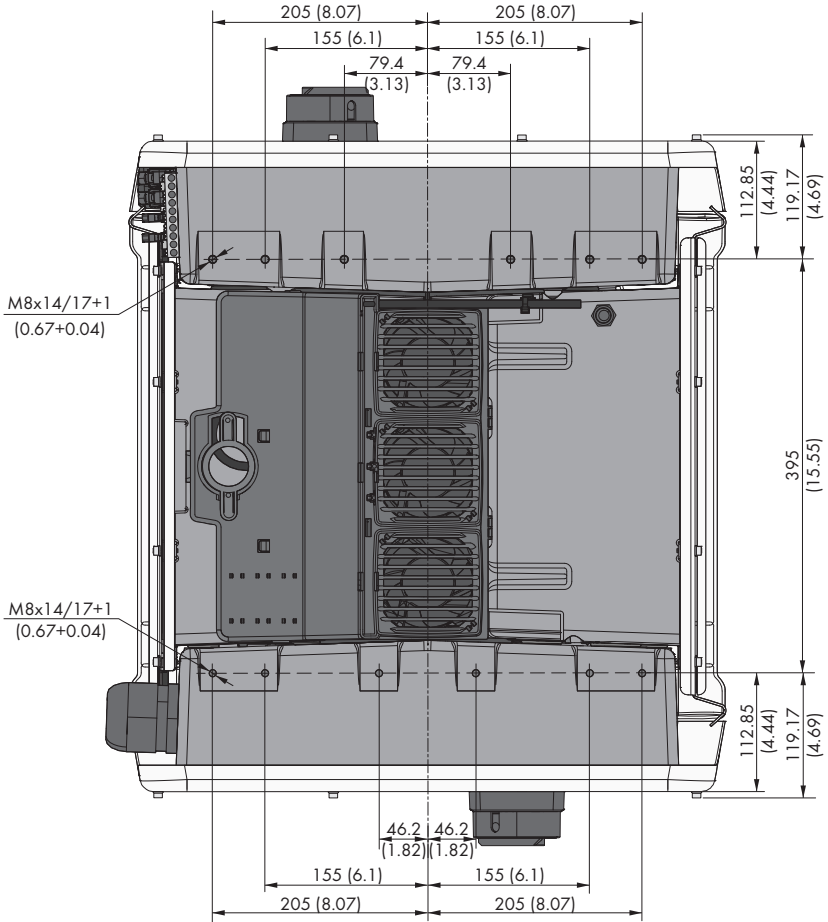


Figure 4 : Position of the anchoring points(Dimensions in mm (in))

**Structural Stability:**

- When mounting with feet or profile rails, the width of one foot or the profile rail must be at least 175 mm (7 in) to ensure structural stability.
- The inverter must be attached under the following conditions:
  - Inclination of the support surface:  $> 3^\circ$
  - Wind speed (without wind gusts):  $> 25$  m/s (82 ft/s)
  - Height of the feet or the profile rail:  $> 100$  mm (4 in)
- When mounting with profile rails, an attachment or fixation by loading is required. When mounting with profile rails, SMA Solar Technology AG recommends to bolt the profile rails e.g. to the profile of the module frame or to attach a sheet metal (which can be weighted with stones or with sandbags) at the profile rails. This will ensure that the inverter is fixed.

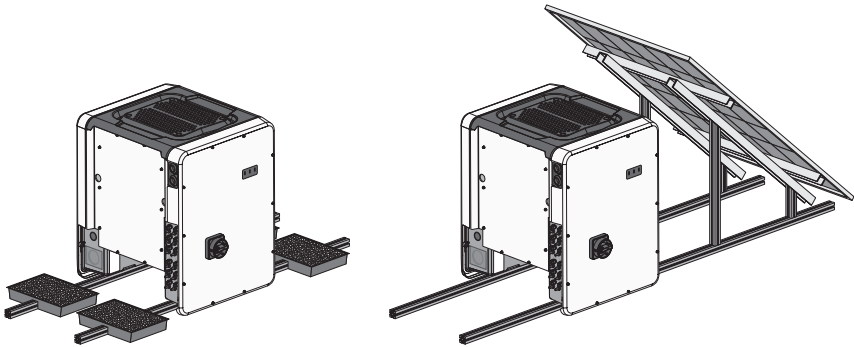


Figure 5 : Attachment of the inverters (examples)

**Recommended Clearances:**

To guarantee optimal operation and adequate heat dissipation for the inverter, the following requirements for clearances should be observed. This will prevent the inverter power output from being reduced due to excessive temperatures. However, smaller clearances are permitted without causing any risk.

**i** Prescribed clearances in accordance with the **National Electrical Code®** or **Canadian Electrical Code® CSA C22.1**

Under certain conditions, the *National Electrical Code®* or the *Canadian Electrical Code®* CSA C22.1 specify greater clearances.

- Ensure that the prescribed clearances in accordance with the *National Electrical Code®* or *Canadian Electrical Code®* CSA C22.1 are adhered to.
- Maintain the recommended clearances to roof edges, skylights, walls as well as to other inverters or objects. This ensures that the load-break switches on the inverter can be operated easily and the LED signals can be read without difficulty.
  - For possible service deployments, SMA Solar Technology AG recommends ensuring sufficient clearance from walls, other inverters or objects on all four sides of the inverter enclosure. Non-fulfillment of these criteria may restrict servicing.
  - If multiple inverters are mounted in areas with high ambient temperatures, increase the clearances between the inverters and ensure sufficient fresh-air supply.

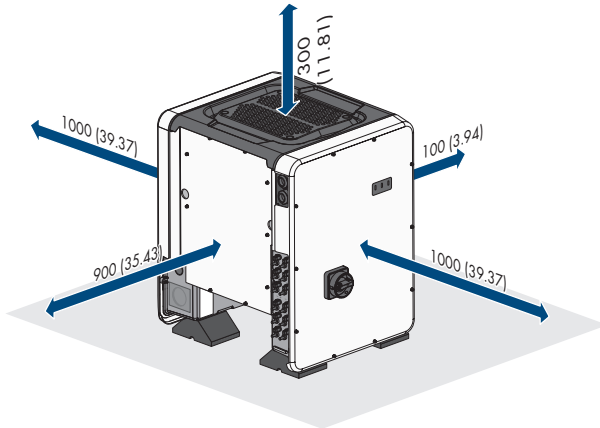


Figure 6 : Recommended clearances(Dimensions in mm (in))

## 5.2 Mounting the Inverter

### ⚠ CAUTION

#### Risk of injury due to the weight of the inverter

Injuries may result if the inverter is lifted incorrectly or dropped while being transported or when mounting it to the wall mounting bracket.

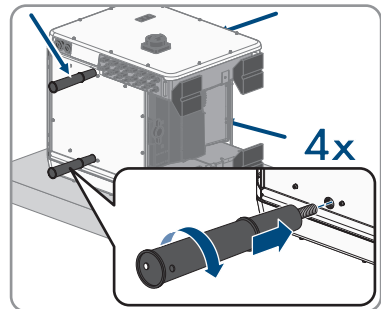
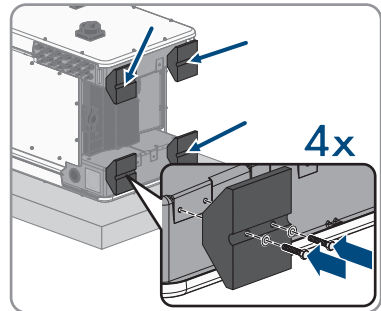
- Carry and lift the inverter upright with the help of several people. In doing so, keep in mind the weight of the inverter and take hold of the carrying handles on the inverter. Always take hold of the two carrying handles mounted both on each side.
- Transport the product using the carrying handles or hoist. Take the weight of the product into account.
- Do not use the carrying handles as attachment points for hoist equipment (e.g. straps, ropes, chains). Insert eye bolts into threads provided on top of the product to attach the hoist system.
- Use all carrying handles provided during transport with carrying handles.
- Take into account the center of gravity of the inverter. The center of gravity is on the side of the AC-Connection Unit.

#### Additionally required material (not included in the scope of delivery):

- For transport with a hoist: 4 eye bolts (M8)

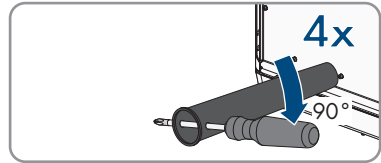
#### Procedure:

1. Attach each foot with two M8x40 hexagon head screws and two washers on the two external taps (M8x14) on the underside of the inverter (torque: 16 Nm (142 in-lb)). Press the packaging on the bottom side down or cut it open. The screw holes on the bottom of the inverter must be exposed.
2. Screw the transport handles as far as they will go into the taps on the right- and left-hand side until they lie flush with the enclosure. When doing so, ensure that the transport handles are screwed into the taps so that they are perfectly straight. If the transport handles are not screwed in straight, this can make it more difficult or even impossible to unscrew them later on and can damage the taps to the extent that transport handles can no longer be screwed into them.

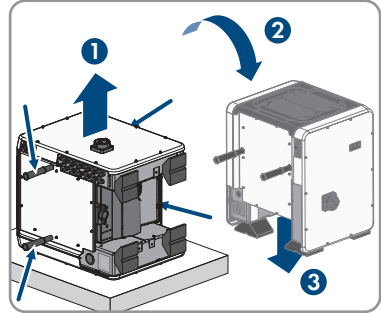




3. Insert a screwdriver into the holes in the transport handle and turn the screwdriver through  $90^\circ$ . This ensures that the transport handles are securely tightened.



4. Remove the inverter from the Euro pallet and position the inverter at the installation location.



5. If the inverter is positioned by means of a hoist at the mounting location, screw the eye bolts into the threads on the top of the inverter and attach the hoist to them. The hoist must be suitable to take the weight of the inverter.
6. Make sure that the inverter is stable.
7. Remove all four transport handles from the taps. If necessary, insert a screwdriver into the holes on the transport handle and use the screwdriver to remove the transport handle.

## 6 Electrical Connection

### 6.1 Overview of the Connection Area

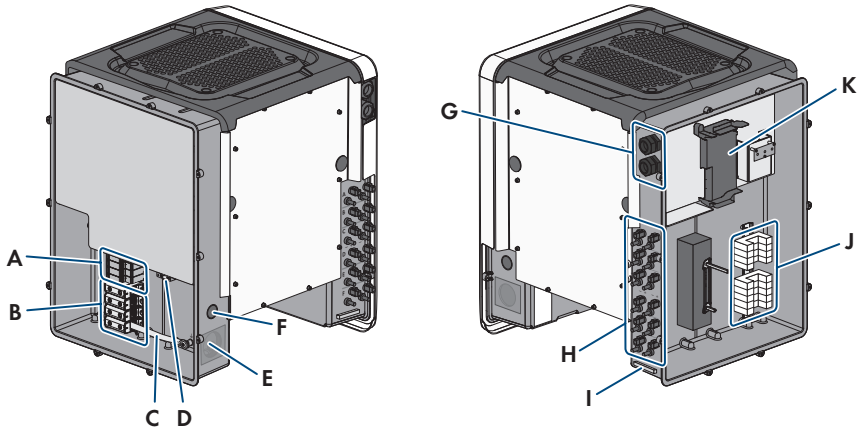


Figure 7 : Connection areas of the inverters' AC Connection Unit and DC Connection Unit

Position	Designation
A	Slots for AC surge protection devices
B	Terminal blocks for AC connection
C	Bridge between N and enclosure
D	Equipment grounding terminal for the equipment grounding conductor of the utility grid
E	Enclosure opening for AC connection (for 50.8 mm (2 in) trade size conduits)
F	Enclosure opening for the connection of an additional conductor (for 27 mm (1 in) trade size conduits)
G	Cable glands for network cables and, if needed, for the connection cables of the Antenna Extension Kit or other data cables
H	Positive and negative connectors for DC connection
I	Equipment grounding terminal for the equipment grounding conductors of the PV array
J	Slots for DC surge protection devices
K	Communication assembly

## 6.2 AC Connection

### 6.2.1 Requirements for the AC Connection

**Additionally required material (not included in the scope of delivery):**

- Conduit (trade size: 50.8 mm (2 in) or smaller with suitable reducer bush)
- Raintight or liquidtight conduit fitting (trade size: 50.8 mm (2 in) or smaller with suitable reducer bush)

**Requirements on the AC conductors:**

- The maximum permitted temperature for the terminal block of the AC connection of  $+90^{\circ}\text{C}$  ( $+194^{\circ}\text{F}$ ) must be observed.
- The conductors with regards to its ampacity, rated temperatures, operating conditions and its power loss must be made in accordance with the local standards and the *National Electrical Code*® ANSI/NFPA 70 or the *Canadian Electrical Code*® CSA C22.1.
- The conductors must be made of solid wire, stranded wire or fine stranded wire. When using fine stranded wire, bootlace ferrules must be used.
- Conductor cross-section:  $25\text{ mm}^2$  to  $95\text{ mm}^2$  (4 AWG to 4/0 AWG)
- Conductor type: aluminum and copper wire
- Maximum permissible temperature:  $+90^{\circ}\text{C}$  ( $+194^{\circ}\text{F}$ )

**Overview of the required length of the conductor inside the AC connection unit**

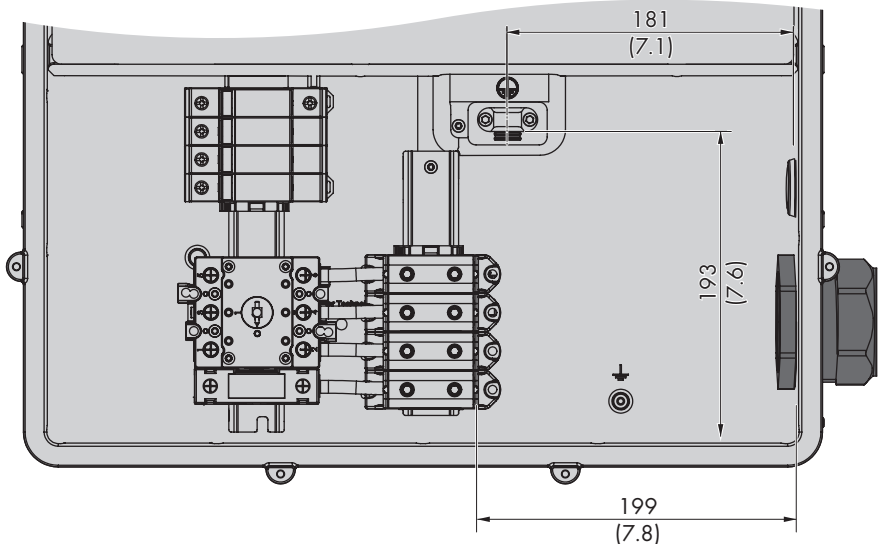


Figure 8 : Interior view of the AC connection unit with dimensions for the conductors (dimensions in mm (in))

**Load-break switch in a cable protection:**

- In PV systems with multiple inverters, protect each inverter with its own overcurrent protective device. Observe the maximum permissible fuse protection (see Section 10 "Technical Data", page 58). This will prevent residual voltage from being present at the corresponding conductor after disconnection.
- The load-break switch or circuit breaker must be listed (see *National Electrical Code*® ANSI/NFPA 70) or *Canadian Electrical Code*® CSA C22.1).
- Loads installed between the inverter and the overcurrent protective device must be fused separately.
- The overcurrent protective device for the AC output circuit is to be provided by others.
- The inverter is equipped with an AC switch in accordance with UL 508 which can be used as a service switch.

**Compatible grid configuration:**

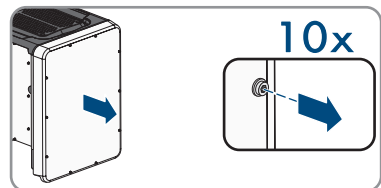
- The inverter is approved for connection to a utility grid with 277/480 V wye connection.

**6.2.2 Connecting the Inverter to the Utility Grid****Requirements:**

- All electrical installations must be carried out in accordance with the local standards and the *National Electrical Code*® ANSI/NFPA 70 or the *Canadian Electrical Code*® CSA C22.1.
- The AC and DC electric circuits are isolated from the enclosure. If required by the *National Electrical Code*® ANSI/NFPA 70 or *Canadian Electrical Code*® CSA C22.1, the installer is responsible for grounding the system.
- The connection requirements of the grid operator must be met.
- The grid voltage must be within the permissible range. The exact operating range of the inverter is specified in the operating parameters.

**Procedure:**

1. Disconnect the circuit breaker from all three line conductors and secure against reconnection.
2. Ensure that the AC load-break switch and the DC load-break switch are in the **O** position and are secured against reconnection.
3. If the enclosure lid of the AC-Connection Unit is mounted, remove all ten screws of the enclosure lid (TX 25) and remove the enclosure lid towards the front.



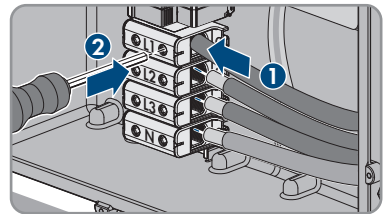
4. Remove the adhesive tape from the enclosure opening for the AC connection.
5. Insert the conduit fitting into the opening and tighten from the inside using the counter nut.
6. Attach the conduit to the conduit fitting.
7. Guide the conductors from the conduit into the AC-Connection Unit.

8. Connect the equipment grounding conductor of the utility grid to the equipment grounding terminal:
  - Strip the insulation of the equipment grounding conductor by 27 mm (1.06 in).
  - Slightly loosen one of the screws with which the clip and connection plate are connected to the equipment grounding terminal and to completely remove the other screw (TX 25).
  - Then place the equipment grounding conductor onto the connection plate, route the clip via the equipment grounding conductor and tighten both screws (TX 25, torque: 6 Nm (53 in-lb)).
  - Ensure that the conductor is on the connection plate.

9. Strip off the conductor insulation of L1, L2, L3 and, if applicable, N by 27 mm (1.06 in) each.

10. In the case of finely stranded wire, provide conductors L1, L2, L3 and, if applicable, N with a bootlace ferrule.

11. Depending on the grid configuration, connect L1, L2, L3 and, if necessary, N to the terminals according to the label. To do so, position each conductor as far as they will go into the corresponding terminal and tighten the screw on the terminal (TX 30, length: 50 mm (2 in), torque: 14 Nm (126 in-lb)).



12.

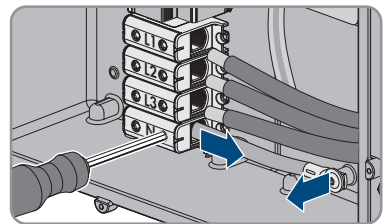
### ⚠ WARNING

#### **Danger to life due to electric shock caused by the presence of a bridge between N and the enclosure when connecting a utility grid with neutral conductor**

The inverter is delivered with a bridge between N and the enclosure as standard. The bridge is absolutely essential if the connection to a utility grid is established without a neutral conductor.

- If the connection to a utility grid is established with a neutral conductor, the bridge must always be removed as described in the next step.

13. When N is present and connected to the corresponding terminal, remove the bridge installed as standard between N and the enclosure (⚡). To do so, unscrew the screw of the terminal **N** and the screw of the grounding point (⚡) and remove the bridge from the inverter (TX 30, length: 50 mm (2 in)).



14. Ensure that the correct conductors are assigned to all the terminals.
15. Make sure that all conductors are securely in place.

## 6.3 Connecting the Network Cables

### DANGER

#### **Danger to life due to electric shock in case of overvoltages and if surge protection is missing**

Overvoltages (e. g. in the event of a flash of lightning) can be further conducted into the building and to other connected devices in the same network via the network cables or other data cables if there is no surge protection. Touching live parts and cables results in death or lethal injuries due to electric shock.

- Ensure that all devices in the same network are integrated in the existing overvoltage protection.
- When laying the network cable outdoors, ensure that there is suitable surge protection at the network cable transition from the product outdoors to the network inside the building.
- The Ethernet interface of the inverter is classified as "TNV-1" and offers protection against overvoltages of up to 1.5 kV.

#### **Additionally required material (not included in the scope of delivery):**

- Network cables
- Where required: Field-assembly RJ45 connector.

#### **Additionally required material for the use of conduits (not included in the scope of delivery):**

- Conduit (trade size: 27 mm (1 in) or smaller with suitable reducer bush)
- Rain-tight or conduit fittings for wet locations complying with UL 514B (trade size: 27 mm (1 in) or smaller with suitable reducing bush)

#### **Cable requirements:**

The cable length and quality affect the quality of the signal. Observe the following cable requirements.

- Cable type: 100BaseTx
- Cable category: Cat5, Cat5e or higher
- Plug type: RJ45 of Cat5, Cat5e or higher
- Shielding: SF/UTP, S/UTP, SF/FTP or S/FTP
- Number of insulated conductor pairs and insulated conductor cross-section: at least 2 x 2 x 0.22 mm<sup>2</sup> (2 x 2 x 24 AWG)
- Maximum cable length between two nodes when using patch cables: 50 m (164 ft)
- Maximum cable length between two nodes when using installation cables: 100 m (328 ft)
- UV-resistant for outdoor use

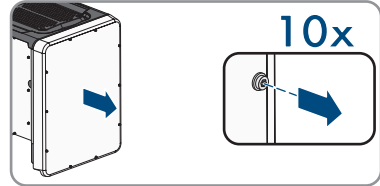
**Procedure:**

1.

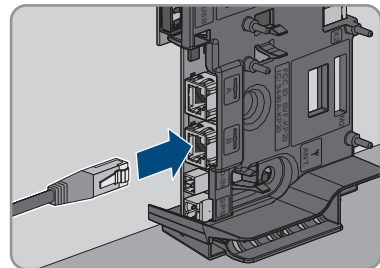
**⚠ DANGER****Danger to life due to electric shock**

- Disconnect the inverter from all voltage sources (see Section 8, page 53).

2. If the enclosure lid of the DC-Connection Unit is closed, remove it as follows: Unscrew all ten screws (TX25) and remove the enclosure lid towards the front.



3. Set the screws and the enclosure lid aside and store safely.
4. When using conduits, perform the following steps:
- Remove the M32 cable glands from the enclosure opening. To do so, unscrew the counter nut from the inside and remove the cable gland from the enclosure opening.
  - Insert the conduit fitting into the opening and tighten from the inside using the counter nut.
  - Attach the conduit to the conduit fitting.
  - Lead one end of the network cable from the conduit into the inverter.
5. When using the cable glands, perform the following steps:
- Remove the swivel nut from the cable gland for the communication cable.
  - Thread the swivel nut over the network cable.
  - Remove the two-hole cable support sleeve from the cable gland.
  - Remove the sealing plug from one of the enclosure openings of the two-hole cable support sleeve and insert the network cable into the enclosure opening.
  - Press the two-hole cable support sleeve with the cable into the cable gland and guide the network cable to the communication assembly in the DC-Connection Unit. Ensure that any unused enclosure openings of the two-hole cable support sleeve are sealed with sealing plugs.
6. When using a self-assembly network cable, assemble the RJ45 connector and connect to the network cable (see connector documentation).
7. Put the RJ45 plug of the cable into one of the network sockets of the communication assembly.



8. Ensure that the RJ45 plug is securely in place by pulling slightly on the cable.

9. When using the cable glands, tighten the swivel nut of each cable gland hand-tight. This will secure the network cable in place.
10. If the inverter is installed outdoors, install overvoltage protection for all components in the network.
11. Connect the other end of the network cable to the local network (e.g. via a router).

## 6.4 Connecting the Multifunction Relay

### 6.4.1 Procedure for connecting the multifunction relay

Procedure	See
1. Select for which operating mode you would like to use the multifunction relay.	see section 6.4.2, page 32
2. Connect to the multifunction relay according to the operating mode and the associated connection variant.	see section 6.4.3, page 33 and see section 6.4.4, page 36
3. After commissioning the inverter, change the operating mode of the multifunction relay, if necessary.	User manual under <a href="http://www.SMA-Solar.com">www.SMA-Solar.com</a>

### 6.4.2 Operating Modes of the Multifunction Relay

Operating mode of multifunction relay (Mlt.Op-Mode)	Description
<b>Fault indication (FltInd)</b>	The multifunction relay controls a display device (e.g. a warning light) which, depending on the type of connection, signals either an error or the undisturbed operation of the inverter.
<b>Self-consumption (SelfC-smp)</b>	The multifunction relay switches loads on or off, depending on the power production of the PV system.
<b>Control via communication (ComCtl)</b>	The multifunction relay switches loads on or off according to commands transmitted by a communication product.
<b>Battery bank (BatCha)</b>	The multifunction relay controls the charging of the batteries depending on the power production of the PV system.
<b>Fan control (FanCtl)</b>	The multifunction relay controls an external fan, depending on the temperature of the inverter.
<b>Switching status grid relay (GriSwCpy)</b>	The local grid operator may require that a signal is transmitted as soon as the inverter connects to the utility grid. The multifunction relay can be used to trigger this signal.



### 6.4.3 Connection Options

The connection procedures vary, depending on the operating mode.

Operating mode	Connection option
<b>Fault indication (FltInd)</b>	Using the Multifunction Relay as a Fault Indicator Contact
<b>Self-consumption (SelfC-smp)</b>	Controlling loads via the multifunction relay or charging batteries depending on the power production of the PV system
<b>Control via communication (ComCtl)</b>	Controlling loads via the multifunction relay or charging batteries depending on the power production of the PV system
<b>Battery bank (BatCha)</b>	Controlling loads via the multifunction relay or charging batteries depending on the power production of the PV system
<b>Fan control (FanCtl)</b>	Connecting the external fan (see fan documentation)
<b>Switching status grid relay (GriSwCpy)</b>	Reporting the switching status of the grid relay

### Using the Multifunction Relay as a Fault Indicator Contact

You can use the multifunction relay as a fault indicator contact and have an error or smooth operation of the inverter displayed or signaled via a suitable display device. You can connect multiple inverters to one fault indicator or operation indicator, as needed.

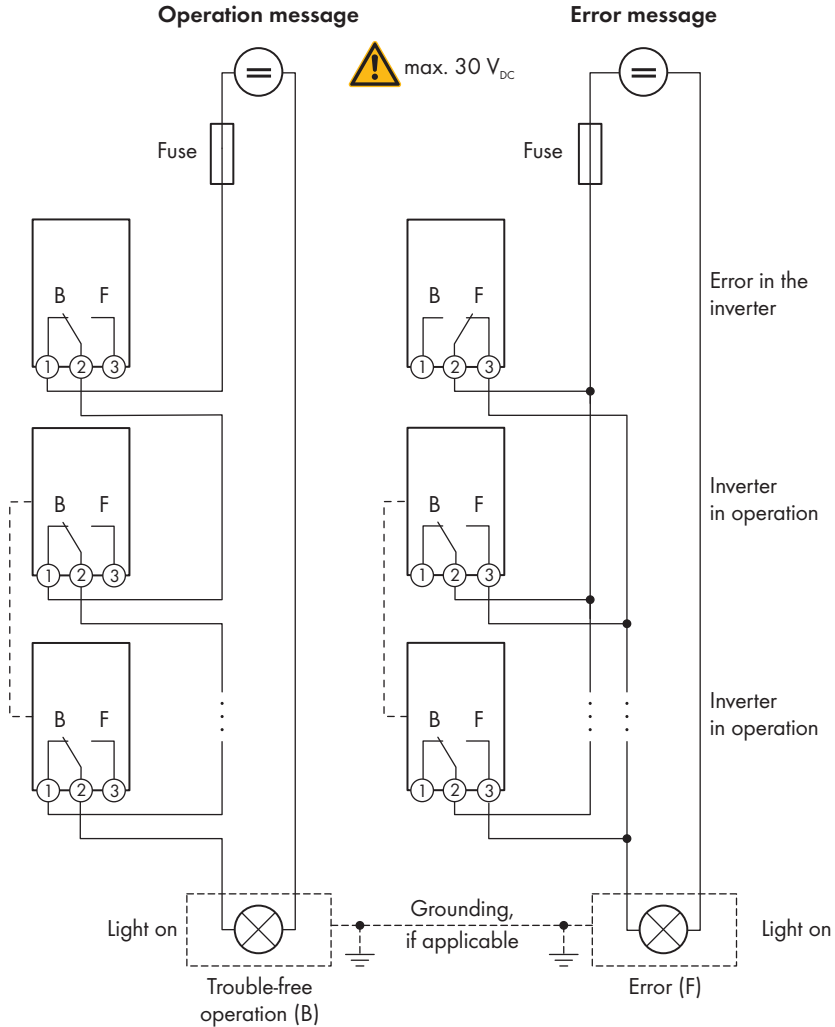


Figure 9 : Circuit diagram with multiple inverters for connection to an operation indicator and circuit diagram for connection to a fault indicator (example)

### Controlling loads via the multifunction relay or charging batteries depending on the power production of the PV system

The multifunction relay can control loads or charge batteries power-dependently. To enable this function, you must connect a contactor (K1) to the multifunction relay. The contactor (K1) switches the operating current for the load on or off. If you want batteries to be charged depending on the available power, the contactor activates or deactivates the charging of the batteries.

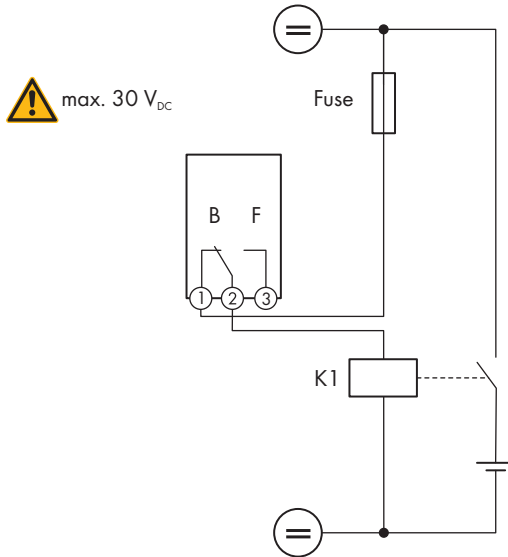


Figure 10 : Wiring diagram for connection for controlling a load or for the power-dependent charging of the batteries

## Reporting the switching status of the grid relay

The multifunction relay can trip a signal to the grid operator as soon as the inverter connects to the utility grid. To enable this function, the multifunction relays of all inverters must be connected in parallel.

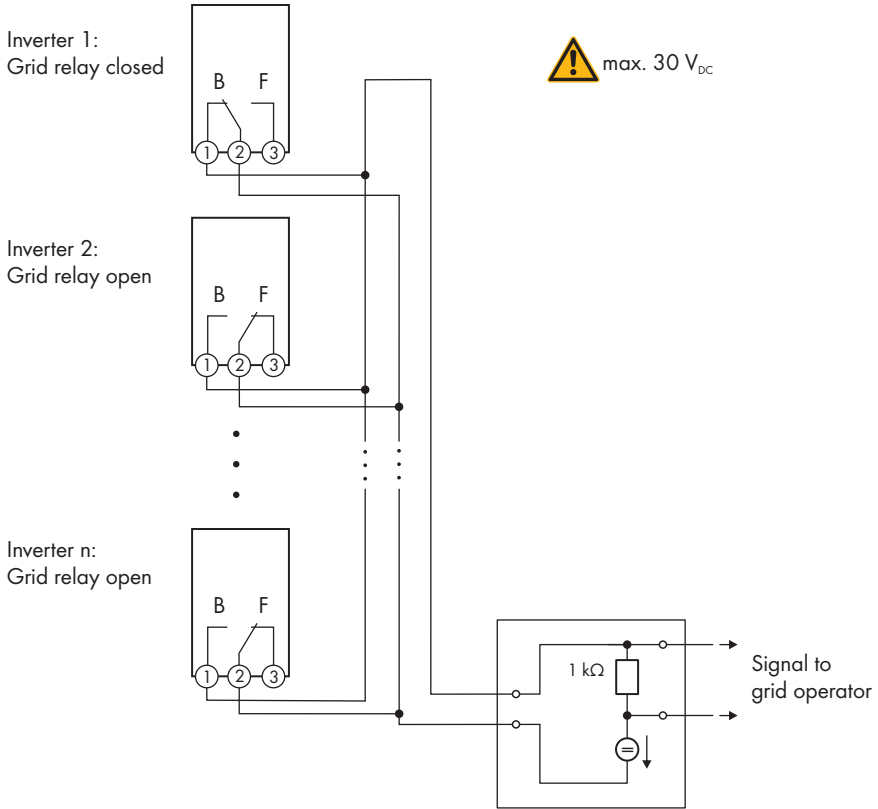


Figure 11 : Wiring diagram for signaling the switching status of the grid relay (example)

### 6.4.4 Connection to the Multifunction Relay

**Additionally required material for the use of conduits (not included in the scope of delivery):**

- Conduit (trade size: 27 mm (1 in) or smaller with suitable reducer bush)
- Rain-tight or conduit fittings for wet locations complying with UL 514B (trade size: 27 mm (1 in) or smaller with suitable reducing bush)

**Requirements:**

- The technical requirements of the multifunction relay must be met (see Section 10 "Technical Data", page 58).
- All electrical installations must be carried out in accordance with the local standards and the *National Electrical Code*® ANSI/NFPA 70 or the *Canadian Electrical Code*® CSA C22.1.

**Requirements on the conductors:**

- Conductor cross-section: 0.2 mm<sup>2</sup> to 1.5 mm<sup>2</sup> (24 AWG to 16 AWG)
- The conductor type and wiring method must be appropriate for the application and location.

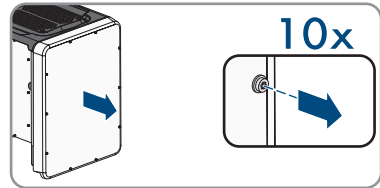
**Procedure:**

1.

**⚠ DANGER****Danger to life due to high voltages**

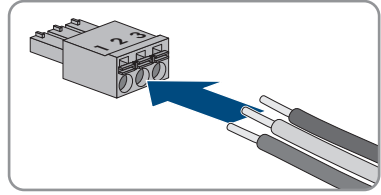
- Disconnect the inverter from all voltage sources (see Section 8, page 53).

2. If the enclosure lid of the DC-Connection Unit is closed, remove it as follows: Unscrew all ten screws (TX25) and remove the enclosure lid towards the front.



3. Set the screws and the enclosure lid aside and store safely.
4. When using conduits, perform the following steps:
- Remove the M32 cable glands from the enclosure opening. To do so, unscrew the counter nut from the inside and remove the cable gland from the enclosure opening.
  - Insert the conduit fitting into the opening and tighten from the inside using the counter nut.
  - Attach the conduit to the conduit fitting.
  - Guide the conductors from the conduit into the inverter.
5. When using the cable glands, perform the following steps:
- Remove the swivel nut from the cable gland for the communication cable.
  - Thread the swivel nut over the network cable.
  - Remove the two-hole cable support sleeve from the cable gland.
  - Remove the sealing plug from one of the enclosure openings of the two-hole cable support sleeve and insert the conductor into the enclosure opening.
  - Press the two-hole cable support sleeve with the conductors into the cable gland and guide the conductor to the communication assembly in the DC-Connection Unit. Ensure that any unused enclosure openings of the two-hole cable support sleeve are sealed with sealing plugs.
6. Strip off the conductor insulation by max. 9 mm (0.35 in).

7. Connect the conductors to the 3-pole terminal block according to the circuit diagram, depending on the operating mode (see Section 6.4.3, page 33). Ensure that the conductors are plugged completely into the terminal points (round openings) up to their insulation.



8. Stick the 3-pole terminal block with the connected conductors into the **MFR** slot on the communication assembly in the inverter.
9. Ensure that the terminal block is securely in place.
10. Ensure that all conductors are correctly connected.
11. When using the cable glands, tighten the swivel nut of each cable gland hand-tight. This will secure the conductors.
12. Ensure that the conductors sit securely in the terminal points. Tip: To release the conductors from the terminal block, open the terminal points using a suitable tool.

## 6.5 DC Connection

### 6.5.1 Requirements for the DC Connection

#### Requirements for the PV modules per input:

- All PV modules should be of the same type.
- All PV modules should be aligned and tilted identically.
- The maximum inverter system voltages permitted may not be exceeded (see Section 10 "Technical Data", page 58).
- The maximum short-circuit current may not be exceeded (see Section 10 "Technical Data", page 58).
- The positive connection cables of the PV modules must be equipped with positive DC connectors (see Section 6.5.2, page 39).
- The negative connection cables of the PV modules must be equipped with the negative DC connectors (see Section 6.5.2, page 39).

#### Additionally required material (not included in the scope of delivery):

#### Requirements on the DC conductors:

- The conductors with regards to its ampacity, rated temperatures, operating conditions and its power loss must be made in accordance with the local standards and the *National Electrical Code*® ANSI/NFPA 70 or the *Canadian Electrical Code*® CSA C22.1.
- Maximum permissible temperature: +90 °C (+194 °F)
- Conductor type: copper wire
- The conductors must be made of solid wire, stranded wire or fine stranded wire.
- External diameter: 5.3 mm to 7.65 mm (0.21 in to 0.30 in)
- Conductor cross-section: 4 mm<sup>2</sup> to 6 mm<sup>2</sup> (12 AWG to 10 AWG)

**Requirements on the equipment grounding conductor of the PV array:**

- The conductors must be made of solid wire, stranded wire or fine stranded wire.
- Conductor type: aluminum and copper wire
- Conductor cross section: 2.5 mm<sup>2</sup> to 25 mm<sup>2</sup> (14 AWG to 4 AWG)

## 6.5.2 Assembling the DC Connectors

For connection to the inverter, all PV module connection cables must be fitted with the DC connectors provided. Assemble the DC connectors as described in the following (refer to the manufacturer manual for further information on assembling the DC connectors). Be sure to observe the correct polarity.

**Additionally required material (not included in the scope of delivery):**

- Stripping tool
- Crimping tool suitable for crimping the cold-formed contact ferrules (observe manufacturer information).
- Tool for tightening the swivel nut (observe manufacturer information).
- Where applicable, tool for checking whether the conductors with contact ferrules plug far enough into the DC connector (observe manufacturer information).

**Procedure:**

1. Strip off the conductor insulation by 7 mm ± 0.5 mm (0.28 in ± 0.02 in).
2. Thread the cold-formed contact ferrule onto the stripped conductor and crimp using a crimping tool suitable for the cold-formed contact ferrule.
3. Guide the conductor with the cold-formed contact ferrule into the connector until the cold-formed contact ferrule snaps audibly into place in the DC connector.
4. Ensure that the conductor with the cold-formed contact ferrule is plugged far enough into the DC connector and has snapped into place.
5. Tighten the DC connector swivel nut (Torque: 3.5 Nm to 4 Nm (31 in-lb to 35 in-lb)).

## 6.5.3 Connecting the PV Array

**NOTICE****Damage to the inverter due to ground fault on DC side during operation**

Due to the transformerless topology of the product, the occurrence of ground faults on DC side during operation can lead to irreparable damage. Damages to the product due to a faulty or damaged DC installation are not covered by warranty. The product is equipped with a protective device that checks whether a ground fault is present during the starting sequence. The product is not protected during operation.

- Ensure that the DC installation is carried out correctly and no ground fault occurs during operation.

**NOTICE****Damage to the DC connectors due to the use of contact cleaner of other cleaning agents**

Some contact cleaners or other cleaning agents may contain substances that decompose the plastic of the DC connectors.

- Do not use contact cleaners or other cleaning agents for cleaning the DC connectors.

**NOTICE****Destruction of the inverter due to overvoltage**

If the open-circuit voltage of the PV modules exceeds the maximum input voltage of the inverter, the inverter can be destroyed due to overvoltage.

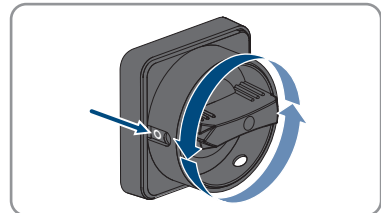
- If the open-circuit voltage of the PV modules exceeds the maximum input voltage of the inverter, do not connect any strings to the inverter and check the design of the PV system.

**NOTICE****Destruction of the measuring device due to overvoltage**

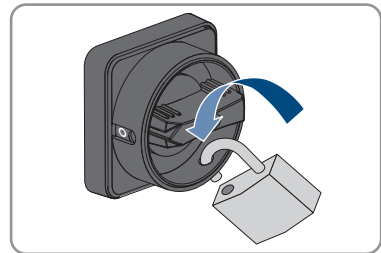
- Only use measuring devices with a DC input voltage range of 1000 V or higher.

**Procedure:**

1. Ensure that the circuit breaker is switched off and that it cannot be reconnected.
2. Ensure that the AC load-break switch and the DC load-break switch are in the **O** position and are secured against reconnection.



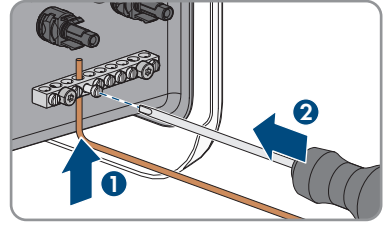
3. Secure the DC load-break switch against reconnection using a padlock.



4. Connect each equipment grounding conductor of the PV array to an equipment grounding terminal:
  - Strip the insulation of the equipment grounding conductor by 10 mm (0.4 in).



- Plug the equipment grounding conductor into a contact opening on the equipment grounding terminal and tighten the corresponding screw using a cross-head screwdriver (Torque: 4 Nm (35 in-lb)).



5. Check whether the DC connectors have the correct polarity.

If the DC connector is equipped with a DC cable of the wrong polarity, the DC connector must be reassembled. The DC cable must always have the same polarity as the DC connector.

6. Ensure that the open-circuit voltage of the PV array does not exceed the maximum input voltage of the inverter and that there are no ground faults present in the PV arrays.
7. Connect the assembled DC connectors to the inverter.

- ☑ The DC connectors snap into place.

8. Ensure that all DC connectors are securely in place.

9.

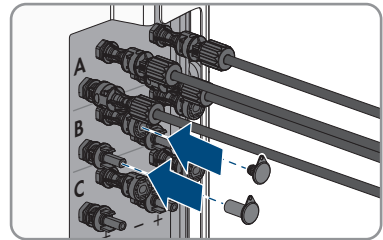
## NOTICE

### Damage to the product due to sand, dust and moisture ingress if the DC inputs are not closed

The product is only properly sealed when all unused DC inputs are closed with DC connectors and sealing plugs. Sand, dust and moisture penetration can damage the product and impair its functionality.

- Seal all unused DC inputs using the sealing plugs as described in the following.

- Insert the sealing plugs into the unoccupied DC connectors on the inverter.



## 7 Commissioning

### 7.1 Commissioning Procedure

This section describes the commissioning procedure and gives an overview of the steps you must perform in the prescribed order.

Procedure	See
1. Commission the inverter.	see section 7.2, page 42
2. Establish a connection to the user interface of the inverter. There are various connection options to choose from for this: <ul style="list-style-type: none"> <li>• Direct connection via WLAN</li> <li>• Connection via WLAN in the local network</li> <li>• Connection via Ethernet in the local network</li> </ul>	see section 7.3, page 44
3. Log into the user interface.	see section 7.4, page 48
4. Select the inverter configuration option. Please note that the SMA Grid Guard code for changing the grid-relevant parameters must be available after completion of the first ten feed-in hours or installation assistant (see "Application for the SMA Grid Guard code" available at <a href="http://www.SMA-Solar.com">www.SMA-Solar.com</a> ).	see section 7.5, page 49
5. If necessary, set the parameters for voltage and frequency monitoring.	see section 7.6, page 51
6. Ensure that the country data set has been configured correctly.	Inverter user manual
7. Make further inverter settings as needed.	Inverter user manual

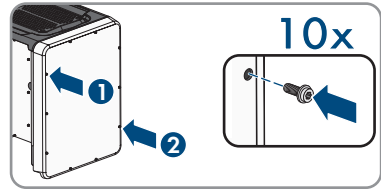
### 7.2 Commissioning the Inverter

#### Requirements:

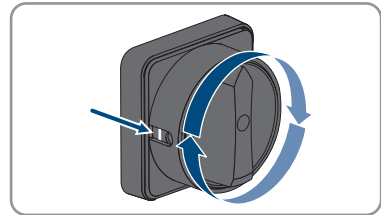
- A means of disconnecting the inverter from the PV array must be present.
- The AC circuit breaker must be correctly rated and mounted.
- The inverter must be correctly mounted.
- All conductors must be correctly connected.
- Unused enclosure openings must be sealed tightly with sealing plugs.

**Procedure:**

1. Position the enclosure lid of the AC-Connection Unit on the AC-Connection Unit and first tighten the upper-left and lower-right screws, and then the remaining screws crosswise (TX 25, torque: 6 Nm (53 in-lb)).



2. Position the enclosure lid of the DC-Connection Unit on the DC-Connection Unit and first tighten the upper-left and lower-right screws, and then the remaining screws crosswise (TX 25, torque: 6 Nm (53 in-lb)).
3. Turn the DC load-break switch of the inverter to position I. To do so, first remove the padlock.



4. Turn the AC load-break switch of the inverter to position I.
5. Switch on the AC circuit breaker.
  - All three LEDs light up. The start-up phase begins.
  - All three LEDs go out again after approximately 90 seconds.
  - Depending on the available power, the green LED pulses or is continuously illuminated. The inverter is feeding in.
6. If the green LED is still flashing, the conditions for activating feed-in operation are not yet met. As soon as the conditions for feed-in operation are met, the inverter starts with feed-in operation and, depending on the available power, the green LED will light up continuously or it will pulse.
7. If the red LED lights up, an event has occurred. Find out which event has occurred and, if necessary, initiate countermeasures.

## 7.3 Establishing a connection to the user interface

### 7.3.1 Establishing a Direct Connection via Ethernet

#### Requirements:

- The product must be commissioned.
- An end device (e.g. computer) with an Ethernet interface must be available.
- The product must be connected directly to the end device.
- The respective latest version of one of the following web browsers must be installed: Chrome, Edge, Firefox, Internet Explorer or Safari.
- The SMA Grid Guard code of the Installer must be available for the changing of grid-relevant settings after completion of the first ten feed-in hours or installation assistant (see "Application for SMA Grid Guard Code" at [www.SMA-Solar.com](http://www.SMA-Solar.com)).

#### **i** IP address of the inverter

- Standard inverter IP address for direct connection via Ethernet: 169.254.12.3

#### Procedure:

1. Open the web browser of your device, enter the IP address **169.254.12.3** in the address line and press the enter key.
  2. **i** **Web browser signals a security vulnerability**  
 After the IP address has been confirmed by pressing the enter key, a message might appear indicating that the connection to the user interface of the inverter is not secure. SMA Solar Technology AG guarantees that calling up the user interface is secure.
    - Continue loading the user interface.
- The login page of the user interface opens.

### 7.3.2 Establishing a direct connection via WLAN

#### Requirements:

- The product must be commissioned.
- An end device (e.g. computer, tablet PC or smartphone) must be available.
- The respective latest version of one of the following web browsers must be installed: Chrome, Edge, Firefox, Internet Explorer or Safari.
- JavaScript must be enabled in the web browser of the end device.
- The SMA Grid Guard code of the Installer must be available for the changing of grid-relevant settings after completion of the first ten feed-in hours or installation assistant (see "Application for SMA Grid Guard Code" at [www.SMA-Solar.com](http://www.SMA-Solar.com)).

### **i** SSID, IP address and necessary passwords

- SSID in WLAN: SMA[serial number] (e.g. SMA0123456789)
- Standard WLAN password (usable until completion of the configuration by means of the installation assistant or prior to the end of the first ten feed-in hours): SMA12345
- Device-specific WLAN password (usable for initial configuration to completion of the first ten feed-in hours): see WPA2-PSK on the type label of the inverter or on the back of the manual included in the delivery
- Standard IP address for a direct connection via WLAN outside of a local network: 192.168.12.3

### **i** Importing and exporting files with end devices having an iOS operating system is not possible.

For technical reasons, importing and exporting files (e.g. importing an inverter configuration, saving the current inverter configuration or exporting events and parameters) is not possible with mobile end devices having an iOS operating system.

- Use an end device that does not have an iOS operating system for importing and exporting files.

The procedure can be different depending on the end devices. If the procedure described does not apply to your end device, establish the direct connection via WLAN as described in the manual of your end device.

#### **Procedure:**

1. If your end device has a WPS function:
  - Activate the WPS function on the inverter. To do this, tap twice in succession on the enclosure lid of the DC-Connection Unit next to the LEDs.
    - The blue LED flashes quickly for approx. two minutes. The WPS function is active during this time.
  - Activate the WPS on your end device.
    - The connection with your end device will be established automatically. It can take up to 20 seconds for this connection to be established.
2. If your end device has not a WPS function:
  - Search for WLAN networks with your end device.
  - Select the SSID of the inverter **SMA[serial number]** in the list with the found WLAN networks.
  - Enter the inverter WLAN password. Within the first ten feed-in hours and prior to completing the configuration by means of the installation assistant, you must use the standard WLAN password **SMA12345**. After the first ten feed-in hours or after completing the configuration by means of the installation assistant, you must use the device-specific WLAN password (WPA2-PSK) of the inverter. You find the WLAN password (WPA2-PSK) on the type label.
3. Enter the IP address **192.168.12.3** or, if your device supports mDNS services, **SMA[serial number].local** or **https://SMA[serial number]** in the address bar of the web browser and press the enter key.

#### 4. **i** Web browser signals a security vulnerability

After the IP address has been confirmed by pressing the enter key, a message might appear indicating that the connection to the user interface of the inverter is not secure. SMA Solar Technology AG guarantees that calling up the user interface is secure.

- Continue loading the user interface.

The login page of the user interface opens.

### 7.3.3 Establishing a Connection via Ethernet in the local network

#### **i** New IP address for connecting with a local network

If the product is connected to a local network (e.g. via a router), the product will receive a new IP address. Depending on the type of configuration, the new IP address will be assigned automatically by the DHCP server (router) or manually by you. Upon completion of the configuration, the product can only be reached via the following access addresses:

- Generally applicable access address: IP address manually assigned or assigned by the DHCP server (router) (identification via network scanner software or network configuration of the router).
- Access address for Apple and Linux systems: SMA[serial number].local (e.g. SMA0123456789.local)
- Access address for Windows and Android systems: https://SMA[serial number] (e.g. https://SMA0123456789)

#### Requirements:

- The product must be connected to the local network via a network cable (e.g. via a router).
- The product must be integrated into the local network. Tip: There are various methods of integrating the product into the local network with the aid of the installation assistant.
- An end device (e.g. computer, tablet PC or smartphone) must be available.
- The end device must be in the same local network as the product.
- The respective latest version of one of the following web browsers must be installed: Chrome, Edge, Firefox, Internet Explorer or Safari.
- The SMA Grid Guard code of the Installer must be available for the changing of grid-relevant settings after completion of the first ten feed-in hours or installation assistant (see "Application for SMA Grid Guard Code" at [www.SMA-Solar.com](http://www.SMA-Solar.com)).

#### Procedure:

1. Open the web browser of your end device, enter the IP address of the inverter in the address line of the web browser and press the enter key.

## 2. **i** Web browser signals a security vulnerability

After the IP address has been confirmed by pressing the enter key, a message might appear indicating that the connection to the user interface of the inverter is not secure. SMA Solar Technology AG guarantees that calling up the user interface is secure.

- Continue loading the user interface.

- The login page of the user interface opens.

## 7.3.4 Establishing a Connection via WLAN in the Local Network

### **i** New IP address for connecting with a local network

If the product is connected to a local network (e.g. via a router), the product will receive a new IP address. Depending on the type of configuration, the new IP address will be assigned automatically by the DHCP server (router) or manually by you. Upon completion of the configuration, the product can only be reached via the following access addresses:

- Generally applicable access address: IP address manually assigned or assigned by the DHCP server (router) (identification via network scanner software or network configuration of the router).
- Access address for Apple and Linux systems: SMA[serial number].local (e.g. SMA0123456789.local)
- Access address for Windows and Android systems: https://SMA[serial number] (e.g. https://SMA0123456789)

#### Requirements:

- The product must be commissioned.
- The product must be integrated into the local network. Tip: There are various methods of integrating the product into the local network with the aid of the installation assistant.
- An end device (e.g. computer, tablet PC or smartphone) must be available.
- The end device must be in the same local network as the product.
- The respective latest version of one of the following web browsers must be installed: Chrome, Edge, Firefox, Internet Explorer or Safari.
- The SMA Grid Guard code of the Installer must be available for the changing of grid-relevant settings after completion of the first ten feed-in hours or installation assistant (see "Application for SMA Grid Guard Code" at [www.SMA-Solar.com](http://www.SMA-Solar.com)).

### **i** Importing and exporting files with end devices having an iOS operating system is not possible.

For technical reasons, importing and exporting files (e.g. importing an inverter configuration, saving the current inverter configuration or exporting events and parameters) is not possible with mobile end devices having an iOS operating system.

- Use an end device that does not have an iOS operating system for importing and exporting files.

#### Procedure:

1. Enter the IP address of the inverter in the address bar of the web browser.

## 2. **Web browser signals a security vulnerability**

After the IP address has been confirmed by pressing the enter key, a message might appear indicating that the connection to the user interface of the inverter is not secure. SMA Solar Technology AG guarantees that calling up the user interface is secure.

- Continue loading the user interface.

The login page of the user interface opens.

## 7.4 Logging Into the User Interface

After a connection to the user interface of the inverter has been established, the login page opens. Log onto the user interface as described below.

### Procedure:

1. In the drop-down list **Language**, select the desired language.
2. In the **User group** drop-down list, select the entry **Installer**.
3. In the **New password** field, enter a new password for the **Installer** user group.
4. In the **Repeat password** field, enter the new password again.
5. Select **Login**.

The **Configuring the Inverter** page opens.



## 7.5 Selecting a configuration option

After you have logged onto the user interface as **Installer**, the **Configuring the Inverter** page opens.

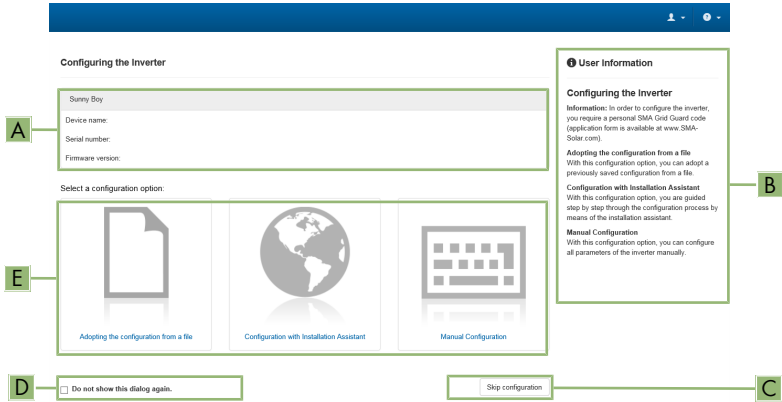


Figure 12 : Layout of the **Configuring the Inverter** page

Position	Designation	Description
A	Device information	Provides the following information: <ul style="list-style-type: none"> <li>• Device name</li> <li>• Inverter serial number</li> <li>• Inverter firmware version</li> </ul>
B	User information	Provides brief information on the listed configuration options
C	Skip configuration	Offers the option of skipping the inverter configuration and go directly to the user interface (not recommended)
D	Checkbox	Allows you to choose not to have the displayed page displayed again when the user interface is called up again
E	Configuration options	Provides a selection of the various configuration options

**Procedure:**

On the **Configuring the Inverter** page, different configuration options are available to choose from. Select one of the options and proceed for the selected option as described below. SMA Solar Technology AG recommends carrying out the configuration with the installation assistant. This way, you ensure that all relevant parameters are set for optimal inverter operation.

- Adoption of configuration from a file

- Configuration with the installation assistant (recommended)
- Manual configuration

**i** **Accepting the settings**

Saving the made settings is indicated by an hourglass symbol on the user interface. If the DC voltage is sufficient, the data is transferred directly to the inverter and accepted. If the DC voltage is too low (e. g. in the evening), the settings are saved, but they cannot be directly transferred to or accepted by the inverter. As long as the inverter has not yet received and accepted the settings, the hourglass symbol will continue to be displayed on the user interface. The settings will be accepted when there is sufficient DC voltage applied and the inverter restarts. As soon as the hourglass symbol appears on the user interface, the settings have been saved. The settings will not be lost. You can log off of the user interface and leave the system.

**Adopting the Configuration from a File**

You can adopt the inverter configuration from a file. To do this, there must be an inverter configuration saved to a file.

**Procedure:**

1. Select the configuration option **Adopting configuration from a file**.
2. Select [**Browse...**] and select the desired file.
3. Select [**Import file**].

**Configuring the Installation Assistant (Recommended)**

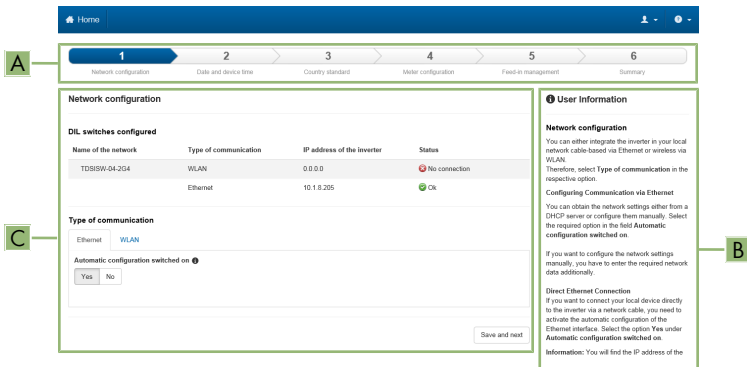


Figure 13 : Layout of the installation assistant (example)

Position	Designation	Description
A	Configuration steps	Overview of the installation assistant steps. The number of steps depends on the type of device and the additionally installed modules. The current step is highlighted in blue.

Position	Designation	Description
B	User information	Information about the current configuration step and the setting options of the configuration step.
C	Configuration field	You can make settings in this field.

**Procedure:**

1. Select the configuration option **Configuration with Installation Assistant**.
  - The installation assistant will open.
2. Follow the installation assistant steps and make the settings appropriate for your system.
3. For every setting made in a step, select [**Save and next**].
  - In the last step, all made settings are listed in a summary.
4. To save the settings to a file, select [**Export a summary**] and save the file on your computer, tablet PC or smartphone.
5. To export all parameters and their settings, select [**Export all parameters**]. This exports all parameters and their settings into an HTML file.
6. To correct settings you made, select [**Back**], navigate to the desired step, correct settings and select [**Save and continue**].
7. Once all settings are correct, select [**Next**] in the summary.
  - The start page of the user interface opens.

**Manual configuration**

You can configure the inverter manually by setting the desired parameters.

**Procedure:**

1. Select the configuration option **Manual Configuration**.
  - The **Device Parameters** menu on the user interface will open and all available parameter groups of the inverter will be displayed.
2. Select [**Edit parameters**].
3. Select the desired parameter group.
  - All available parameters of the parameter group will be displayed.
4. Set the desired parameters.
5. Select [**Save all**].
  - The inverter parameters are set.

**7.6 Adjustable Parameters**

You can set the following parameters for voltage and frequency monitoring via the user interface of the inverter (see the inverter user manual for the description of the basic procedure for the change of operating parameters)

The voltage specifications are based on the line-to-neutral voltages. If the set values are present as line-to-line voltages, these have to be converted to line-to-neutral voltages.

Name	Value/range	Default value
<b>Voltage monitoring of upper maximum threshold as RMS value</b>	220 V to 332.4 V	332.4 V
<b>Voltage monitoring median maximum threshold (Overvoltage/Fast)</b>	220 V to 332.4 V	332.4 V
<b>Voltage monitoring lower maximum threshold (Overvoltage/Slow)</b>	220 V to 305 V	304.7 V
<b>Voltage monitoring upper minimum threshold (Undervoltage/Slow)</b>	103.5 V to 277.0 V	243.8 V
<b>Voltage monitoring of median minimum threshold (Undervoltage/Fast)</b>	103.5 V to 277.0 V	138.5 V
<b>Voltage monitoring of lower minimum threshold as RMS value</b>	103.5 V to 277 V	138.5 V
<b>Voltage monitoring of upper max. thresh. as RMS value for tripping time</b>	0.05 s to 59 s	0.16 s
<b>Voltage monitoring median max. threshold trip.time (Overvoltage/Fast, maximum time)</b>	0.05 s to 59 s	0.16 s
<b>Voltage monitoring lower max. threshold trip. time (Overvoltage/Slow, maximum time)</b>	0.1 s to 60 s	1.0 s
<b>Voltage monitoring upper min. threshold trip. time (Undervoltage/Slow, maximum time)</b>	0.1 s to 60 s	2.0 s
<b>Voltage monitoring median min. threshold trip.time (Undervoltage/Fast, maximum time)</b>	0.1 s to 60 s	0.16 s
<b>Voltage monitoring of lower min.threshold as RMS value for tripping time</b>	0.1 s to 60 s	0.16 s
<b>Frequency monitoring upper minimum threshold (Underfrequency)</b>	44 Hz to 60 Hz	59.3 Hz
<b>Frequency monitoring lower maximum threshold (Overfrequency)</b>	50 Hz to 66 Hz	60.5 Hz
<b>Frq. monitoring upper min. threshold trip. time (Underfrequency, maximum time)</b>	0.1 s to 1000 s	0.16 s
<b>Frq. monitoring lower max. threshold trip. time (Overfrequency, maximum time)</b>	0.1 s to 1000 s	0.16 s

## 8 Disconnecting the Inverter from Voltage Sources

Prior to performing any work on the inverter, always disconnect it from all voltage sources as described in this section. Always adhere to the prescribed sequence.

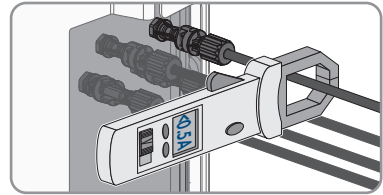
### NOTICE

#### Destruction of the measuring device due to overvoltage

- Only use measuring devices with a DC input voltage range of 1000 V or higher.

#### Procedure:

1. Disconnect the AC circuit breaker and secure it against reconnection.
2. Set the AC load-break switch of the inverter to position **O**.
3. Secure the AC load-break switch against reconnection using a suitable padlock.
4. Set the DC load-break switch of the inverter to position **O**.
5. Secure the DC load-break switch against reconnection using a suitable padlock.
6. If the multifunction relay is used, switch off any supply voltage to the load.
7. Wait until the LEDs have gone out.
8. Use a current clamp to ensure that no current is present in the DC conductors.



9.

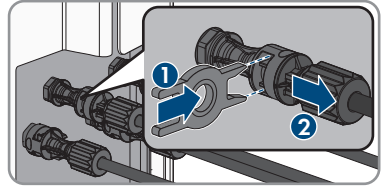
### **⚠ DANGER**

#### **Danger to life due to electric shock when touching exposed DC conductors or DC plug contacts if the DC connectors are damaged or loose**

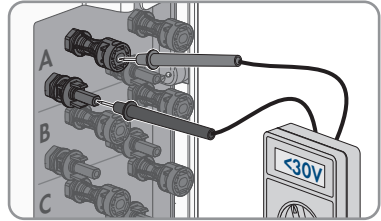
The DC connectors can break or become damaged, become free of the DC cables, or no longer be connected correctly if the DC connectors are released and disconnected incorrectly. This can result in the DC conductors or DC plug contacts being exposed. Touching live DC conductors or DC plug connectors will result in death or serious injury due to electric shock.

- Wear insulated gloves and use insulated tools when working on the DC connectors.
- Ensure that the DC connectors are in perfect condition and that none of the DC conductors or DC plug contacts are exposed.
- Carefully release and remove the DC connectors as described in the following.

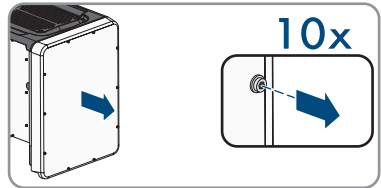
10. Unlock the DC connector using the corresponding unlocking tool and remove (refer to the manufacturer manual for further information).



11. Ensure that no voltage is present at the DC inputs on the inverter using a suitable measuring device.



12. Unscrew (TX25) all ten screws of the enclosure lid of the AC-Connection Unit and remove the enclosure lid carefully towards the front.



13. Set the screws and the enclosure lid aside and store safely.
14. Ensure there is no voltage on the AC terminal block between L1 and N, L2 and N, and L3 and N using a suitable measuring device. To do so, insert the test probe (maximum diameter: 2.5 mm (0.078 in)) into the measuring points of the respective terminal blocks.
15. Ensure there is no voltage on the AC terminal block between L1 and PE, L2 and PE, and L3 and PE using a suitable measuring device. To do so, insert the test probe (maximum diameter: 2.5 mm (0.078 in)) into the measuring points of the respective terminal blocks.

## 9 Decommissioning the Inverter

To decommission the inverter completely upon completion of its service life, proceed as described in this Section.

### ⚠ CAUTION

#### Risk of injury when lifting the inverter, or if it is dropped

The inverter weighs 84 kg (185.2 lbs). You risk injury if you lift the inverter incorrectly or if it is dropped while being transported or mounted.

- Carry and lift the inverter in an upright position with several people without tilting it.

#### Requirements:

- A pallet must be available.
- Original packaging with paddings must be available.
- All transport handles must be in place.

#### Procedure:

1.

### ⚠ DANGER

#### Danger to life due to high voltages

- Disconnect the inverter from all voltage sources (see Section 8, page 53).

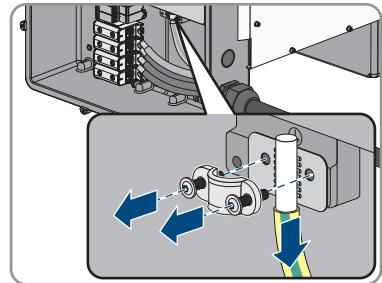
2.

### ⚠ CAUTION

#### Risk of burns due to hot enclosure parts

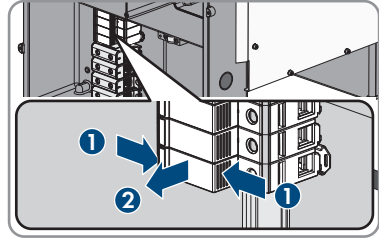
- Wait 30 minutes for the enclosure to cool down.

3. Remove the AC conductors from the inverter. Loosen the screws (TX 30) and pull the cables out of the terminal point.
4. Remove the equipment grounding conductor of the utility grid from the equipment grounding terminal: Loosen the screws (TX 25) and pull the equipment grounding conductor out under the clip.

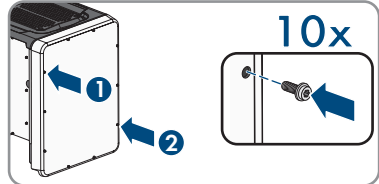


5. Remove all AC conductors from the inverter.
6. Remove the conduit from the enclosure opening in the AC connection unit. To do this, screw the sleeves out of the enclosure opening from the inside.

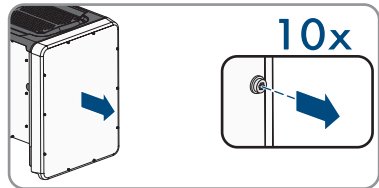
7. When the AC surge arresters are inserted, pull the surge arresters out of the slots. To do so, squeeze the grooved areas on the left and right sides of the surge arrester.



8. Position the enclosure lid of the AC-Connection Unit on the AC-Connection Unit and first tighten the upper-left and lower-right screws, and then the remaining screws crosswise (TX 25, torque: 6 Nm (53 in-lb)).

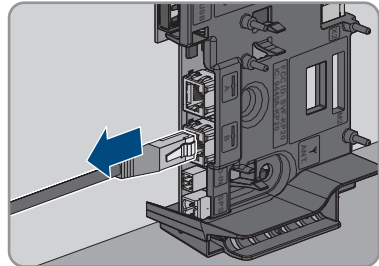


9. Unscrew (TX25) all ten screws of the enclosure lid of the DC-Connection Unit and remove the enclosure lid carefully towards the front.



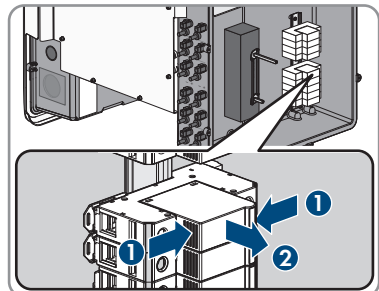
10. Set the screws and the enclosure lid aside and store safely.

11. Remove all connection cables from the communication assembly and pull out the connection cables out of the DC-Connection Unit.



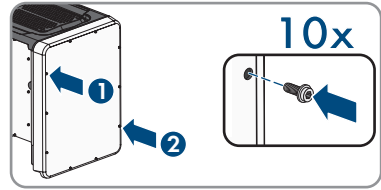
12. Remove all conduits with conductors from the inverter. To do this, screw the conduit fittings out of the enclosure openings from the inside.

13. When the DC surge arresters are inserted, pull the surge arresters out of the slots. To do so, squeeze the grooved areas on the left and right sides of the surge arrester.

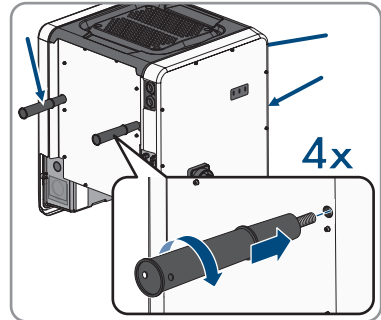




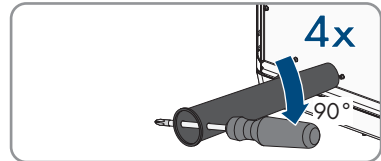
14. Position the enclosure lid of the DC-Connection Unit on the DC-Connection Unit and first tighten the upper-left and lower-right screws, and then the remaining screws crosswise (TX 25, torque: 6 Nm (53 in-lb)).



15. Screw all four transport handles as far as they will go into the taps on the right- and left-hand side until they lie flush with the enclosure. When doing so, ensure that the transport handles are screwed into the taps so that they are perfectly straight. If the transport handles are not screwed in straight, this can make it more difficult or even impossible to unscrew them later on and can damage the taps to the extent that transport handles can no longer be screwed into them.



16. Insert a screwdriver into the holes in the transport handle and turn the screwdriver through 90°. This ensures that the transport handles are securely tightened.



17. To remove the feet or profile rails, lay the inverter carefully on the AC-Connection Unit side.

18. If the inverter is to be stored or shipped, pack the inverter in its original packaging.

- Place the lower part of the original packaging with padding on the pallet
- Place the inverter with padding on the pallet. For this purpose, put the AC-Connection Unit side of the inverter on top of the padding.
- Remove all four transport handles from the taps. If necessary, insert a screwdriver into the holes on the transport handle and use the screwdriver to remove the transport handle.
- Pull the upper part of the original packaging over the inverter.
- Insert the upper padding.
- Close the packaging.
- Secure the packaging and pallet with strapping or with fastening belts.

19. Dispose of the inverter in accordance with the locally applicable disposal regulations for electronic waste.

# 10 Technical Data

## DC Input

	STP 33-US-41	STP 50-US-41	STP 62-US-41
Maximum PV array power	50000 W <sub>p</sub>	75000 W <sub>p</sub>	93750 W <sub>p</sub>
Maximum input voltage	1000 V	1000 V	1000 V
MPP voltage range	330 V to 800 V	500 V to 800 V	550 V to 800 V
Rated input voltage	683 V	725 V	725 V
Minimum input voltage	150 V	150 V	150 V
Initial input voltage	188 V	188 V	188 V
Maximum input current per DC connector	20 A	20 A	20 A
Maximum input current per input	20 A	20 A	20 A
Maximum short-circuit current per input	30 A	30 A	30 A
Number of independent MPP inputs	6	6	6
DC connectors per MPP input	2	2	2

## AC output

	STP 33-US-41	STP 50-US-41	STP 62-US-41
Rated power at 277 V, 60 Hz	33300 W	50000 W	62500 W
Maximum apparent AC power	33300 VA	53000 VA	66000 VA
Rated grid voltage	277 V	277 V	277 V
Nominal AC voltage	480 V / 277 V	480 V / 277 V	480 V / 277 V
AC voltage range*	244 V to 304.7 V	244 V to 304.7 V	244 V to 304.7 V
Nominal AC current at 277 V	40 A	64 A	79.5 A
Maximum output current	40 A	64 A	80 A

	STP 33-US-41	STP 50-US-41	STP 62-US-41
Total harmonic distortion of the output current with total harmonic distortion of the AC voltage <2%, and AC power >50% of the rated power	< 3 %	< 3 %	< 3 %
Maximum residual output current	440 A <sub>peak</sub>	440 A <sub>peak</sub>	440 A <sub>peak</sub>
Duration of the maximum residual output current	26 ms	26 ms	26 ms
Current unbalance	0.06 %	0.07 %	0.09 %
Line synchronization characteristics	Method 2	Method 2	Method 2
Rated power frequency	60 Hz	60 Hz	60 Hz
Operating range at AC power frequency 60 Hz	54 Hz to 66 Hz	54 Hz to 66 Hz	54 Hz to 66 Hz
Limits of accuracy of voltage measurement	2% of the AC voltage	2% of the AC voltage	2% of the AC voltage
Limits of accuracy of frequency measurement	±0.1 Hz	±0.1 Hz	±0.1 Hz
Limits of accuracy of time measurement at nominal trip time	± 0.1 %	± 0.1 %	± 0.1 %
Limits of accuracy of current measurement	1% of the AC current	1% of the AC current	1% of the AC current
Limits of accuracy of power (active/reactive) measurement	5% of the nominal AC power	5% of the nominal AC power	5% of the nominal AC power
Limits of accuracy of power factor measurement	0.01	0.01	0.01
Limits of accuracy of time measurement	0.001 s	0.001 s	0.001 s

	STP 33-US-41	STP 50-US-41	STP 62-US-41
Output power at +60°C (+140°F) at minimum MPP voltage	> 27.6 kVA	> 34 kVA	> 40.8 kVA
Output power at +60°C (+140°F) at maximum MPP voltage	> 33.3 kVA	> 38.5 kVA	40.2 kVA
Power factor at rated power	1	1	1
Range of the displacement power factor (adjustable)	0.0 overexcited to 0.0 underexcited	0.0 overexcited to 0.0 underexcited	0.0 overexcited to 0.0 underexcited
Output phases	3	3	3
Line conductor	3-(N)-PE	3-(N)-PE	3-(N)-PE
Overvoltage category in accordance with UL 1741	IV	IV	IV

\* Depending on the configured country data set

## Efficiency

	STP 33-US-41	STP 50-US-41	STP 62-US-41
Maximum efficiency, $\eta_{\max}$	98.2 %	98.2 %	98.2 %
CEC efficiency, $\eta_{\text{CEC}}$	97.5 %	97.5 %	97.5 %

## Multifunction relay

Maximum DC switching voltage	30 V
Maximum AC switching current	1.0 A
Maximum DC switching current	1.0 A
Minimum load	0.1 W
Minimum electrical endurance when the maximum switching voltage and maximum switching current are complied with*	100000 switching cycles

\* Corresponds to 20 years at 12 switching operations per day

## Protective Devices

DC reverse polarity protection	Short-circuit diode
Input-side disconnection point	DC load-break switch

Output-side service switch, listed in accordance with UL 508	AC load-break switch
DC overvoltage protection	Surge arrester type 2 or type 1+2 (optional)
AC overvoltage protection"	Surge arrester type 2 or type 1+2 (optional)
AC short-circuit current capability	Current control
Grid monitoring	SMA Grid Guard 3
Maximum overcurrent protection	100 A
Ground-fault monitoring for STP 33-US-41	Insulation monitoring: $R_{iso} > 150 \text{ k}\Omega$
Ground-fault monitoring for STP 50-US-41 / STP 62-US-41	Insulation monitoring: $R_{iso} > 100 \text{ k}\Omega$
All-pole sensitive residual-current monitoring unit	Available
Arc fault detection AFCI, type 1, listed according to UL1699B Ed. 1	Available
Rapid Shutdown Equipment	Self discharge at all DC and AC connection lines < 30 V

## General data

Width x height x depth without feet and without disconnectors	621 mm x 733 mm x 569 mm (24.4 in x 28.8 in x 22.4 in)
Weight	84 kg (185.2 lbs)
Length x width x height of the packaging	800 mm x 600 mm x 886 mm (31.5 in x 23.6 in x 34.9 in)
Transport weight (including pallet)	100 kg (220.46 lbs)
Operating temperature range	-25°C to +60°C (-13°F to +140°F)
Storage temperature	-40°C to +70°C (-40°F to +158°F)
Maximum permissible value for relative humidity, non-condensing	100 %
Maximum operating altitude above mean sea level (MSL)	3000 m (9843 ft)
Typical noise emission	64 dB(A)
Power loss in night mode	5 W
Topology	Transformerless
Cooling method	SMA OptiCool
Number of fans	3
Enclosure degree of protection according to UL 50	Type 4X/3SX

Protection class	I
Grid configurations	277/480 V wye connection
National standards and approvals, as per 12/2018	UL 1741 2018, UL 1741 SA, UL 1699B Ed. 1, IEEE 1547, <i>Canadian Electrical Code</i> ® CSA 22.2 107-1-16, FCC Part 15 (Class A)

## Climatic Conditions

### Installation in accordance with IEC 60721-3-4, Class 4K4H

Extended temperature range	-25°C to +60°C (-13°F to +140°F)
Extended humidity range	0% to 100%
Threshold for relative humidity, non-condensing	100 %
Extended air pressure range	79.5 kPa to 106 kPa

### Transport in accordance with IEC 60721-3-4, Class 2K3

Temperature range	-40°C to +70°C (-40°F to +158°F)
-------------------	----------------------------------

## Equipment

DC connection	Amphenol UTX PV connector
AC connection	Screw terminals
Multifunction relay	As standard
Surge protection devices type 2 and type 1+2 for AC and/or DC	Optional

## Torques

Screws for the DC-Connection Unit and AC-Connection Unit enclosure lids	6 Nm (53 in-lb)
Screws AC terminals	14 Nm (126 in-lb)
Screws for attaching the feet or profile rails	16 Nm (142 in-lb)
Screws for the cover on the top of the inverter	6 Nm (53 in-lb)
Screws for the equipment grounding terminal for connecting the utility grid equipment grounding conductor	6 Nm (53 in-lb)
Screws for the equipment grounding terminal for connecting the equipment grounding conductor of the PV array	4 Nm (35 in-lb)

## Data Storage Capacity

Daily energy yields	63 days
---------------------	---------

Daily yields	30 years
Event messages for users	1024 events
Event messages for installers	1024 events

# 11 Compliance Information

## FCC Compliance

This device complies with Part 15 of the FCC Rules and with Industry Canada licence-exempt RSS standard(s).

Operation is subject to the following two conditions:

1. this device may not cause harmful interference, and
2. this device must accept any interference received, including interference that may cause undesired operation.

Le présent appareil est conforme aux CNR d'Industrie Canada applicables aux appareils radio exempts de licence.

L'exploitation est autorisée aux deux conditions suivantes :

1. l'appareil ne doit pas produire de brouillage, et
2. l'utilisateur de l'appareil doit accepter tout brouillage radioélectrique subi, même si le brouillage est susceptible d'en compromettre le fonctionnement.

This device complies with Part 15 of the FCC Rules and with Industry Canada licence-exempt RSS standard(s).

Operation is subject to the following two conditions:

1. this device may not cause harmful interference, and
2. this device must accept any interference received, including interference that may cause undesired operation.

Le présent appareil est conforme aux CNR d'Industrie Canada applicables aux appareils radio exempts de licence.

L'exploitation est autorisée aux deux conditions suivantes :

1. l'appareil ne doit pas produire de brouillage, et
2. l'utilisateur de l'appareil doit accepter tout brouillage radioélectrique subi, même si le brouillage est susceptible d'en compromettre le fonctionnement.

NOTE: This equipment has been tested and found to comply with the limits for a Class A digital device, pursuant to Part 15 of the FCC Rules. These limits are designed to provide reasonable protection against harmful interference when the equipment is operated in a commercial environment. This equipment generates, uses, and can radiate radio frequency energy and, if not installed and used in accordance with the instruction manual, may cause harmful interference to radio communications. Operation of this equipment in a residential area is likely to cause harmful interference in which case the user will be required to correct the interference at his own expense.

Changes or modifications made to this equipment not expressly approved by SMA Solar Technology AG may void the FCC authorization to operate this equipment.

## IC Compliance

This Class A digital apparatus complies with Canadian ICES-003.

Cet appareil numérique de la classe A est conforme à la norme NMB-003 du Canada.



## 12 Contact

If you have technical problems with our products, please contact the SMA Service Line. The following data is required in order to provide you with the necessary assistance:

- Device type
- Serial number
- Firmware version
- Event message
- Mounting location and mounting height
- Type and number of PV modules
- Optional equipment, e.g. communication products
- Use the name of the system in Sunny Portal (if available)
- Access data for Sunny Portal (if available)
- Special country-specific settings (if available)
- Operating mode of the multifunction relay

United States	SMA Solar Technology America LLC Rocklin, CA	Toll free for USA and US Territories +1 877-MY-SMATech (+1 877-697-6283) International: +1 916 625-0870
Canada	SMA Solar Technology Canada Inc. Mississauga	Toll free for Canada / Sans frais pour le Canada : +1 877-MY-SMATech (+1 877-697-6283)
México	SMA Solar Technology de México Mexico City	Internacional: +1 916 625-0870

## Disposiciones legales

SMA Solar Technology AG es propietaria de todos los derechos de la información que se facilita en esta documentación. Queda prohibida la reproducción total o parcial de este documento, así como su almacenamiento en un sistema de recuperación y toda transmisión electrónica, mecánica, fotográfica, magnética o de otra índole sin previa autorización por escrito de SMA Solar Technology AG. Sí está permitida, sin necesidad de autorización previa, su reproducción para el uso interno, para evaluar el producto o para el uso previsto.

SMA Solar Technology AG no establece representaciones, ni expresas ni implícitas, con respecto a estas instrucciones o a cualquiera de los accesorios o software aquí descritos, incluyendo (sin limitación) cualquier garantía implícita en cuanto a utilidad, adaptación al mercado o aptitud para cualquier propósito particular. Tales garantías quedan expresamente denegadas. Ni SMA Solar Technology AG, ni sus distribuidores o vendedores serán responsables por ningún daño indirecto, incidental o resultante, bajo ninguna circunstancia.

La exclusión de garantías implícitas puede no ser aplicable en todos los casos según algunos estatutos, y por tanto la exclusión mencionada anteriormente puede no ser aplicable.

Las especificaciones están sujetas a cambios sin previo aviso. Se ha tratado por todos los medios de hacer que este documento sea completo y preciso y esté actualizado. Sin embargo, advertimos a los lectores que SMA Solar Technology AG se reserva el derecho de cambiar estas especificaciones sin previo aviso o conforme con las condiciones del existente contrato de entrega si lo consideran adecuado para optimizar el producto y su uso. SMA Solar Technology AG no será responsable por ningún daño, ya sea indirecto, incidental o resultante, como consecuencia de confiar en el material que se presenta, incluyendo, aunque no exclusivamente, omisiones, errores tipográficos, aritméticos o de listado en el material del contenido.

### Garantía de SMA

En [www.SMA-Solar.com](http://www.SMA-Solar.com) podrá descargar las condiciones de garantía actuales.

### Licencias de software

Encontrará las licencias del software utilizado en la interfaz de usuario del producto.

### Marcas registradas

Se reconocen todas las marcas registradas, incluso si no están señaladas por separado. La falta de señalización no implica que la mercancía o las marcas sean libres.

### SMA Solar Technology AG

Sonnenallee 1

34266 Niestetal

Alemania

Tel. +49 561 9522-0

Fax +49 561 9522-100

[www.SMA.de](http://www.SMA.de)

Email: [info@SMA.de](mailto:info@SMA.de)

Versión: 09/01/2019

Copyright © 2018 SMA Solar Technology AG. Reservados todos los derechos.

# Índice

<b>1</b>	<b>Indicaciones sobre este documento .....</b>	<b>69</b>
1.1	Área de validez.....	69
1.2	Grupo de destinatarios.....	69
1.3	Contenido y estructura del documento.....	69
1.4	Niveles de advertencia.....	69
1.5	Símbolos del documento .....	70
1.6	Marcas de texto en el documento .....	70
1.7	Denominación en el documento .....	70
1.8	Información adicional.....	71
<b>2</b>	<b>Seguridad .....</b>	<b>72</b>
2.1	Uso previsto.....	72
2.2	Indicaciones importantes para la seguridad.....	73
<b>3</b>	<b>Contenido de la entrega.....</b>	<b>77</b>
<b>4</b>	<b>Vista general del producto.....</b>	<b>78</b>
4.1	Descripción del producto .....	78
4.2	Símbolos del producto.....	79
4.3	Interfaces y funciones .....	80
4.4	Señales de los leds .....	84
<b>5</b>	<b>Montaje.....</b>	<b>86</b>
5.1	Requisitos para el montaje .....	86
5.2	Montaje del inversor.....	90
<b>6</b>	<b>Conexión eléctrica.....</b>	<b>92</b>
6.1	Vista general del área de conexión .....	92
6.2	Conexión de CA .....	93
6.2.1	Requisitos para la conexión de CA.....	93
6.2.2	Conexión del inversor a la red pública .....	95
6.3	Conexión del cable de red .....	97
6.4	Conexión del relé multifunción.....	99
6.4.1	Procedimiento para la conexión del relé multifunción.....	99
6.4.2	Modos de funcionamiento del relé multifunción .....	99
6.4.3	Variantes de conexión .....	100
6.4.4	Conexión al relé multifunción .....	103
6.5	Conexión de CC.....	105
6.5.1	Requisitos para la conexión de CC .....	105
6.5.2	Preparación de los conectadores de enchufe de CC.....	106

6.5.3	Conexión del generador fotovoltaico .....	107
<b>7</b>	<b>Puesta en marcha.....</b>	<b>110</b>
7.1	Procedimiento para la puesta en marcha .....	110
7.2	Puesta en marcha del inversor .....	110
7.3	Conexión con la interfaz de usuario .....	112
7.3.1	Conexión directa mediante ethernet .....	112
7.3.2	Conexión directa mediante WLAN.....	112
7.3.3	Conexión mediante ethernet en la red local .....	114
7.3.4	Conexión mediante WLAN en la red local.....	115
7.4	Inicio de sesión en la interfaz de usuario .....	116
7.5	Seleccione el tipo de configuración .....	117
7.6	Parámetros ajustables.....	120
<b>8</b>	<b>Desconexión del inversor de la tensión .....</b>	<b>122</b>
<b>9</b>	<b>Puesta fuera de servicio del inversor .....</b>	<b>125</b>
<b>10</b>	<b>Datos técnicos.....</b>	<b>128</b>
<b>11</b>	<b>Información de cumplimiento .....</b>	<b>134</b>
<b>12</b>	<b>Contacto .....</b>	<b>135</b>

# 1 Indicaciones sobre este documento

## 1.1 Área de validez

Este documento es válido para:

- STP 33-US-41 (Sunny Tripower CORE1-US)
- STP 50-US-41 (Sunny Tripower CORE1-US)
- STP 62-US-41 (Sunny Tripower CORE1-US)

## 1.2 Grupo de destinatarios

Las actividades descritas en este documento deben realizarlas exclusivamente especialistas que han de contar con esta cualificación:

- Conocimientos sobre los procedimientos y el funcionamiento de un inversor
- Formación sobre la gestión de peligros y riesgos relativos a la instalación, reparación y manejo de equipos eléctricos y plantas
- Formación profesional para la instalación y la puesta en marcha de equipos eléctricos y plantas
- Conocimiento de las leyes, normativas y directivas aplicables
- Conocimiento y seguimiento de este documento y de todas sus indicaciones de seguridad

## 1.3 Contenido y estructura del documento

Este documento describe la instalación, puesta en marcha y puesta fuera de servicio del producto. Encontrará la versión actual de este documento así como las instrucciones para el manejo de la interfaz de usuario ya la configuración de la localización de errores del producto en formato PDF y como el eManual en [www.SMA-Solar.com](http://www.SMA-Solar.com). Encontrará el código QR con el enlace al eManual en la portada del documento. También puede acceder al e-Manual a través de la interfaz de usuario del producto.

Las imágenes en este documento han sido reducidas a lo esencial y pueden diferir del producto original.

## 1.4 Niveles de advertencia

Cuando se trate con el producto pueden darse estos niveles de advertencia.

### PELIGRO

Representa una advertencia que, de no ser observada, causa la muerte o lesiones físicas graves.

### ADVERTENCIA

Representa una advertencia que, de no ser observada, puede causar la muerte o lesiones físicas graves.



**⚠ ATENCIÓN**

Representa una advertencia que, de no ser observada, puede causar lesiones físicas leves o de gravedad media.

**PRECAUCIÓN**

Representa una advertencia que, de no ser observada, puede causar daños materiales.

## 1.5 Símbolos del documento

Símbolo	Explicación
	Información importante para un tema u objetivo concretos, aunque no relevante para la seguridad
<input type="checkbox"/>	Requisito necesario para alcanzar un objetivo determinado
<input checked="" type="checkbox"/>	Resultado deseado
<b>x</b>	Posible problema
	Ejemplo

## 1.6 Marcas de texto en el documento

Marca de texto	Uso	Ejemplo
<b>Negrita</b>	<ul style="list-style-type: none"> <li>• Avisos</li> <li>• Conexiones</li> <li>• Elementos de una interfaz de usuario</li> <li>• Elementos que deben seleccionarse</li> <li>• Elementos que deben introducirse</li> </ul>	<ul style="list-style-type: none"> <li>• Conecte los conductores a los bornes de <b>X703:1</b> a <b>X703:6</b>.</li> <li>• Introduzca <b>10</b> en el campo <b>Minutos</b>.</li> </ul>
<b>&gt;</b>	<ul style="list-style-type: none"> <li>• Une varios elementos que deben seleccionarse.</li> </ul>	<ul style="list-style-type: none"> <li>• Seleccione <b>Ajustes &gt; Fecha</b>.</li> </ul>
<b>[Botón]</b> <b>[Tecla]</b>	<ul style="list-style-type: none"> <li>• Botones o teclas que deben seleccionarse o pulsarse</li> </ul>	<ul style="list-style-type: none"> <li>• Seleccione <b>[Enter]</b>.</li> </ul>

## 1.7 Denominación en el documento

Denominación completa	Denominación utilizada en este documento
Sunny Tripower CORE1-US	Inversor, producto

## 1.8 Información adicional

Encontrará más información en [www.SMA-Solar.com](http://www.SMA-Solar.com).

Título y contenido de la información	Tipo de información
Manejo, configuración y localización de errores	Instrucciones de uso (e-Manual)
"Formulario de solicitud del código SMA Grid Guard"	Formulario
"PUBLIC CYBER SECURITY - Guidelines for a Secure PV System Communication"	Información técnica
"Rendimiento y derrateo" Rendimiento y comportamiento de derrateo de los inversores de SMA	Información técnica
"Grid Support Utility Interactive Inverters" Información acerca de la activación y la configuración de las funciones de apoyo de red según UL 1741 SA	Información técnica
"Short-Circuit Currents" Información sobre las corrientes de cortocircuito de inversores fotovoltaicos de SMA	Información técnica
"Parámetros y valores de medición" Vista general de todos los parámetros de funcionamiento del inversor y sus opciones de ajuste	Información técnica
"Interfaz de SMA y de SunSpec Modbus®" Información sobre la interfaz Modbus	Información técnica
"Parámetros y valores de medición de Modbus®" Registro HTML específico del equipo	Información técnica
"Integrated Plant Control and Q on Demand 24/7" Explicación detallada de las funciones y descripción de sus ajustes	Información técnica
"Derrateo por temperatura"	Información técnica

## 2 Seguridad

### 2.1 Uso previsto

El Sunny Tripower es un inversor fotovoltaico sin transformador con 6 seguidores del MPP que transforma la corriente continua del generador fotovoltaico en corriente alterna trifásica apta para la red y la inyecta a la red pública.

El producto es apropiado para utilizarse en exteriores e interiores.

El producto solo debe utilizarse con generadores fotovoltaicos (módulos fotovoltaicos y cableado) que estén autorizados según las normativas eléctricas vigentes en el lugar y el *National Electrical Code*® ANSI/NFPA 70 o el *Canadian Electrical Code*® CSA C22.1.

#### **i** Ninguna separación galvánica

El producto no dispone de transformador, por lo que no cuenta con separación galvánica.

- No utilice junto con el producto ningún módulo fotovoltaico conectado a tierra. Si se conectan al producto módulos fotovoltaicos conectados a tierra, se produce un evento. El evento se muestra con el aviso correspondiente en el listado de eventos de la interfaz de usuario del producto.
- Ponga a tierra solamente los bastidores de montaje de los módulos fotovoltaicos.
- El conductor neutro de la salida de CA en el producto está conectado a tierra de serie. Para la conexión de una red pública con conductor neutro se debe retirar el puente entre el conductor neutro de la salida de CA y la carcasa.

Los módulos fotovoltaicos con una gran capacidad a tierra solo deben utilizarse cuando su capacidad de acoplamiento no supere los 12,6  $\mu\text{F}$ .

Deben respetarse en todo momento el rango de funcionamiento admisible y los requisitos de instalación de todos los componentes.

El producto está autorizado para el mercado de EE. UU.

Utilice siempre el producto de acuerdo con las indicaciones de la documentación adjunta y observe las leyes, reglamentos, reglas y normas vigentes. Cualquier otro uso puede causarle lesiones al usuario o daños materiales.

Para realizar cualquier intervención en el producto, como modificaciones o remodelaciones, deberá contar con el permiso expreso y por escrito de SMA Solar Technology AG. Los cambios no autorizados conllevan la pérdida de los derechos de garantía, así como la extinción de la autorización de operación. Queda excluida la responsabilidad de SMA Solar Technology AG por los daños derivados de dichos cambios.

Cualquier uso del producto distinto al descrito en el uso previsto se considerará inadecuado.

La documentación adjunta es parte integrante del producto. La documentación debe leerse, observarse y guardarse en un lugar accesible en todo momento y seco.

Este documento no sustituye en ningún caso a cualquier legislación, reglamento o norma regional, federal, provincial o estatal aplicables a la instalación, la seguridad eléctrica y el uso del producto. SMA Solar Technology AG no asume responsabilidad alguna relativa al cumplimiento o al incumplimiento de la legislación o las disposiciones relacionadas con la instalación del producto.

La placa de características debe estar en el producto en todo momento.



## 2.2 Indicaciones importantes para la seguridad

Conservar instrucciones

Este capítulo contiene indicaciones de seguridad que deben observarse siempre en todos los trabajos que se realizan en el producto y con el producto.

Este producto se ha construido en cumplimiento de los requisitos internacionales relativos a la seguridad. A pesar de estar cuidadosamente contruidos, existe un riesgo residual como con todos los equipos eléctricos. Para evitar daños personales y materiales y garantizar el funcionamiento permanente del producto, lea detenidamente este capítulo y cumpla siempre las indicaciones de seguridad.

### PELIGRO

#### **Peligro de muerte por descarga eléctrica por contacto con conductores de CC con tensión**

Cuando recibe luz, los módulos fotovoltaicos producen una alta tensión de CC que se acopla a los conductores de CC. Tocar los cables de CC conductoras de tensión puede causar la muerte o lesiones mortales por descarga eléctrica.

- Antes de cualquier trabajo, desconecte el punto de conexión de la tensión y asegure el producto contra cualquier reconexión accidental.
- No toque piezas o cables conductores de tensión descubiertos.
- No desconecte el conector de enchufe de CC bajo carga.
- Utilice equipamientos de protección personal adecuado cuando realice trabajos en el producto.

### PELIGRO

#### **Peligro de muerte por descarga eléctrica al tocar un módulo fotovoltaico o bastidor del generador no conectado a tierra**

El contacto con un módulo fotovoltaico o con bastidor del generador no conectado a tierra puede causar la muerte o lesiones mortales por descarga eléctrica.

- Ponga a tierra con conexión conductora el marco de los módulos fotovoltaicos, el bastidor del generador y las superficies conductoras. Tenga en cuenta las normas locales vigentes.

**⚠ PELIGRO****Peligro de muerte por descarga eléctrica si se tocan partes de la planta bajo tensión en caso de fallo a tierra**

En caso de fallo a tierra los componentes de la planta pueden estar bajo tensión. El contacto con componentes conductores de tensión o cables puede causar la muerte o lesiones mortales por descarga eléctrica.

- Antes de cualquier trabajo, desconecte el punto de conexión de la tensión y asegure el producto contra cualquier reconexión accidental.
- Agarre los cables del generador fotovoltaico únicamente por el aislamiento.
- No toque las piezas de la base ni del bastidor del generador fotovoltaico.
- No conecte strings con un fallo a tierra al inversor.
- Desconecte de la tensión y espere 5 minutos antes de tocar los componentes de la planta fotovoltaica o del producto.

**⚠ PELIGRO****Peligro de muerte por descarga eléctrica en caso de sobretensión y si no hay protección contra sobretensión**

Si no hay una protección contra sobretensión, las sobretensiones (por ejemplo, en caso de que caiga un rayo) pueden transmitirse a través del cable de red o de otros cables de datos al edificio y a otros equipos conectados a la misma red. El contacto con componentes conductores de tensión o cables puede causar la muerte o lesiones mortales por descarga eléctrica.

- Asegúrese de que todos los equipos de la misma red estén integrados en la protección contra sobretensión existente.
- En caso de instalar los cables de red a la intemperie, en el paso de los cables de red del producto desde el exterior a la red en el edificio asegúrese de que haya una protección contra sobretensión adecuada.
- La interfaz ethernet del inversor está clasificada como "TNV-1" y protege contra sobretensiones de hasta 1,5 kV.

**⚠ ATENCIÓN****Peligro de quemaduras por contacto con las partes calientes de la carcasa**

La carcasa y la tapa de la carcasa se pueden calentar durante el funcionamiento. El interruptor-seccionador de potencia de CC no puede calentarse.

- No tocar las superficies calientes.
- Antes de tocar la carcasa o la tapa de la carcasa, espere a que el inversor se haya enfriado.

**⚠ ATENCIÓN****Peligro de incendio**

- Para reducir el riesgo de incendio, el equipo debe conectarse solamente a un circuito eléctrico con una protección de sobrecorriente del circuito colateral con máximo 100 A según el *National Electrical Code*® ANSI/NFPA 70 o el *Canadian Electrical Code*® CSA C22.1.

**PRECAUCIÓN****Daños en la junta de la carcasa en caso de congelación**

Si abre el producto en caso de congelación, puede dañarse la junta de la carcasa. Podría penetrar humedad y dañar el producto.

- Abra el producto únicamente si la temperatura ambiente no es inferior a -5 °C (23 °F).
- Si tiene que abrir el producto en condiciones de congelación, elimine antes de hacerlo cualquier posible formación de hielo en la junta de la carcasa (por ejemplo, derriéndolo con aire caliente). Al hacerlo, tenga en cuenta las normas de seguridad.

**PRECAUCIÓN****Daños en el producto provocados por arena, polvo y humedad**

Si penetra arena, polvo y humedad, el producto podría resultar dañado y sus funciones podrían verse limitadas.

- Abra el producto solamente si la humedad del aire se encuentra dentro de los valores límite y si el entorno está libre de arena y polvo.
- No abra el producto en caso de tormenta de arena o de precipitaciones.
- Cierre herméticamente todas las aberturas en la carcasa.
- Para fijar los conductos para cables al producto utilice solamente manguitos con certificación resistentes a la lluvia o humedad.

**PRECAUCIÓN****Daños por productos de limpieza**

Si utiliza productos de limpieza, puede dañar el producto y componentes del producto.

- Limpie el producto y todos los componentes del producto únicamente con un paño humedecido con agua limpia.

**PRECAUCIÓN****Daños en el inversor por descarga electrostática**

Si toca componentes electrónicos, puede dañar o destruir el inversor debido a una descarga electrostática.

- Póngase a tierra antes de tocar cualquier componente.

**PRECAUCIÓN****Daños irreparables en el equipo de medición a causa de la sobretensión**

- Use solo equipos de medición con un rango de tensión de entrada de CC de hasta 1000 V como mínimo.

**i Instalaciones eléctricas (válido para América del Norte)**

La instalación debe llevarse a cabo de conformidad con la legislación, las disposiciones, los reglamentos y las normas vigentes en el lugar (p.ej. *National Electrical Code*® ANSI/NFPA 70 o *Canadian Electrical Code*® CSA-C22.1.).

- Antes de realizar la conexión eléctrica del producto a la red pública, póngase en contacto con su operador de red en el lugar. La conexión eléctrica del producto puede realizarla únicamente personal especializado.
- Es necesario asegurarse de que los cables o conductores utilizados en la conexión eléctrica no estén dañados.

### 3 Contenido de la entrega

Compruebe que el contenido de la entrega esté completo y que no presente daños externos visibles. En caso de que no esté completo o presente daños, póngase en contacto con su distribuidor.

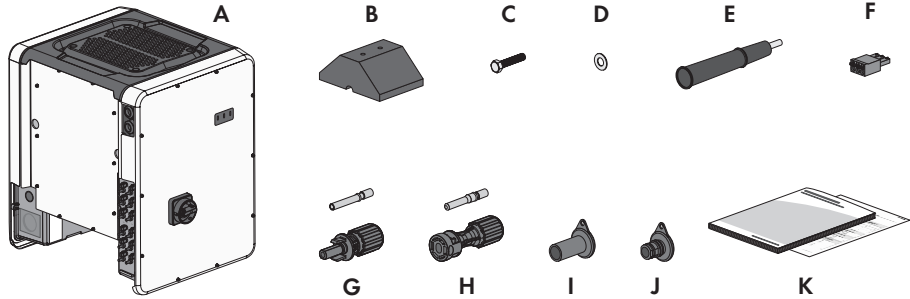


Imagen 1 : Componentes del contenido de la entrega

Posición	Cantidad	Denominación
A	1	Inversor
B	4	Pie
C	8	Tornillo hexagonal M8x40
D	8	Arandela
E	4	Asa
F	1	Caja de bornes de 3 polos para la conexión al relé multifunción
G	12	Conector de enchufe de CC negativo y casquillo de contacto conformado en frío*
H	12	Conector de enchufe de CC positivo y casquillo de contacto conformado en frío*
I	12	Sellador para conectores de enchufe de CC negativos
J	12	Sellador para conectores de enchufe de CC positivos
K	1	Instrucciones de instalación, "Informe de prueba de producción"

\* Tipo de conector de enchufe: UTX de Amphenol Industrial Solar Technologies

## 4 Vista general del producto

### 4.1 Descripción del producto

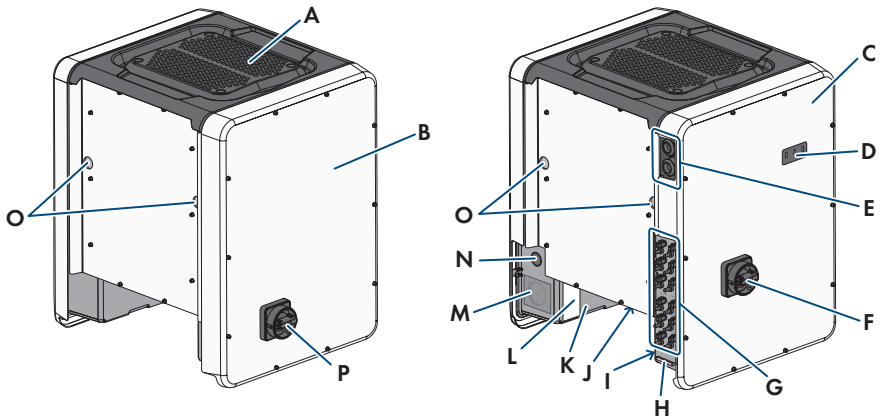











Imagen 2 : Diseño del producto

Posición	Denominación
A	Cubierta
B	Connection Unit de CA
C	Connection Unit de CC
D	Leds Los leds señalizan el estado de funcionamiento del inversor.
E	Racores atornillados para el cable de datos
F	Interruptor-seccionador de potencia de CC
G	Conectador de enchufe de CC
H	Barra de puesta a tierra del equipo para el conductor de puesta a tierra del equipo del generador fotovoltaico
I	Adhesivo de advertencia con información de cumplimiento
J	Soporte para ventilador con 3 ventiladores

Posición	Denominación
K	<p>Placa de características</p> <p>La placa de características identifica el producto de forma inequívoca. La placa de características debe permanecer colocada en el producto en todo momento. En la placa de características encontrará esta información:</p> <ul style="list-style-type: none"> <li>• Modelo (Model)</li> <li>• Número de serie (Serial No. o S/N)</li> <li>• Fecha de fabricación (Date of manufacture)</li> <li>• Datos específicos del equipo</li> </ul>
L	<p>Adhesivo adicional con datos para el registro en el Sunny Portal y la contraseña WLAN:</p> <ul style="list-style-type: none"> <li>• Código de identificación (PIC) para el registro en el Sunny Portal</li> <li>• Código de registro (RID) para el registro en el Sunny Portal</li> <li>• Contraseña WLAN (WPA2-PSK) para la conexión directa a la interfaz de usuario del inversor por WLAN</li> </ul>
M	Abertura en la carcasa para conexión de CA
N	Abertura en la carcasa para conductor adicional
O	Abertura en la carcasa para asas de transporte
P	Interruptor-seccionador de CA

## 4.2 Símbolos del producto

Símbolo	Explicación
	<p>Advertencia de tensión</p> <p>El producto funciona con tensiones altas.</p>
	<p>Advertencia de superficie caliente</p> <p>El producto puede calentarse durante el funcionamiento.</p>
	<p>Tenga en cuenta la documentación</p> <p>Tenga en cuenta toda la documentación suministrada con el producto.</p>
	<p>Tenga en cuenta la documentación</p> <p>Junto con el led rojo, este símbolo indica un error.</p>
	<p>Inversor</p> <p>Junto con el led verde, este símbolo indica el estado de funcionamiento del inversor.</p>

Símbolo	Explicación
	Transferencia de datos Junto con el led azul, este símbolo indica el estado de la conexión de red.
	Terminal de puesta a tierra del equipo Este símbolo señala el lugar para conectar un conductor de puesta a tierra del equipo.
	Toma a tierra Este símbolo señala el lugar para conectar un conductor de puesta a tierra del equipo adicional.
	UL 1741 y CSA C22.2 No. 107.1 son las normativas empleadas en un producto por Underwriters Laboratories para certificar que el producto cumple las normas del <i>National Electrical Code</i> ®, del <i>Canadian Electrical Code</i> ® y de IEEE 1547.

### 4.3 Interfaces y funciones

El inversor puede venir equipado con estas interfaces y funciones o se puede equipar más adelante:

#### Interfaz de usuario para la monitorización y configuración

El producto está equipado de serie con un servidor web integrado que permite configurar y monitorizar el producto a través de una interfaz de usuario propia. Para acceder a la interfaz de usuario del producto, puede utilizar el navegador de internet de un dispositivo terminal (como ordenador, tableta o teléfono inteligente).

#### SMA Speedwire

El producto está equipado de serie con SMA Speedwire. SMA Speedwire es un tipo de comunicación basado en el estándar ethernet SMA Speedwire está diseñado para una velocidad de transferencia de datos de 100 Mbit/s y permite una comunicación óptima entre equipos Speedwire de las plantas.

#### SMA Webconnect

El inversor está equipado de serie con una función Webconnect. La función Webconnect posibilita la transferencia directa de datos entre el inversor y el portal de internet Sunny Portal sin necesidad de utilizar un equipo de comunicación adicional y para 4 inversores por planta visualizada como máximo. En las plantas fotovoltaicas con más de 4 inversores se puede realizar la transferencia de datos entre los inversores y el portal de internet Sunny Portal a través de un registrador de datos (como SMA Data Manager) o distribuir los inversores en varias plantas en el Sunny Portal. Para acceder a su planta visualizada, puede utilizar directamente el navegador de internet de su dispositivo terminal.



## WLAN

El producto está equipado de serie con una interfaz WLAN, que viene activada de fábrica. Si no quiere utilizar una red WLAN, puede desactivar la interfaz.

Además, el producto cuenta con una función WPS, que sirve para conectarlo automáticamente a una red local (por ejemplo, un router) y para crear una conexión directa entre el producto y el equipo terminal.

### Ampliación del alcance inalámbrico en la red WLAN

Para ampliar el alcance inalámbrico del inversor en la red WLAN puede instalar en el inversor el kit de antena externa disponible como accesorio.

## Modbus

El producto está equipado con una interfaz Modbus, que viene desactivada de fábrica y que, en caso necesario, se deberá configurar.

La interfaz Modbus de los productos de SMA compatibles ha sido concebida para el uso industrial de, por ejemplo, sistemas SCADA, y tiene estas funciones:

- Consulta remota de los valores de medición
- Ajuste remoto de los parámetros de funcionamiento
- Especificación de valores de consigna para el control de la planta

## Ranuras del módulo

El inversor está equipado de serie con dos ranuras del módulo. Estas se encuentran en el subgrupo de comunicación y permiten conectar módulos adicionales (por ejemplo, módulos SMA Sensor Module). Los módulos están disponibles como accesorios. No se permite instalar dos módulos idénticos.

## SMA RS485 Module

Instalando el SMA RS485 Module, el inversor puede comunicarse por cable con productos de comunicación de SMA especiales (información sobre la instalación y la conexión en las instrucciones del SMA RS485 Module). El SMA RS485 Module puede instalarse con posterioridad.

## Antenna Extension Kit

El Antenna Extension Kit permite ampliar el alcance inalámbrico del inversor en la red WLAN (más información sobre su montaje y conexión en las instrucciones del Antenna Extension Kit). El Antenna Extension Kit puede adquirirse y montarse posteriormente.

## SMA Sensor Module

El SMA Sensor Module dispone de diferentes interfaces para la conexión de distintos sensores (p. ej. termistor, sensor de irradiación, anemómetro o contador de energía). El SMA Sensor Module convierte las señales de los sensores conectados y los transmite al inversor. El SMA Sensor Module puede adquirirse y montarse posteriormente.

## Gestión de red

El inversor ha sido comprobado según la UL 1741 SA (07/09/2016) para cumplir con los Source Requirements Documents (documentos de origen) de los estados disponibles en el momento del test. Para conectar el inversor a la red pública, no se necesitan dispositivos adicionales de monitorización de la red. Encontrará una descripción de las funciones probadas y el procedimiento para activar y ajustar las funciones en la información técnica "Grid Support Utility Interactive Inverters" en [www.SMA-Solar.com](http://www.SMA-Solar.com).

### PV Rapid Shutdown Equipment

El inversor está certificado como PV Rapid Shutdown Equipment (PVRSE) según UL 1741.

Todas las entradas de CC y salidas de CA de este producto cumplen con los requerimientos de PV Rapid Shutdown para cables de conexión vigilados externos al generador fotovoltaico.

Un PV Rapid Shutdown System (PVRSS) completo se compone del inversor fotovoltaico, los módulos conmutadores fotovoltaicos y un Rapid Shutdown Initiator.

**PRECAUCIÓN:** La función de Rapid Shutdown del inversor se activa desconectando el inversor de la tensión de la red de CA, p. ej., al abrir el seccionador principal de CA de la planta fotovoltaica. El seccionador de CA, que sirve como Rapid Shutdown Initiator, debe ser de fácil acceso y señalarse inequívocamente según el National Electrical Code®. El estado de Rapid Shutdown de la planta fotovoltaica se indica mediante la posición activada/desactivada del seccionador de CA (interruptor cerrado/abierto). La posición desactivada (interruptor abierto) indica que se ha iniciado un Rapid Shutdown.

En caso de haberse instalado módulos conmutadores fotovoltaicos compatibles con la señal de comunicación SunSpec para Rapid Shutdown Systems, el inversor puede enviar una señal "Permission to Operate" de conformidad con SunSpec a través de sus conductores de entrada de CC a los módulos conmutadores fotovoltaicos. Al activar un Rapid Shutdown, el inversor deja de enviar la señal de comunicación SunSpec. Cuando la señal de comunicación SunSpec no se recibe, los módulos conmutadores fotovoltaicos son los responsables de limitar la tensión en los conductores dentro del generador fotovoltaico según el National Electrical Code®. En caso de un Rapid Shutdown a través de una señal de comunicación SunSpec es importante que todos los módulos fotovoltaicos de un string estén siempre dotados de los módulos conmutadores fotovoltaicos conformes a SunSpec. Si no, el inversor no puede ponerse en funcionamiento de inyección. Para descargar los cables de conexión de CC de forma fiable, es necesario que la tensión en espera de los módulos conmutadores fotovoltaicos de un string sea < 30 V.

El Rapid Shutdown System también puede equiparse con módulos conmutadores fotovoltaicos, los cuales se activan mediante la caída de la corriente alterna u otros medios. No obstante, debe garantizarse que al activar un Rapid Shutdown mediante el iniciador no solo se desconecten los módulos fotovoltaicos, sino también el inversor de la tensión de red. Los módulos conmutadores fotovoltaicos deben desconectar los módulos fotovoltaicos del inversor en un plazo máximo de 15 segundos tras el inicio del Rapid Shutdown.

El inversor incluye las funciones de apoyo de red. Si se produce una caída de la corriente alterna, el inversor permanece conectado a la red pública por un tiempo definido (Ride Through) a la espera de que la red se reestablezca. Si la tensión de red no se recupera en el plazo definido, el inversor se desconecta de la red pública y se inicia un Rapid Shutdown.

Por defecto, la función de Rapid Shutdown está desactivada. La función de Rapid Shutdown únicamente debe activarse si hay módulos conmutadores fotovoltaicos autorizados instalados dentro de los módulos fotovoltaicos o entre los módulos fotovoltaicos y el inversor. La función de Rapid Shutdown puede activarse seleccionando el modo de funcionamiento apropiado para los módulos conmutadores fotovoltaicos en la interfaz de usuario durante o después de la puesta en marcha del inversor. Si se activa la función de Rapid Shutdown sin que haya módulos conmutadores fotovoltaicos instalados, el inversor no podrá descargar los conductores de entrada de CC de producirse un Rapid Shutdown, por lo que el inversor podría dañarse.

ADVERTENCIA - ESTE PV RAPID SHUTDOWN EQUIPMENT NO REALIZA TODAS LAS FUNCIONES DE UN PV RAPID SHUTDOWN SYSTEM COMPLETO. ESTE PV RAPID SHUTDOWN EQUIPMENT DEBE EQUIPARSE CON DISPOSITIVOS ADICIONALES PARA FORMAR UN PV RAPID SHUTDOWN SYSTEM COMPLETO QUE CUMPLA CON LOS REQUISITOS NEC (NFPA 70) EN LO RELATIVO A CABLES DE CONEXIÓN VIGILADOS EXTERNOS AL GENERADOR FOTOVOLTAICO. LOS EQUIPOS ADICIONALES QUE HAYAN PODIDO MONTARSE DENTRO O FUERA DE LA INSTALACIÓN FOTOVOLTAICA PUEDEN INFLUIR NEGATIVAMENTE EN EL FUNCIONAMIENTO DEL PV RAPID SHUTDOWN SYSTEM. EL INSTALADOR ES RESPONSABLE DE QUE LA INSTALACIÓN FOTOVOLTAICA INSTALADA CUMPLA CON LOS REQUISITOS FUNCIONALES DE RAPID SHUTDOWN. ESTOS EQUIPOS DEBEN INSTALARSE SEGÚN LO ESPECIFICADO EN LAS INSTRUCCIONES DE INSTALACIÓN DEL FABRICANTE.

### Relé multifunción

El inversor viene equipado de serie con un relé multifunción. El relé multifunción es una interfaz que puede configurarse para un modo de funcionamiento específico de la planta.

### Detección de fallos de string

La detección de fallos de string mide la corriente residual de cada entrada y calcula continuamente los valores medios para las respectivas entradas. Las corrientes residuales se comparan con los valores medios. Si una corriente residual supera o no alcanza la tolerancia ajustada para un valor medio, se notifica un evento. Para ello, las corrientes residuales ligeramente más altas se detectan con seguridad en varios intervalos de consulta y se diferencian de las variaciones habituales de la corriente del generador fotovoltaico. De manera predeterminada, la detección de fallos de string viene desactivada y es necesario activarla. Además, a través de la interfaz de usuario es posible ajustar la tolerancia y leer los valores medios.

### Descargador de sobretensión del tipo 2 y del tipo 1+2

El inversor está equipado en el lado de CA y de CC con ranuras para elementos de protección contra sobretensión del tipo 2 o del tipo 1+2. Los elementos de protección contra sobretensión limitan las sobretensiones peligrosas. Los elementos de protección contra sobretensión pueden adquirirse y montarse posteriormente.

## Sistema de detección e interrupción de arcos voltaicos (AFCI)

De acuerdo con el *National Electrical Code*<sup>®</sup>, el inversor cuenta con un sistema de detección e interrupción de arcos voltaicos de CC. El sistema de detección e interrupción de arcos voltaicos cuenta con certificación UL 1699B Ed. 1. La detección de un arco voltaico provoca que el inversor interrumpa el funcionamiento de inyección. Para iniciar de nuevo el funcionamiento de inyección, es necesario activarlo manualmente. Si las condiciones de instalación lo permiten, puede desactivar el sistema de detección e interrupción de arcos voltaicos.

## SMA Smart Connected

SMA Smart Connected es la monitorización gratuita del inversor a través de Sunny Portal. Mediante SMA Smart Connected el operador de la planta y el especialista reciben información de forma automática y proactiva sobre los eventos que se producen en el inversor.

La activación de SMA Smart Connected se realiza durante el registro en Sunny Portal. Para utilizar SMA Smart Connected es necesario que el inversor esté conectado de forma permanente con el Sunny Portal y que los datos del operador de la planta y del especialista se encuentren registrados en el Sunny Portal y estén actualizados.

## Sistema de montaje universal (UMS\_Kit-10)

El sistema de montaje universal permite montar el inversor en paredes o sirve como pedestal para un montaje elevado sobre el suelo. El sistema de montaje universal está disponible como accesorio.

## 4.4 Señales de los leds

Los leds señalizan el estado de funcionamiento del inversor.

Señal de LED	Explicación
El LED verde parpadea (2 s encendido y 2 s apagado)	Esperando las condiciones de inyección Todavía no se cumplen las condiciones para el funcionamiento de inyección. Cuando se cumplen estas condiciones, el inversor inicia el funcionamiento de inyección.
El led verde parpadea rápidamente	Actualización del procesador principal El procesador principal del inversor se actualiza.
El led verde está encendido	Funcionamiento de inyección El inversor inyecta con una potencia superior al 90 %.
El LED verde parpadea	Funcionamiento de inyección El inversor está equipado con una indicación de potencia dinámica a través del led verde. Según la potencia, el led verde parpadea rápida o lentamente. En caso necesario, puede desactivar la indicación de potencia dinámica a través del led verde.
El LED verde está apagado	El inversor no inyecta a la red pública.

Señal de LED	Explicación
El led rojo está encendido	<p>Se ha producido un evento</p> <p>Cuando se produce un evento, en la interfaz de usuario del inversor o en el producto de comunicación aparece además un aviso de evento concreto y el respectivo número de evento.</p>
El LED azul parpadea lento durante 1 minuto aprox.	<p>Estableciendo conexión de comunicación</p> <p>El inversor está estableciendo una conexión con una red local o una conexión ethernet directa con un terminal (por ejemplo, un ordenador, una tableta o un teléfono inteligente).</p>
El led azul parpadea rápido durante 2 minutos aprox.	<p>WPS activada</p> <p>La función WPS está activa.</p>
El led azul está encendido	<p>Comunicación activada</p> <p>Hay una conexión activa a una red local o una conexión ethernet directa a un terminal (por ejemplo, un ordenador, una tableta o un teléfono inteligente).</p>

## 5 Montaje

### 5.1 Requisitos para el montaje

Requisitos del lugar de montaje:

#### **⚠ ADVERTENCIA**

##### **Peligro de muerte por fuego o explosión**

A pesar de estar cuidadosamente contruidos, los equipos eléctricos pueden originar incendios.

- No instale el producto en áreas en las que se encuentren materiales fácilmente inflamables o gases combustibles.
- No instale el producto en áreas potencialmente explosivas.

- El lugar de montaje debe ser adecuado para el peso y las dimensiones del producto (consulte el capítulo 10 "Datos técnicos", página 128).
- El lugar de montaje puede estar expuesto a la irradiación solar directa. Sin embargo, es posible que el producto reduzca su potencia debido a las altas temperaturas para evitar un sobrecalentamiento.
- El lugar de montaje debe ser accesible de forma fácil y segura, sin necesidad de medios auxiliares adicionales como, p. ej., andamios o plataformas elevadoras. De lo contrario, las visitas de mantenimiento solo serán posibles de manera limitada.
- El interruptor-seccionador de potencia de CC del producto deber ser accesible en todo momento.
- Deben cumplirse las dimensiones climáticas (consulte el capítulo 10, página 128).

##### **Posiciones de montaje permitidas y no permitidas:**

- El producto debe instalarse siempre en una posición autorizada De esta manera se garantiza que no pueda entrar humedad en el producto.
- El producto debería instalarse de tal forma que las señales de los leds puedan leerse sin problemas.

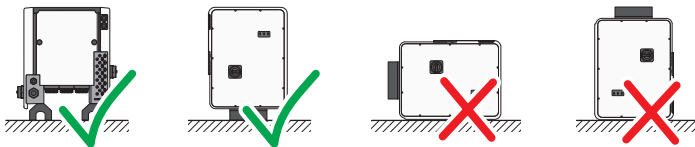


Imagen 3 : Posiciones de montaje permitidas y no permitidas

Dimensiones para el montaje:

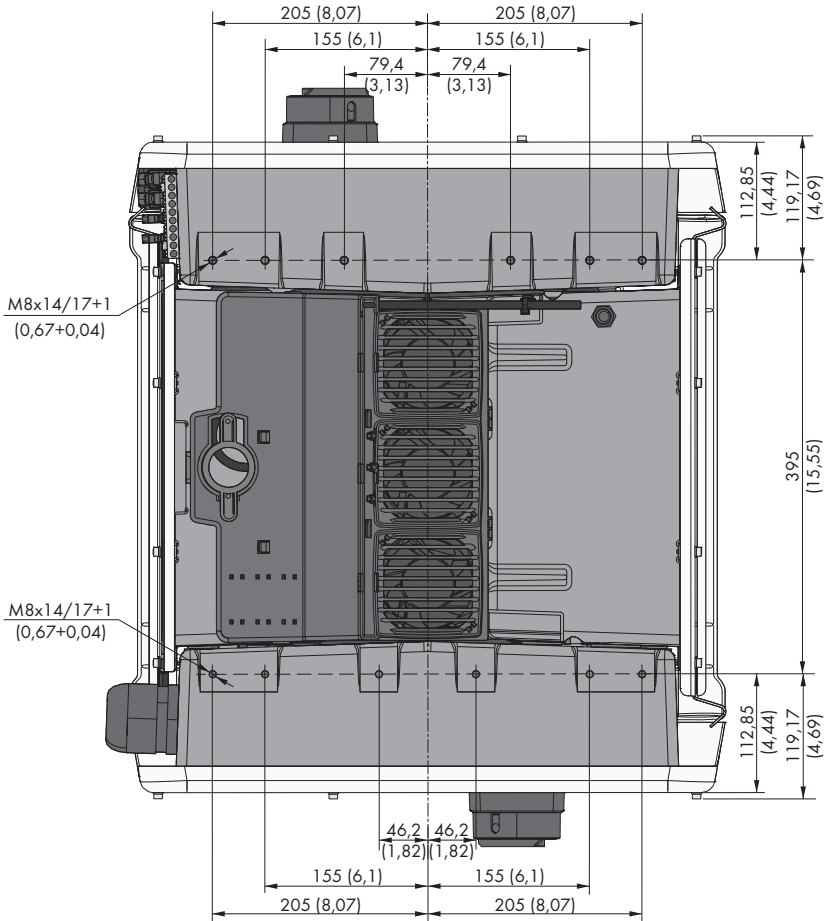


Imagen 4 : Posición de los puntos de fijación (Medidas en mm (in))

**Estabilidad:**

- Para garantizar la estabilidad, en caso de montaje con pies o con guía perfilada la anchura del pie o de la guía perfilada debe ser de 175 mm (7 in) como mínimo.
- El inversor debe fijarse cumpliendo las siguientes condiciones:
  - Inclinación de la superficie:  $>3^\circ$
  - Velocidad del viento (sin ráfagas de viento):  $>25$  m/s (82 ft/s)
  - Altura de los pies o de la guía perfilada:  $>100$  mm (4 in)
- En caso de montaje con guías perfiladas, siempre se requiere una fijación o una carga. En caso de montaje con guías perfiladas, SMA Solar Technology AG recomienda atornillar las guías perfiladas, por ejemplo, al perfil de los marcos de los módulos o colocar una chapa en las guías perfiladas, la cual puede cargarse con piedras o sacos de arena. De este modo se garantiza que el inversor queda firme.

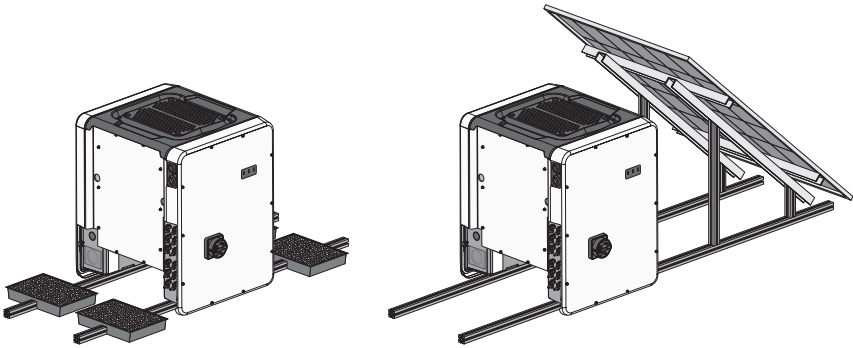


Imagen 5 : Fijación del inversor (ejemplos)

**Distancias recomendadas:**

Para garantizar que el inversor disipe el calor y funcione de manera óptima, respete las distancias mínimas. De este modo evitará que el inversor reduzca su potencia debido a temperaturas demasiado elevadas. No supone ningún peligro dejar distancias menores.



**i Distancias prescritas según el *National Electrical Code*® o el *Canadian Electrical Code*® CSA C22.1**

En determinadas circunstancias, el *National Electrical Code*® o el *Canadian Electrical Code*® CSA C22.1 pueden exigir unas distancias mayores.

- Asegúrese de que se cumplen las distancias especificadas en el *National Electrical Code*® o en el *Canadian Electrical Code*® CSA C22.1.
- Intente respetar las distancias recomendadas respecto a los bordes de techo, los tragaluces, las paredes, otros inversores u otros objetos. De este modo se asegura de que se puedan pulsar los interruptor-seccionadores en el inversor y puedan leerse las señales de los leds sin algún problema.
- Para posibles visitas de mantenimiento, SMA Solar Technology AG recomienda mantener en los 4 lados de la carcasa del inversor una distancia suficiente respecto a paredes, otros inversores u objetos. De lo contrario, las visitas de mantenimiento solo serán posibles de manera limitada.
- Si instala varios inversores en zonas con temperaturas ambiente elevadas, aumente la distancia entre los inversores y procure que entre suficiente aire fresco.

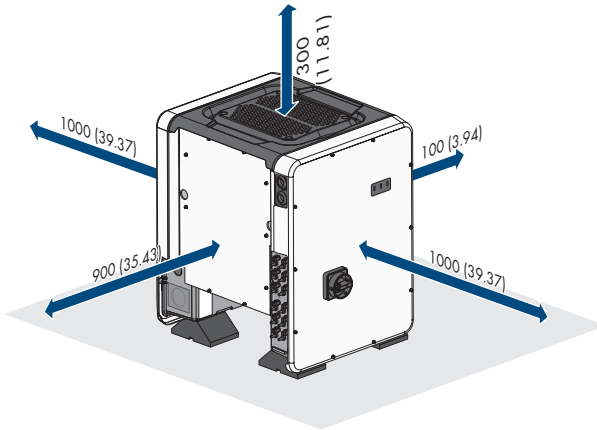


Imagen 6 : Distancias recomendadas (Medidas en mm (in))

## 5.2 Montaje del inversor

### ⚠ ATENCIÓN

#### Peligro de lesiones por el peso del inversor

Existe peligro de lesiones al levantar el inversor de forma inadecuada y en caso de caerse durante el transporte o el montaje.

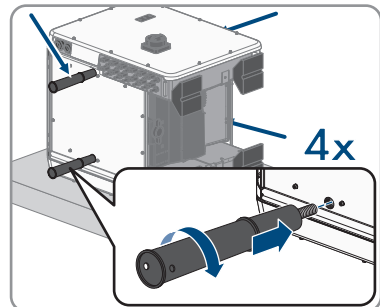
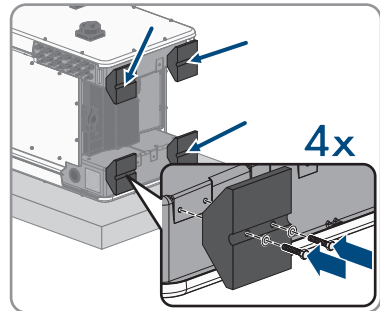
- Transporte y levante el inversor erguido y entre varias personas. Para ello, tenga en cuenta el peso del inversor y agarre el inversor de las asas de transporte. Al hacerlo, agarre siempre las dos asas de transporte de los lados.
- Transporte el producto con ayuda de asas de transporte o aparejo elevador. Tenga en cuenta el peso del producto.
- No utilice las asas de transporte para fijar el aparejo elevador (p.ej. cintas, cuerdas, cadenas). Para fijar el aparejo elevador se deben enroscar armellas en la rosca prevista en la parte superior del producto.
- Utilice siempre para el transporte con asas todas las asas de transporte suministradas.
- Tenga en cuenta dónde está el centro de gravedad del inversor. El centro de gravedad se encuentra en el lado de la Connection Unit CA.

#### Material adicional necesario (no incluido en el contenido de la entrega):

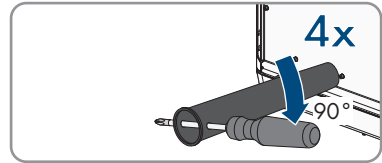
- Para el transporte con aparejo elevador: 4 armellas (M8)

#### Procedimiento:

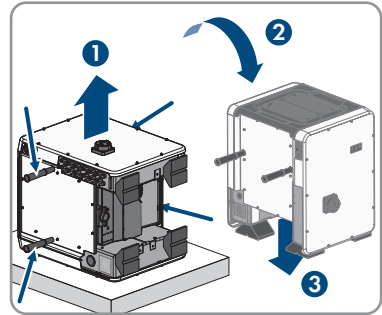
1. Monte cada pie con 2 tornillos hexagonales M8x40 y 2 arandelas a las dos cavidades roscadas exteriores (M8x14) ubicadas en la parte inferior del inversor (par de apriete: 16 Nm (142 in-lb)). Presione el embalaje en la parte inferior un poco hacia abajo o troceelo. Los orificios para los tornillos en la parte inferior del inversor deben estar libres.
2. Enrosque hasta el tope en los orificios roscados las asas de transporte en el lado derecho e izquierdo hasta que queden a nivel con la carcasa. Asegúrese de que las asas de transporte no se enrosquen dobladas en los orificios roscados. Si se enroscan dobladas las asas de transporte es posible que luego resulte difícil o imposible desenroscarlas y los orificios roscados pueden resultar dañados para utilizarlos en un nuevo montaje de las asas de transporte.



3. Inserte un destornillador en los orificios de las asas de transporte y gírelo 90 grados. De este modo se asegura de que las asas de transporte están bien apretadas.



4. Retire el inversor del europalet y colóquelo en el lugar de montaje.



5. Si se tiene previsto colocar el inversor en el lugar de montaje con ayuda de un aparejo elevador, enroscar las armellas en las roscas de la parte superior del inversor y fijar el aparejo elevador en ellas. El aparejo elevador debe ser adecuada para el peso del inversor.
6. Asegúrese de que el inversor esté bien fijo.
7. Desenrosque las 4 asas de transporte de las cavidades roscadas. Para ello, en caso necesario, introduzca un destornillador en los agujeros de las asas de transporte y aflójelas con ayuda del mismo.

## 6 Conexión eléctrica

### 6.1 Vista general del área de conexión

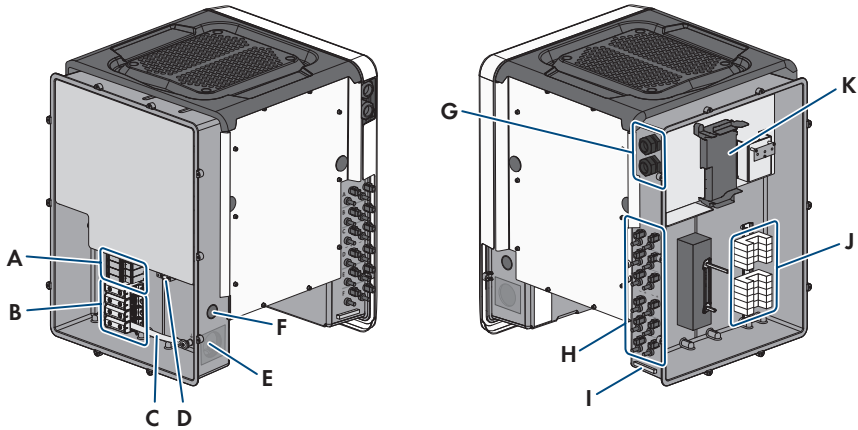


Imagen 7 : Áreas de conexión de la Connection Unit de CA y la Connection Unit de CC del inversor

Posición	Denominación
A	Ranuras para elementos de protección contra sobretensión para CA
B	Cajas de bornes para la conexión de CA
C	Puente entre N y carcasa
D	Terminal de puesta a tierra del equipo para el conductor de puesta a tierra del equipo de la red pública
E	Abertura en la carcasa para la conexión de CA (para conductos de cable del tamaño comercial de 50,8 mm (2 in))
F	Abertura en la carcasa para la conexión de un conductor adicional (para conductos de cables del tamaño comercial de 27 mm (1 in))
G	Racores atornillados para cables para el cable de red y, en caso necesario, para el cable de conexión del Antenna Extension Kit o para otros cables de datos
H	Conector de enchufe positivo y negativo para la conexión de CC
I	Terminal de puesta a tierra del equipo para el conductor de puesta a tierra del equipo del generador fotovoltaico
J	Ranuras para elementos de protección contra sobretensión para CC
K	Subgrupo de comunicación

## 6.2 Conexión de CA

### 6.2.1 Requisitos para la conexión de CA

#### Material adicional necesario (no incluido en el contenido de la entrega):

- Conductor para cables (tamaño comercial: 50,8 mm [2 in] o menos con reductores adecuados)
- Manguito resistente a la lluvia o humedad (tamaño comercial: 50,8 mm [2 in] o menos con reductores adecuados)

#### Requisitos de los conductores de CA:

- Debe respetarse la temperatura máxima admisible de la caja de bornes para la conexión de CA de +90 °C (+194 °F).
- Los conductores deben estar dimensionados conforme a la normativa local vigente y al código *National Electrical Code*® ANSI/NFPA 70 o según el *Canadian Electrical Code*® CSA C22.1 y teniendo en cuenta la corriente admisible, las temperaturas asignadas, las condiciones de utilización y las pérdidas.
- Los cables deben ser de cable macizo, cordón o cordón fino. Si se usan cordones finos deben utilizarse virolas.
- Sección del conductor: 25 mm<sup>2</sup> a 95 mm<sup>2</sup> (4 AWG a 4/0 AWG)
- Tipo de conductor: aluminio y alambre de cobre
- Temperatura máxima admisible: +90 °C (+194 °F)

### Vista general de la longitud necesaria para los conductores dentro de la Connection Unit de CA

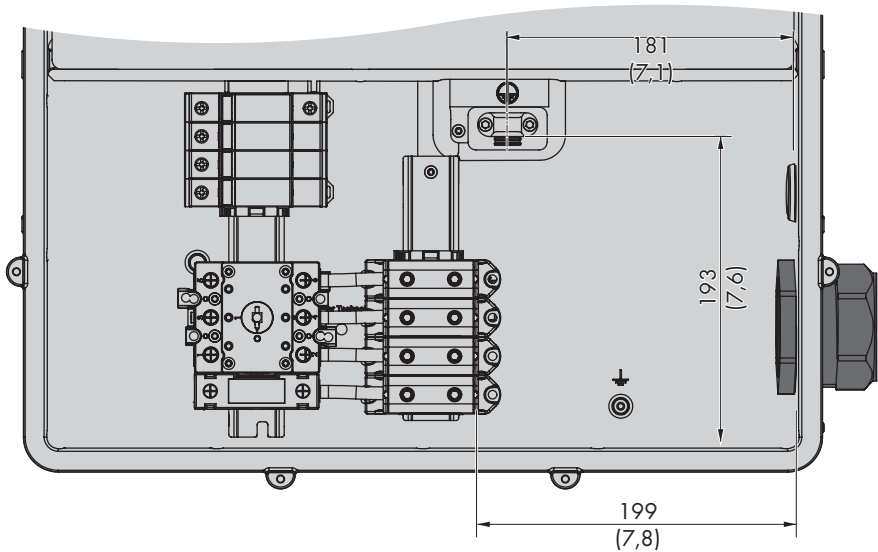


Imagen 8 : Vista interior de la unidad de conexión de CA con medidas para el conductor (medidas en mm (in))

#### Interruptor-seccionador y disyuntor:

- En plantas con varios inversores, cada inversor debe protegerse con un dispositivo de protección contra sobrecorriente propio. Para ello, tenga en cuenta cuál es la protección máxima admisible (consulte el capítulo 10 "Datos técnicos", página 128). Así evitará que quede tensión residual en el conductor afectado tras una desconexión.
- El interruptor-seccionador o disyuntor debe aparecer en el listado (consulte el *National Electrical Code*® ANSI/NFPA 70 o el *Canadian Electrical Code*® CSA C22.1).
- Los equipos consumidores instalados entre el inversor y el dispositivo de protección contra sobrecorriente deben protegerse por separado.
- El dispositivo de protección contra sobrecorriente para el circuito eléctrico de CA debe obtenerse de otro proveedor.
- El inversor cuenta con un interruptor CA conforme a la norma UL 508 que se puede utilizar como interruptor de servicio.

#### Sistema de distribución compatible:

- El inversor está habilitado para la conexión a una red pública con una conexión en estrella de 277/480 V.

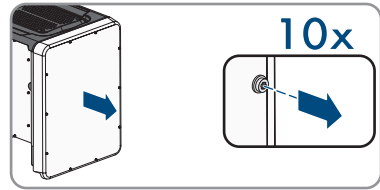
## 6.2.2 Conexión del inversor a la red pública

### Requisitos:

- Todas las instalaciones eléctricas deben realizarse conforme a la normativa local vigente y al código *National Electrical Code*® ANSI/NFPA 70 o al *Canadian Electrical Code*® CSA C22.1.
- Los circuitos eléctricos de CA y CC están aislados de la carcasa. Según el *National Electrical Code*® ANSI/NFPA 70 o el *Canadian Electrical Code*® CSA C22.1, el instalador es responsable de la toma a tierra de la planta.
- Deben cumplirse las condiciones de conexión del operador de red.
- La tensión de red debe encontrarse dentro del rango permitido. El rango de trabajo exacto del inversor está especificado en los parámetros de funcionamiento.

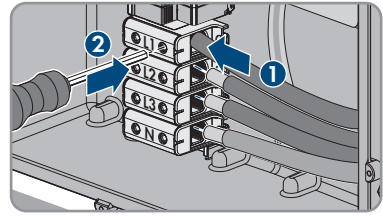
### Procedimiento:

1. Desconecte el disyuntor de los tres conductores de fase y asegúrelo contra cualquier reconexión accidental.
2. Es necesario asegurarse de que el interruptor-seccionador de potencia de CA y el interruptor-seccionador de potencia de CC estén en la posición **O** y asegurados contra reconexión.
3. Si está montada la tapa de la carcasa de la Connection Unit CA, soltar los 10 tornillos de la tapa de la carcasa (TX25) y retirar la tapa de la carcasa hacia delante.



4. Retirar la cinta adhesiva de la abertura en la carcasa para la conexión de CA.
5. Introduzca el manguito en la abertura y colóquelo desde el interior con la contratuerca.
6. Fije el conducto para cables al manguito.
7. Introduzca los conductores en la unidad de conexión de CA a través del conducto para cables.
8. Conecte el conductor de puesta a tierra del equipo de la red pública al terminal de puesta a tierra del equipo:
  - Pele 27 mm (1,06 in) del conductor de puesta a tierra del equipo.
  - Aflojar parcialmente uno de los dos tornillos con los que la brida y la placa de conexión están fijadas al terminal de puesta a tierra del equipo y sacar completamente el otro tornillo (TX25).
  - Colocar el conductor de puesta a tierra del equipo sobre la placa de conexión, colocar la brida sobre el conductor de puesta a tierra del equipo y apretar ambos tornillos (TX25, par de apriete: 6 Nm (53 in-lb)).
  - Asegúrese de que el conductor descansa sobre la placa de conexión.
9. Pele 27 mm (1,06 in) de los conductores L1, L2, L3 y, en caso necesario, N.
10. En los cordones finos, remate los conductores L1, L2, L3 y, en caso necesario, N con una virola.

11. Según el sistema de distribución, conecte los conductores L1, L2, L3 y, en caso necesario N, a los bornes conforme se indica en la leyenda. Para ello, llevar cada conductor hasta el tope del borne correspondiente y apretar el tornillo del borne (TX 30, longitud: 50 mm (2 in), par de apriete: 14 Nm (126 in-lb)).



12.

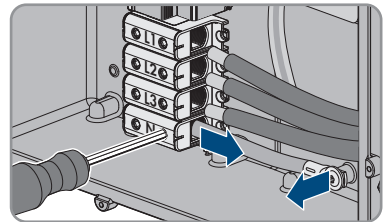
### ⚠ ADVERTENCIA

#### **Peligro de muerte por descarga eléctrica causada por la existencia de un puente entre conductor neutro y la carcasa al conectar una red pública con el conductor neutro**

El inversor se suministra de serie con un puente entre N y la carcasa. El puente es absolutamente necesario para la conexión de una red pública sin conductor neutro.

- Para la conexión de una red pública con conductor neutro se debe en todo caso retirar el puente según se describe en el siguiente paso.

13. Si N está presente y conectada al borne correspondiente, retire el puente instalado de serie entre N y la carcasa (⚡). Desenrosque para ello el tornillo del borne **N** y el tornillo del punto de toma a tierra (⚡) con un destornillador Torx (TX 30 de longitud: 50 mm (2 in)) y retire el puente del inversor.



14. Asegúrese de que todos los bornes estén conectados con el conductor correcto.  
15. Asegúrese de que todos los conductores estén fijos.



## 6.3 Conexión del cable de red

### ⚠ PELIGRO

#### **Peligro de muerte por descarga eléctrica en caso de sobretensión y si no hay protección contra sobretensión**

Si no hay una protección contra sobretensión, las sobretensiones (por ejemplo, en caso de que caiga un rayo) pueden transmitirse a través del cable de red o de otros cables de datos al edificio y a otros equipos conectados a la misma red. El contacto con componentes conductores de tensión o cables puede causar la muerte o lesiones mortales por descarga eléctrica.

- Asegúrese de que todos los equipos de la misma red estén integrados en la protección contra sobretensión existente.
- En caso de instalar los cables de red a la intemperie, en el paso de los cables de red del producto desde el exterior a la red en el edificio asegúrese de que haya una protección contra sobretensión adecuada.
- La interfaz ethernet del inversor está clasificada como "TNV-1" y protege contra sobretensiones de hasta 1,5 kV.

#### **Material adicional necesario (no incluido en el contenido de la entrega):**

- Cable de red
- En caso necesario: conector de enchufe RJ45 ajustable in situ

#### **Material adicional necesario para la utilización de conductos para cables (no incluido en el contenido de la entrega):**

- Conducto para cables (tamaño comercial: 27 mm [1 in] o menos con reductores adecuados)
- Manguitos con certificación UL 514B resistentes a la lluvia o humedad (tamaño comercial: 27 mm (1 in) o menor con los reductores adecuados)

#### **Requisitos del cableado:**

Tanto la longitud como la calidad del cable influyen en la calidad de la señal. Tenga en cuenta estos requisitos del cableado.

- Tipo de cable: 100BaseTx
- Categoría del cable: Cat5, Cat5e o mayor
- Tipo de conector: RJ45 de Cat5, Cat5e o mayor
- Apantallamiento: SF/UTP, S/UTP, SF/FTP o S/FTP
- Número de pares de conductores y sección del conductor: mínimo 2 x 2 x 0,22 mm<sup>2</sup> (2 x 2 x 24 AWG)
- Longitud máxima del cable entre dos integrantes de la red con latiguello: 50 m (164 ft)
- Longitud máxima del cable entre dos integrantes de la red con cable de instalación: 100 m (328 ft)
- Resistente a los rayos UV para aplicaciones exteriores

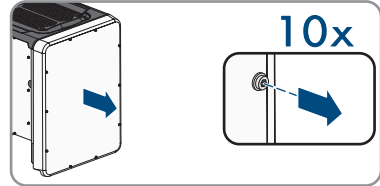
**Procedimiento:**

1.

**⚠ PELIGRO****Peligro de muerte por descarga eléctrica**

- Desconecte el inversor de la tensión (consulte el capítulo 8, página 122).

2. Si la tapa de la carcasa de la Connection Unit de CC está cerrada, desmóntela. Suelte los diez tornillos y retire la tapa de la carcasa tirando de ella hacia adelante (TX 25).



3. Aparte y guarde en un lugar seguro la tapa de la carcasa y los tornillos.

4. Si se utilizan conductos para cables, realice los siguientes pasos:

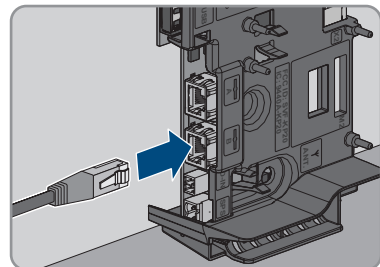
- Retire los racores atornillados para cables M32 de la abertura de la carcasa. Para ello, desenrosque la contratuerca ubicada en el interior y extraiga el racor atornillado para cables de la abertura en la carcasa.
- Introduzca el manguito en la abertura y colóquelo desde el interior con la contratuerca.
- Fije el conducto para cables al manguito.
- Introduzca un extremo del cable de red en el inversor a través del conducto para cables.

5. Al utilizar los racores atornillados para cables, realice los siguientes pasos:

- Desenrosque la tuerca de unión del racor atornillado para cables para cable de datos.
- Pase la tuerca de unión a través del cable de red.
- Retire el manguito protector de dos orificios del racor atornillado para cables.
- Saque el sellador de una abertura de la carcasa del manguito protector de dos orificios e inserte el cable de red.
- Presione el manguito protector de dos orificios con el cable para introducirlo en el racor atornillado para cables e introduzca el cable de red para el subgrupo de comunicación en la Connection Unit de CC. Al hacerlo, asegúrese de que la boquilla de paso libre del manguito protector de dos orificios esté cerrada con un sellador.

6. Si utiliza un cable de red que puede confeccionar el propio usuario, prepare el conector de enchufe RJ45 y conéctelo al cable de red (consulte la documentación del conector de enchufe).

7. Inserte el conector RJ45 del cable en uno de los conectores de red hembra del subgrupo de comunicación.



8. Asegúrese de que el conector de red RJ45 esté fijo tirando ligeramente del cable.
9. Al utilizar los racores atornillados para cables, apriete a mano la tuerca de unión de todos aquellos que sean utilizados. Con ello se fija el cable de red.
10. Si el inversor está montado a la intemperie, instale una protección contra sobretensión para todos los componentes de la red.
11. Conecte el otro extremo del cable de red a la red local (por ejemplo, a través de un rúter).

## 6.4 Conexión del relé multifunción

### 6.4.1 Procedimiento para la conexión del relé multifunción

Procedimiento	Consulte
1. Seleccione el modo de funcionamiento del relé multifunción.	Capítulo 6.4.2, página 99
2. Conecte el relé multifunción de acuerdo con el modo de funcionamiento y su variante de conexión.	Capítulo 6.4.3, página 100 y Capítulo 6.4.4, página 103
3. Después de la puesta en marcha del inversor, modifique el modo de funcionamiento del relé multifunción en caso necesario.	Instrucciones de uso en <a href="http://www.SMA-Solar.com">www.SMA-Solar.com</a>

### 6.4.2 Modos de funcionamiento del relé multifunción

Tipo de funcionamiento del relé multifunción (Mlt.OpMode)	Descripción
<b>Aviso de fallo (FltInd)</b>	El relé multifunción controla un dispositivo de aviso (por ejemplo, luces de advertencia) que, en función del tipo de conexión, indica si hay algún error o si el inversor funciona correctamente.
<b>Consumo característico (SelfCsmP)</b>	El relé multifunción conecta y desconecta los equipos consumidores en función de la potencia ofrecida por la planta.
<b>Control mediante comunicación (ComCtl)</b>	El relé multifunción conecta y desconecta los equipos consumidores tras una orden emitida a través de un producto de comunicación.
<b>Banco de baterías (Bat-Cha)</b>	El relé multifunción controla la carga de baterías en función de la potencia ofrecida por la planta.
<b>Control de ventilador (FanCtl)</b>	El relé multifunción controla un ventilador externo en función de la temperatura del inversor.
<b>Estado conmutación relé de red (GriSwCpy)</b>	El operador de red local puede requerir que se le envíe una señal en cuanto el inversor se conecte a la red pública. El relé multifunción puede utilizarse para enviar esta señal.

### 6.4.3 Variantes de conexión

Según el modo de funcionamiento que escoja, deberá proceder de diferente manera para realizar la conexión.

Modo de funcionamiento	Variante de conexión
<b>Aviso de fallo (FltInd)</b>	Uso del relé multifunción como contacto de aviso de fallos
<b>Consumo característico (SelfCsmP)</b>	Control de equipos consumidores mediante el relé multifunción o carga de baterías en función de la potencia
<b>Control mediante comunicación (ComCtl)</b>	Control de equipos consumidores mediante el relé multifunción o carga de baterías en función de la potencia
<b>Banco de baterías (Bat-Cha)</b>	Control de equipos consumidores mediante el relé multifunción o carga de baterías en función de la potencia
<b>Control de ventilador (FanCtl)</b>	Conexión de un ventilador externo (consulte la documentación del ventilador)
<b>Estado conmutación relé de red (GriSwCpy)</b>	Notificación del estado de conmutación del relé de red

### Uso del relé multifunción como contacto de aviso de fallos

Puede utilizar el relé multifunción como contacto de aviso de fallos para indicar o notificar si hay algún error o si el inversor funciona correctamente a través de un dispositivo de aviso adecuado. En caso necesario, puede conectar varios inversores a un indicador de fallos o un detector de funcionamiento.

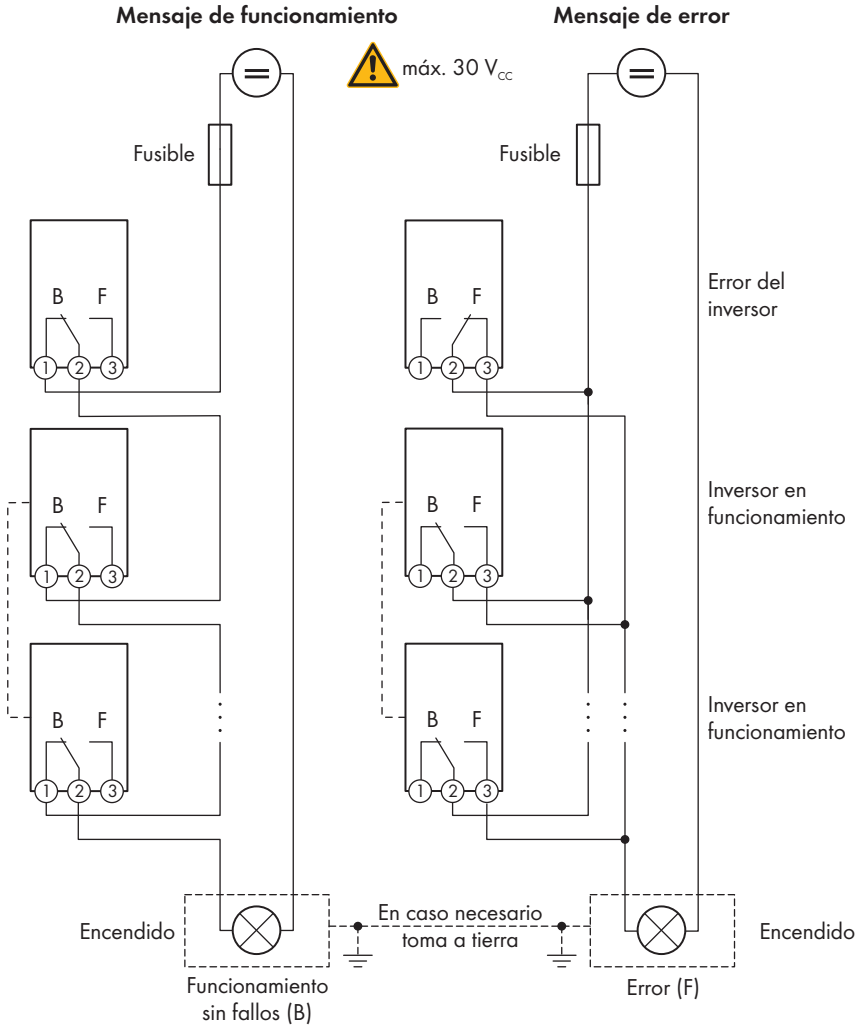


Imagen 9 : Esquema de conexión con varios inversores para la conexión de un detector de funcionamiento y de un detector de fallos (ejemplo)

## Control de equipos consumidores mediante el relé multifunción o carga de baterías en función de la potencia

El relé multifunción puede controlar equipos consumidores o cargar baterías en función de la potencia. Para ello debe conectar al relé multifunción un contactor (K1), que sirve para activar y desactivar la corriente de servicio del equipo consumidor. Si desea cargar baterías en función de la potencia disponible, el contactor sirve para activar y desactivar la carga de las baterías.

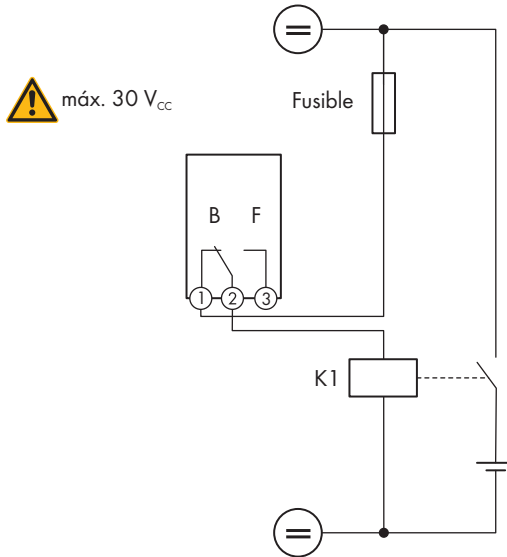


Imagen 10 : Esquema de conexión para controlar un equipo consumidor o para cargar las baterías en función de la potencia

## Notificación del estado de conmutación del relé de red

El relé multifunción puede enviar una señal al operador de red en cuanto el inversor se conecta a la red pública. Para ello debe conectar en paralelo los relés multifunción de todos los inversores.

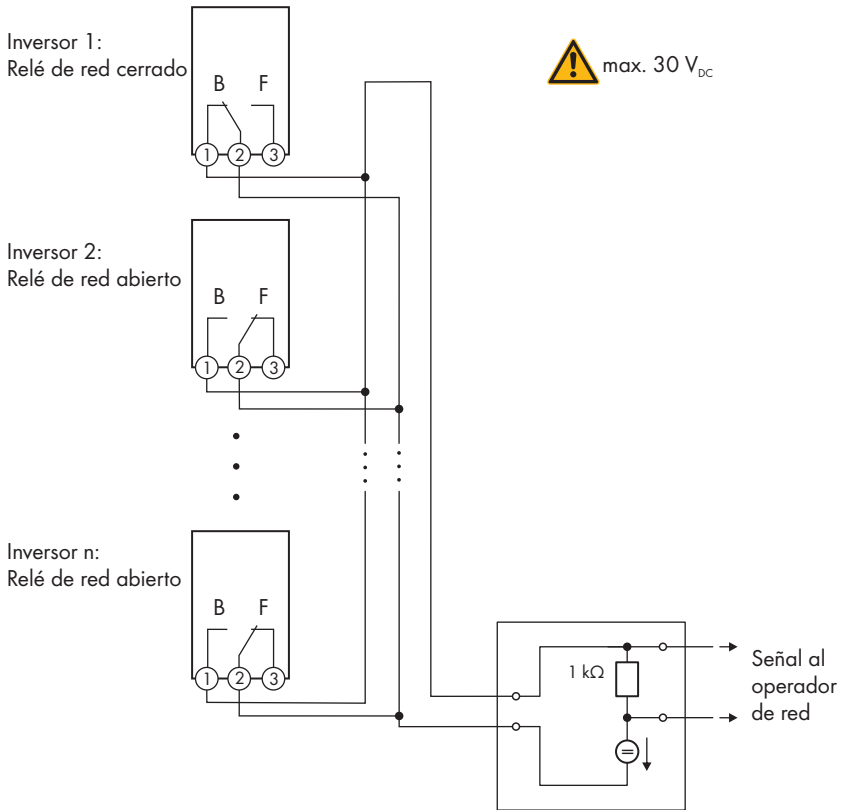


Imagen 11 : Esquema de conexión para notificar el estado de conmutación del relé de red (ejemplo)

### 6.4.4 Conexión al relé multifunción

**Material adicional necesario para la utilización de conductos para cables (no incluido en el contenido de la entrega):**

- Conducto para cables (tamaño comercial: 27 mm [1 in] o menos con reductores adecuados)
- Manguitos con certificación UL 514B resistentes a la lluvia o humedad (tamaño comercial: 27 mm [1 in] o menor con los reductores adecuados)

**Requisitos:**

- Deben cumplirse los requisitos técnicos del relé multifunción (consulte el capítulo 10 "Datos técnicos", página 128).
- Todas las instalaciones eléctricas deben realizarse conforme a la normativa local vigente y al código *National Electrical Code*® ANSI/NFPA 70 o al *Canadian Electrical Code*® CSA C22.1.

**Requisitos de los conductores:**

- Sección del conductor: 0,2 mm<sup>2</sup> a 1,5 mm<sup>2</sup> (24 AWG a 16 AWG)
- El tipo de conductor y el cableado deben ser apropiados para el uso y el lugar de utilización.

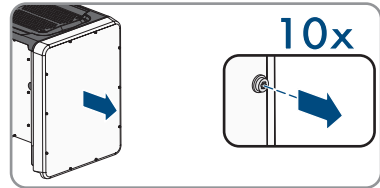
**Procedimiento:**

1.

**⚠ PELIGRO****Peligro de muerte por altas tensiones**

- Desconecte el inversor de la tensión (consulte el capítulo 8, página 122).

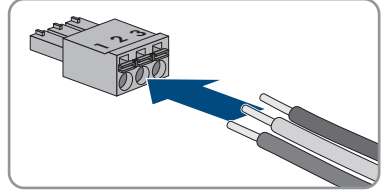
2. Si la tapa de la carcasa de la Connection Unit de CC está cerrada, desmóntela. Suelte los diez tornillos y retire la tapa de la carcasa tirando de ella hacia adelante (TX 25).



3. Aparte y guarde en un lugar seguro la tapa de la carcasa y los tornillos.
4. Si se utilizan conductos para cables, realice los siguientes pasos:
- Retire los racores atornillados para cables M32 de la abertura de la carcasa. Para ello, desenrosque la contratuerca ubicada en el interior y extraiga el racor atornillado para cables de la abertura en la carcasa.
  - Introduzca el manguito en la abertura y colóquelo desde el interior con la contratuerca.
  - Fije el conducto para cables al manguito.
  - Introduzca los conductores en el inversor a través del conducto para cables.
5. Al utilizar los racores atornillados para cables, realice los siguientes pasos:
- Desenrosque la tuerca de unión del racor atornillado para cables para cable de datos.
  - Pase la tuerca de unión a través del cable de red.
  - Retire el manguito protector de dos orificios del racor atornillado para cables.
  - Saque el sellador de una abertura de la carcasa del manguito protector de dos orificios e inserte el conductor.
  - Presione el manguito protector de dos orificios junto con el conductor en el racor atornillado para cables e introduzca el conductor al módulo de comunicación en la unidad de conexión de CC. Al hacerlo, asegúrese de que la boquilla de paso libre del manguito protector de dos orificios esté cerrada con un sellador.
6. Pele los conductores 9 mm (0,35 in) como máximo.



7. Conecte los conductores a la caja de bornes de 3 polos conforme al esquema de conexión según el modo de funcionamiento (consulte el capítulo 6.4.3, página 100). Asegúrese de que los conductores estén completamente introducidos en los puntos de embornaje (aberturas redondas), hasta el aislamiento.



8. Inserte la caja de bornes de 3 polos con el conductor conectado en la ranura **MFR** en el módulo de comunicación del inversor.
9. Asegúrese de que la caja de bornes esté bien fija.
10. Asegúrese de que todos los conductores estén conectados correctamente.
11. Al utilizar los racores atornillados para cables, apriete a mano la tuerca de unión de todos aquellos que sean utilizados. Con ello se fijan los conductores.
12. Asegúrese de que los conductores estén bien fijos en los puntos de embornaje. Consejo: Para soltar los conductores de la caja de bornes, abra los puntos de embornaje con una herramienta adecuada.

## 6.5 Conexión de CC

### 6.5.1 Requisitos para la conexión de CC

#### Requisitos de los módulos fotovoltaicos por entrada:

- Todos los módulos fotovoltaicos deben ser del mismo tipo.
- Todos los módulos fotovoltaicos deben tener la misma orientación e inclinación.
- No deben sobrepasarse las tensiones máximas admisibles del sistema del inversor (consulte el capítulo 10 "Datos técnicos", página 128).
- No debe sobrepasarse la corriente de cortocircuito máxima (consulte el capítulo 10 "Datos técnicos", página 128).
- Los cables de conexión positivos de los módulos fotovoltaicos deben estar equipados con conectadores de enchufe de CC positivos (consulte el capítulo 6.5.2, página 106).
- Los cables de conexión negativos de los módulos fotovoltaicos deben estar equipados con conectadores de enchufe de CC negativos (consulte el capítulo 6.5.2, página 106).

**Material adicional necesario (no incluido en el contenido de la entrega):****Requisitos de los conductores de CC:**

- Los conductores deben estar dimensionados conforme a la normativa local vigente y al código *National Electrical Code*® ANSI/NFPA 70 o según el *Canadian Electrical Code*® CSA C22.1 y teniendo en cuenta la corriente admisible, las temperaturas asignadas, las condiciones de utilización y las pérdidas.
- Temperatura máxima admisible: +90 °C (+194 °F)
- Tipo de conductor: alambre de cobre
- Los cables deben ser de cable macizo, cordón o cordón fino.
- Diámetro exterior: 5,3 mm a 7,65 mm (0,21 in a 0,30 in)
- Sección del conductor: 4 mm<sup>2</sup> a 6 mm<sup>2</sup> (12 AWG a 10 AWG)

**Requisitos del conductor de puesta a tierra del equipo del generador fotovoltaico:**

- Los cables deben ser de cable macizo, cordón o cordón fino.
- Tipo de conductor: aluminio y alambre de cobre
- Sección del conductor: 2,5 mm<sup>2</sup> a 25 mm<sup>2</sup> (14 AWG a 4 AWG)

**6.5.2 Preparación de los conectadores de enchufe de CC**

Para la conexión al inversor, todos los cables de conexión de los módulos fotovoltaicos deben estar equipados con los conectadores de enchufe de CC suministrados. Prepare los conectadores de enchufe de CC como se describe a continuación (ver las instrucciones del fabricante para más información sobre la preparación de los conectadores de enchufe). Asegúrese de que la polaridad sea la correcta.

**Material adicional necesario (no incluido en el contenido de la entrega):**

- Herramienta pelacables
- Tenazas adecuadas para prensar los casquillos de contacto conformados en frío (tener en cuenta la información del fabricante).
- Herramienta para apretar la tuerca de unión (tener en cuenta la información del fabricante).
- En caso necesario, una herramienta para comprobar si los conductores con los casquillos de contacto están lo suficientemente insertados en el conector de enchufe de CC (tener en cuenta la información del fabricante).

**Procedimiento:**

1. Pele 7 mm ± 0,5 mm (0,28 in ± 0,02 in) de los conductores.
2. Introduzca el conductor pelado en el casquillo de contacto y presione con unas tenazas para prensar adecuadas para el casquillo de contacto.
3. Introduzca el conductor con el casquillo de contacto en el conector de enchufe hasta que el casquillo encaje de manera audible en el conector de enchufe de CC.

4. Asegúrese de que el conductor con el casquillo de contacto ha encajado a suficiente profundidad en el conector de enchufe de CC.
5. Apretar la tuerca de unión del conector de enchufe de CC (par de apriete: 3,5 Nm a 4 Nm (31 in-lb a 35 in-lb)).

### 6.5.3 Conexión del generador fotovoltaico

#### PRECAUCIÓN

##### **Daños en el inversor debido a un fallo a tierra por el lado de la CC durante el funcionamiento**

Debido a la topología sin transformador del producto, si se dan fallos a tierra por el lado de la CC durante en funcionamiento, pueden producirse daños irreparables. Los daños producidos en el producto por una instalación de CC errónea o dañada no están cubiertos por la garantía. El producto está equipado con un dispositivo de protección que comprueba únicamente durante el proceso de arranque si existe un fallo a tierra. Durante el funcionamiento, el producto no está protegido.

- Asegúrese de que la instalación de CC se lleva a cabo correctamente y que no pueden darse fallos a tierra durante el funcionamiento.

#### PRECAUCIÓN

##### **Daños en los conectadores de enchufe de CC por la utilización de limpiadores de contacto y otros productos de limpieza**

Algunos de ellos pueden contener sustancias que descomponen el plástico de los conectadores de enchufe de CC.

- Por ello, no utilice limpiadores de contacto u otros productos de limpieza para los conectadores de enchufe de CC.

#### PRECAUCIÓN

##### **Daños irreparables en el inversor a causa de la sobretensión**

Si la tensión en vacío de los módulos fotovoltaicos sobrepasa la tensión de entrada máxima del inversor, la sobretensión podría dañarlo irreparablemente.

- Si la tensión en vacío de los módulos fotovoltaicos supera la tensión de entrada máxima del inversor, no conecte a este ningún string y revise el dimensionado de la planta fotovoltaica.

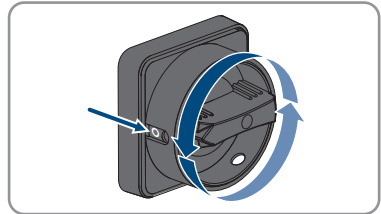
#### PRECAUCIÓN

##### **Daños irreparables en el equipo de medición a causa de la sobretensión**

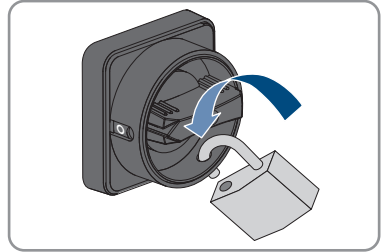
- Use solo equipos de medición con un rango de tensión de entrada de CC de hasta 1000 V como mínimo.

**Procedimiento:**

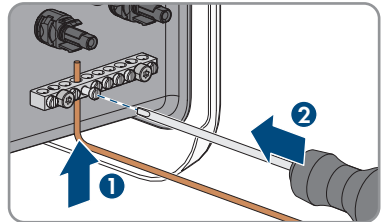
1. Asegúrese de que el disyuntor esté desconectado y asegurado contra cualquier reconexión accidental.
2. Es necesario asegurarse de que el interruptor-seccionador de potencia de CA y el interruptor-seccionador de potencia de CC estén en la posición **O** y asegurados contra reconexión.



3. Asegure el interruptor-seccionador de potencia de CC con un candado adecuado.



4. Conecte cada uno de los conductores de puesta a tierra del equipo del generador fotovoltaico a un terminal de puesta a tierra del equipo:
  - Pele 10 mm (0,4 in) del conductor de puesta a tierra del equipo.
  - Insertar el conductor de puesta a tierra del equipo en una abertura de contacto del terminal de puesta a tierra del equipo y apretar los tornillos correspondientes con un destornillador de estrella Pozidriv (par de apriete: 4 Nm (35 in-lb)).



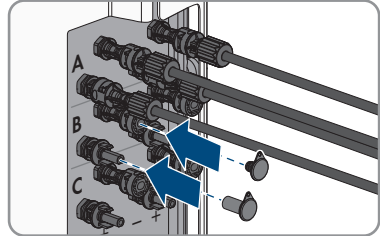
5. Compruebe si los conectadores de enchufe de CC tienen la polaridad correcta. Si el conector de enchufe de CC está equipado con un cable de CC con la polaridad equivocada, será necesario volver a preparar el conector de enchufe de CC. El cable de CC debe tener siempre la misma polaridad que el conector de enchufe de CC.
6. Asegúrese de que la tensión en vacío del generador fotovoltaico no supere la tensión de entrada máxima del inversor y de que no existe ningún fallo a tierra en el generador fotovoltaico.
7. Conecte los conectadores de enchufe de CC preparados al inversor.
  - Los conectadores de enchufe de CC encajan de manera audible.
8. Compruebe que todos los conectadores de enchufe de CC estén firmemente colocados.

9.

**PRECAUCIÓN****Daños en el producto provocados por arena, polvo y humedad en caso de que las entradas de CC no estén cerradas**

El producto solo es hermético si todas las entradas de CC que no se utilizan están cerradas con conectores de enchufe de CC y con selladores. Si penetra arena, polvo y humedad, el producto podría resultar dañado y sus funciones podrían verse limitadas.

- Cierre todas las entradas de CC innecesarias con los selladores tal y como se describe a continuación.
- Inserte los conectores de CC con selladores en las entradas de CC libres del inversor.



## 7 Puesta en marcha

### 7.1 Procedimiento para la puesta en marcha

Este capítulo describe el procedimiento de la puesta en marcha y proporciona una vista general de los pasos que deberá llevar a cabo en el orden especificado.

Procedimiento	Consulte
1. Ponga en marcha el inversor.	Capítulo 7.2, página 110
2. Establezca una conexión con la interfaz de usuario del inversor. Para ello, dispone de diferentes posibilidades de conexión: <ul style="list-style-type: none"> <li>• Conexión directa mediante WLAN</li> <li>• Conexión mediante WLAN en la red local</li> <li>• Conexión mediante ethernet en la red local</li> </ul>	Capítulo 7.3, página 112
3. Inicie sesión en la interfaz de usuario.	Capítulo 7.4, página 116
4. Seleccione la opción para la configuración del inversor. Tenga en cuenta que para modificar parámetros relevantes para la red después de las primeras 10 horas de servicio o después de la finalización del asistente de instalación debe conocer el código SMA Grid Guard (consulte el "Formulario de solicitud del código SMA Grid Guard" en <a href="http://www.SMA-Solar.com">www.SMA-Solar.com</a> ).	Capítulo 7.5, página 117
5. En caso necesario, ajuste los parámetros de monitorización de tensión y frecuencia.	Capítulo 7.6, página 120
6. Asegúrese de que el registro de datos nacionales esté correctamente configurado.	Instrucciones de uso del inversor
7. Efectúe otros ajustes del inversor en caso necesario.	Instrucciones de uso del inversor

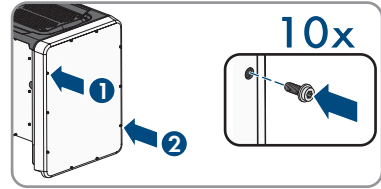
### 7.2 Puesta en marcha del inversor

#### Requisitos:

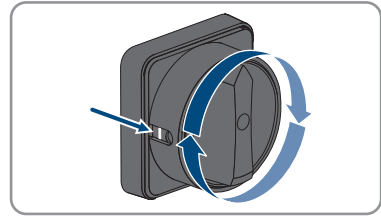
- Debe haber disponible un medio de desconexión del inversor del generador fotovoltaico.
- El disyuntor de CA debe estar correctamente dimensionado e instalado.
- El inversor debe estar correctamente montado.
- Todos los conductores deben estar correctamente conectados.
- Las aberturas en la carcasa que no se utilicen deben cerrarse con selladores.

**Procedimiento:**

1. Coloque la tapa sobre la carcasa de la unidad de conexión de CA y apriete primero el tornillo arriba a la izquierda y abajo a la derecha, a continuación apriete en cruz el resto de tornillos (TX 25, par de apriete: 6 Nm (53 in-lb)).



2. Coloque la tapa sobre la carcasa de la unidad de conexión de CC y apriete primero el tornillo arriba a la izquierda y abajo a la derecha, a continuación apriete en cruz el resto de tornillos (TX 25, par de apriete: 6 Nm (53 in-lb)).
3. Coloque el interruptor-seccionador de potencia de CC del inversor en la posición I. Para ello, retire primero el candado.



4. Coloque el interruptor-seccionador de potencia de CA del inversor en la posición I.
5. Conecte el disyuntor de CA.
  - Los tres LEDs se iluminan. Comienza la fase de arranque.
  - Los tres LEDs se apagan de nuevo después de unos 90 segundos.
  - En función de la potencia disponible, el LED verde parpadea o permanece encendido. El inversor inyecta a red.
6. Si el LED verde continúa parpadeando, no se cumplen las condiciones para el funcionamiento de inyección. En cuanto se cumplen estas condiciones, el inversor inicia el funcionamiento de inyección y, en función de la potencia disponible, el LED verde permanece encendido o parpadea.
7. Si el LED rojo está encendido, hay un evento. Averigüe de qué evento se trata y, en caso necesario, emprenda las medidas necesarias.

## 7.3 Conexión con la interfaz de usuario

### 7.3.1 Conexión directa mediante ethernet

#### Requisitos:

- El producto debe estar en funcionamiento.
- Debe disponer de un dispositivo terminal (por ejemplo, ordenador) con interfaz ethernet.
- El producto debe estar conectado directamente con el dispositivo terminal.
- En el dispositivo terminal debe haber instalado alguno de los siguientes navegadores de internet en su versión actualizada: Chrome, Edge, Firefox, Internet Explorer o Safari.
- Debe conocer el código SMA Grid Guard del instalador para poder modificar los ajustes que afectan a la red después de las primeras 10 horas de inyección o después de la finalización del asistente de instalación (consulte "Formulario de solicitud del código SMA Grid Guard" en [www.SMA-Solar.com](http://www.SMA-Solar.com)).



#### Dirección IP del inversor

- Dirección IP estándar del inversor para la conexión directa mediante ethernet:  
169.254.12.3

#### Procedimiento:

1. Abra el navegador de internet de su equipo, escriba la dirección IP **169.254.12.3** en la barra de direcciones y pulse la tecla intro.
  2. **El navegador de internet advierte de una vulnerabilidad de seguridad**  
Después de confirmar la dirección IP pulsando la tecla intro, puede aparecer un aviso que advierte de que la conexión con la interfaz de usuario del inversor no es segura. SMA Solar Technology AG garantiza que es seguro acceder a la interfaz de usuario.
    - Continúa cargando la interfaz de usuario.
- Se abre la página de inicio de sesión de la interfaz de usuario.

### 7.3.2 Conexión directa mediante WLAN

#### Requisitos:

- El producto debe estar en funcionamiento.
- Debe disponer de un dispositivo terminal (como ordenador, tableta o teléfono inteligente).
- En el dispositivo terminal debe haber instalado alguno de los siguientes navegadores de internet en su versión actualizada: Chrome, Edge, Firefox, Internet Explorer o Safari.
- El navegador de Internet del dispositivo terminal debe estar activado JavaScript.
- Debe conocer el código SMA Grid Guard del instalador para poder modificar los ajustes que afectan a la red después de las primeras 10 horas de inyección o después de la finalización del asistente de instalación (consulte "Formulario de solicitud del código SMA Grid Guard" en [www.SMA-Solar.com](http://www.SMA-Solar.com)).



### **i** SSID, dirección IP y contraseñas necesarias

- SSID en la WLAN: SMA[número de serie] (por ejemplo, SMA0123456789)
- Contraseña WLAN estándar (puede utilizarse hasta que finalice la configuración con la ayuda del asistente de instalación o antes de que transcurran las primeras 10 hora de inyección): SMA12345
- Contraseña WLAN específica del equipo (para utilizar después de la primera configuración y después de que hayan transcurrido las primeras 10 horas de inyección): consulte WPA2-PSK en la placa de características del inversor o en el dorso de las instrucciones suministradas
- Dirección IP estándar para la conexión directa mediante WLAN fuera de una red local: 192.168.12.3

### **i** No es posible importar y exportar archivos en terminales con sistema operativo iOS

Por motivos técnicos, no es posible importar o exportar archivos (por ejemplo, importar una configuración del inversor, guardar la configuración actual del inversor o exportar eventos y parámetros) en los terminales móviles con sistema operativo iOS.

- Para importar y exportar archivos utilice un terminal con un sistema operativo distinto de iOS.

El procedimiento varía según el dispositivo terminal. Si el procedimiento descrito no es aplicable a su equipo, establezca una conexión directa mediante WLAN tal y como se describe en las instrucciones de su equipo.

#### **Procedimiento:**

1. Si su dispositivo terminal dispone de una función WPS:
  - Active la función WPS en el inversor. Para ello, dé dos golpecitos consecutivos junto a los leds en la tapa de la carcasa de la Connection Unit de CC.
    - El led azul parpadea rápido durante 2 minutos aprox. La función WPS está activa en ese momento.
  - Active la función WPS de su dispositivo.
    - Se establecerá automáticamente la conexión con su dispositivo. Este proceso puede durar hasta 20 segundos.
2. Si su dispositivo terminal no dispone de una función WPS:
  - Busque una red WLAN con su dispositivo.
  - En la lista con las redes WLAN encontradas, seleccione el SSID del inversor **SMA[número de serie]**.

- Introduzca la contraseña WLAN del inversor. Durante las 10 primeras horas de inyección y antes de la finalización de la configuración con la ayuda del asistente de instalación, debe utilizar la contraseña WLAN estándar **SMA12345**. Después de las primeras 10 horas de inyección o después de la finalización de la configuración con la ayuda del asistente de instalación, deberá utilizar la contraseña WLAN específica (WPA2-PSK) del inversor. Encontrará la contraseña WLAN (WPA2-PSK) en la placa de características.
3. Escriba la dirección IP **192.168.12.3** o, si su equipo es compatible con servicios mDNS, **SMA[número de serie].local** o **https://SMA[número de serie]** en la barra de direcciones del navegador de internet y pulse la tecla intro.
  4. **i El navegador de internet advierte de una vulnerabilidad de seguridad**  
 Después de confirmar la dirección IP pulsando la tecla intro, puede aparecer un aviso que advierte de que la conexión con la interfaz de usuario del inversor no es segura. SMA Solar Technology AG garantiza que es seguro acceder a la interfaz de usuario.
    - Continuar cargando la interfaz de usuario. Se abre la página de inicio de sesión de la interfaz de usuario.

### 7.3.3 Conexión mediante ethernet en la red local

#### **i Nueva dirección IP para conectar con una red local**

Si el producto está conectado a una red local (por ejemplo, mediante un router), se le asignará una nueva dirección IP al producto. Según el tipo de configuración, la dirección es asignada automáticamente por el servidor DHCP (router), o bien manualmente por el usuario. Una vez finalizada la configuración, al producto solo se puede acceder desde las siguientes direcciones de acceso:

- Dirección de acceso general: dirección IP asignada manualmente o por el servidor DHCP (router). Para averiguar esta dirección puede utilizar un software de escaneo de la red o la configuración de red del router.
- Dirección de acceso para sistemas Apple y Linux: SMA[número de serie].local (por ejemplo, SMA0123456789.local).
- Dirección de acceso para sistemas Windows y Linux: https://SMA[número de serie] (por ejemplo https://SMA0123456789)

**Requisitos:**

- El producto debe estar conectado a la red local con un cable de red (por ejemplo, por medio de un rúter).
- El producto debe estar integrado en la red local. Consejo: Tiene varias opciones para integrar el producto en la red local por medio del asistente de instalación.
- Debe disponer de un dispositivo terminal (como ordenador, tableta o teléfono inteligente).
- El dispositivo terminal debe encontrarse en la misma red local que el producto.
- En el dispositivo terminal debe haber instalado alguno de los siguientes navegadores de internet en su versión actualizada: Chrome, Edge, Firefox, Internet Explorer o Safari.
- Debe conocer el código SMA Grid Guard del instalador para poder modificar los ajustes que afectan a la red después de las primeras 10 horas de inyección o después de la finalización del asistente de instalación (consulte "Formulario de solicitud del código SMA Grid Guard" en [www.SMA-Solar.com](http://www.SMA-Solar.com)).

**Procedimiento:**

1. Abra el navegador de internet de su dispositivo terminal, escriba la dirección IP del inversor en la barra de direcciones del navegador de internet y pulse la tecla intro.
  2. **i El navegador de internet advierte de una vulnerabilidad de seguridad**  
Después de confirmar la dirección IP pulsando la tecla intro, puede aparecer un aviso que advierte de que la conexión con la interfaz de usuario del inversor no es segura. SMA Solar Technology AG garantiza que es seguro acceder a la interfaz de usuario.
    - Continuar cargando la interfaz de usuario.
- Se abre la página de inicio de sesión de la interfaz de usuario.

**7.3.4 Conexión mediante WLAN en la red local****i Nueva dirección IP para conectar con una red local**

Si el producto está conectado a una red local (por ejemplo, mediante un rúter), se le asignará una nueva dirección IP al producto. Según el tipo de configuración, la dirección es asignada automáticamente por el servidor DHCP (rúter), o bien manualmente por el usuario. Una vez finalizada la configuración, al producto solo se puede acceder desde las siguientes direcciones de acceso:

- Dirección de acceso general: dirección IP asignada manualmente o por el servidor DHCP (rúter). Para averiguar esta dirección puede utilizar un software de escaneo de la red o la configuración de red del rúter.
- Dirección de acceso para sistemas Apple y Linux: SMA[número de serie].local (por ejemplo, SMA0123456789.local).
- Dirección de acceso para sistemas Windows y Linux: [https://SMA\[número de serie\]](https://SMA[número de serie]) (por ejemplo <https://SMA0123456789>)

**Requisitos:**

- El producto debe estar en funcionamiento.
- El producto debe estar integrado en la red local. Consejo: Tiene varias opciones para integrar el producto en la red local por medio del asistente de instalación.
- Debe disponer de un dispositivo terminal (como ordenador, tableta o teléfono inteligente).
- El dispositivo terminal debe encontrarse en la misma red local que el producto.
- En el dispositivo terminal debe haber instalado alguno de los siguientes navegadores de internet en su versión actualizada: Chrome, Edge, Firefox, Internet Explorer o Safari.
- Debe conocer el código SMA Grid Guard del instalador para poder modificar los ajustes que afectan a la red después de las primeras 10 horas de inyección o después de la finalización del asistente de instalación (consulte "Formulario de solicitud del código SMA Grid Guard" en [www.SMA-Solar.com](http://www.SMA-Solar.com)).

**i** **No es posible importar y exportar archivos en terminales con sistema operativo iOS**

Por motivos técnicos, no es posible importar o exportar archivos (por ejemplo, importar una configuración del inversor, guardar la configuración actual del inversor o exportar eventos y parámetros) en los terminales móviles con sistema operativo iOS.

- Para importar y exportar archivos utilice un terminal con un sistema operativo distinto de iOS.

**Procedimiento:**

1. Introduzca en la barra de direcciones del navegador de internet la dirección IP del inversor.
  2. **i** **El navegador de internet advierte de una vulnerabilidad de seguridad**  
Después de confirmar la dirección IP pulsando la tecla intro, puede aparecer un aviso que advierte de que la conexión con la interfaz de usuario del inversor no es segura. SMA Solar Technology AG garantiza que es seguro acceder a la interfaz de usuario.
    - Continuar cargando la interfaz de usuario.
- Se abre la página de inicio de sesión de la interfaz de usuario.

## 7.4 Inicio de sesión en la interfaz de usuario

Una vez que se ha establecido una conexión con la interfaz de usuario del inversor, se abre la página de inicio. Inicie sesión en la interfaz de usuario según se describe a continuación.

**Procedimiento:**

1. Seleccione el idioma deseado en la lista desplegable **Idioma**.
  2. En la lista desplegable **Grupo de usuario** seleccione la entrada **Instalador**.
  3. En el campo **Contraseña nueva**, introduzca una contraseña nueva para el grupo de usuarios **Instalador**.
  4. En el campo **Repetir contraseña**, vuelva a escribir la contraseña nueva.
  5. Seleccione **Iniciar sesión**.
- Se abre la página **Configurar inversor**.

## 7.5 Seleccione el tipo de configuración

Cuando inicie sesión como **Instalador** en la interfaz de usuario, se abrirá la página **Configurar inversor**.

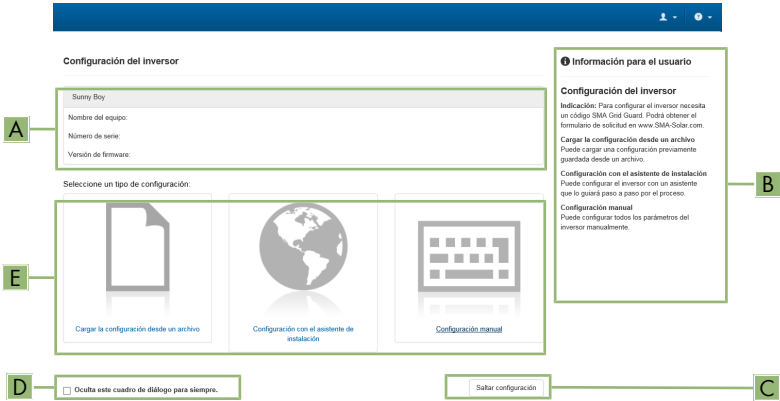


Imagen 12 : Estructura de la página **Configurar inversor**

Posición	Denominación	Significado
A	Información de los equipos	Muestra esta información: <ul style="list-style-type: none"> <li>Nombre del equipo</li> <li>Número de serie del inversor</li> <li>Versión de firmware del inversor</li> </ul>
B	Informaciones del usuario	Muestra información breve sobre las opciones de configuración indicadas.
C	Saltar configuración	Permite saltar la configuración del inversor y acceder directamente a la interfaz de usuario (no recomendado).
D	Casilla	Permite seleccionar que la página mostrada no vuelva a mostrarse al volver a acceder a la interfaz de usuario.
E	Opciones de configuración	Muestra las distintas opciones de configuración que se pueden seleccionar.

### Procedimiento:

En la página **Configurar inversor** dispone de diferentes opciones de configuración. Seleccione una de las opciones y proceda con la opción seleccionada tal y como se explica a continuación: SMA Solar Technology AG recomienda utilizar el asistente de instalación para realizar la configuración. De esta manera se asegura de que todos los parámetros relevantes estén ajustados para garantizar un funcionamiento óptimo del inversor.

- Cargar la configuración desde un archivo

- Configuración con el asistente de instalación (recomendado)
- Configuración manual

### **i** Adopción de los ajustes

El guardado de los ajustes efectuados se muestra en la interfaz de usuario mediante el símbolo de un reloj de arena. Si hay suficiente tensión de CC, los datos son transmitidos directamente al inversor, que los adopta. Si no hay suficiente tensión de CC (por ejemplo, al anochecer), los ajustes se guardan pero no se pueden transmitir directamente al inversor ni este puede adoptarlos. Mientras el inversor no haya recibido y adoptado los ajustes, en la interfaz de usuario continúa mostrándose el símbolo del reloj de arena. Los ajustes se adoptarán en cuanto haya suficiente tensión de CC y el inversor se reinicie. En cuanto aparezca el símbolo del reloj de arena en la interfaz de usuario, los ajustes se habrán guardado. Los ajustes no se pierden. Puede cerrar sesión en la interfaz de usuario y abandonar la planta.

### **Cargar la configuración desde un archivo**

Puede cargar la configuración del inversor desde un archivo. Para ello, debe tener una configuración del inversor guardada en un archivo.

#### **Procedimiento:**

1. Seleccione la opción de configuración **Cargar la configuración desde un archivo**.
2. Seleccione el archivo de actualización deseado y pulse [**Buscar...**].
3. Seleccione [**Importar archivo**].

## Configuración con el asistente de instalación (recomendado)

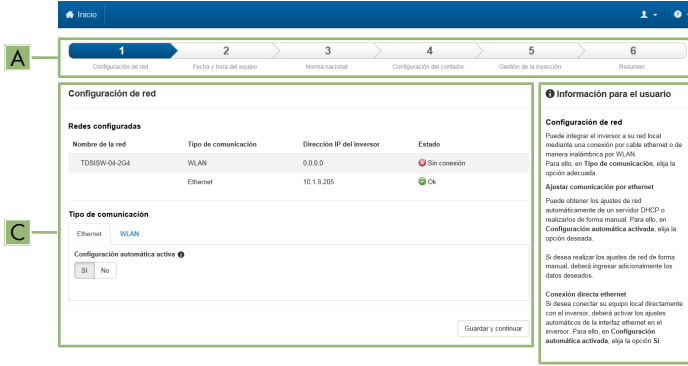


Imagen 13 : Estructura del asistente de instalación (ejemplo)

Posición	Denominación	Significado
A	Pasos para la configuración	Vista general de los pasos del asistente de instalación. El número de pasos depende del tipo de equipo y de los módulos integrados. El paso actual aparece resaltado en azul.
B	Información del usuario	Información sobre el paso actual en la configuración y sobre las opciones de ajuste disponibles en dicho paso.
C	Campo de configuración	En este campo puede efectuar los ajustes.

### Procedimiento:

1. Seleccione la opción de configuración **Configuración con el asistente de instalación**.
  - Se abre el asistente de instalación.
2. Siga los pasos del asistente de instalación y efectúe los ajustes que correspondan a su planta.
3. Para cada ajuste realizado en un paso seleccione **[Guardar y continuar]**.
  - En el último paso se relacionan todos los ajustes realizados a modo de resumen.
4. Para guardar los ajustes en un archivo, seleccione **[Exportar resumen]** y guarde el archivo en su ordenador, tableta o teléfono inteligente.
5. Para exportar todos los parámetros y sus ajustes, seleccione **[Exportar todos los parámetros]**. Así se exportarán todos los parámetros y sus ajustes a un archivo HTML.
6. Para corregir un ajuste, seleccione **[Atrás]**, navegue al paso deseado, corrija los ajustes y seleccione **[Guardar y continuar]**.
7. Si todos los ajustes son correctos, seleccione **[Siguiente]** en la vista de resumen.
  - Se abre la página de inicio de la interfaz de usuario.

## Configuración manual

Puede configurar el inversor de forma manual ajustando los parámetros que desee.

### Procedimiento:

1. Seleccione la opción de configuración **Configuración manual**.
  - Se abre el menú **Parámetros del equipo** en la interfaz de usuario y se muestran todos los grupos de parámetros disponibles del inversor.
2. Seleccione [**Modificar parámetros**].
3. Seleccione el grupo de parámetros que desee.
  - Se muestran todos los parámetros disponibles del grupo de parámetros.
4. Ajuste los parámetros que desee.
5. Seleccione [**Guardar todo**].
  - Los parámetros del inversor están configurados.

## 7.6 Parámetros ajustables

Los siguientes parámetros de monitorización de tensión y frecuencia pueden ajustarse a través de la interfaz de usuario del inversor (para la descripción del procedimiento básico para la modificación de los parámetros de funcionamiento, consulte las instrucciones de uso del inversor).

En casos de una modificación de las tensiones se utiliza exclusivamente la tensión entre el conductor de fase y el conductor neutro. Si existen los valores pre-determinados en las tensiones entre fases, se han de convertir en valores de tensión entre el conductor de fase y el conductor neutro.

Nombre	Valor/Rango	Valor predeterminado
<b>Monitorización de la tensión, umbral máximo sup. como valor efectivo</b>	220 V a 332,4 V	332,4 V
<b>Monitorización de tensión umbral máximo medio</b> (Overvoltage/Fast)	220 V a 332,4 V	332,4 V
<b>Monitorización de tensión umbral máx. inferior</b> (Overvoltage/Slow)	220 V a 305 V	304,7 V
<b>Monitorización de tensión umbral mínimo superior</b> (Undervoltage/Slow)	103,5 V a 277,0 V	243,8 V
<b>Monitorización de tensión umbral mínimo medio</b> (Undervoltage/Fast)	103,5 V a 277,0 V	138,5 V
<b>Monitorización de la tensión, umbral mínimo inf. como valor efectivo</b>	103,5 V a 277 V	138,5 V
<b>Monitorización de la tensión, umbral máximo sup. como valor efectivo, tiempo de disparo</b>	0,05 s a 59 s	0,16 s



Nombre	Valor/Rango	Valor predeterminado
<b>Monito. tensión umbral máx. medio tiempo disparo</b> (Overvoltage/Fast, maximum time)	0,05 s a 59 s	0,16 s
<b>Monito. tensión umbral máx. inf. tiempo disparo</b> (Overvoltage/Slow, maximum time)	0,1 s a 60 s	1,0 s
<b>Monito. tensión umbral mín. sup. tiempo disparo</b> (Undervoltage/Slow, maximum time)	0,1 s a 60 s	2,0 s
<b>Monito. tensión umbral mín. medio tiempo disparo</b> (Undervoltage/Fast, maximum time)	0,1 s a 60 s	0,16 s
<b>Monitorización de la tensión, umbral mínimo inf. como valor efectivo, tiempo de disparo</b>	0,1 s a 60 s	0,16 s
<b>Monitorización frecuencia umbral mínimo superior</b> (Underfrequency)	44 Hz a 60 Hz	59,3 Hz
<b>Monitorización frecuencia umbral máximo inferior</b> (Overfrequency)	50 Hz a 66 Hz	60,5 Hz
<b>Monito. frec. umbral mín. superior tiempo disparo</b> (Underfrequency, maximum time)	0,1 s a 1000 s	0,16 s
<b>Monito. frec. umbral máx. inferior tiempo disparo</b> (Overfrequency, maximum time)	0,1 s a 1000 s	0,16 s

## 8 Desconexión del inversor de la tensión

Antes de efectuar cualquier trabajo en el inversor, desconéctelo siempre de la tensión tal y como se describe en este capítulo. Siga siempre el orden indicado.

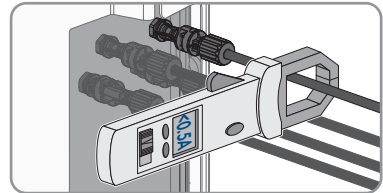
### PRECAUCIÓN

#### **Daños irreparables en el equipo de medición a causa de la sobretensión**

- Use solo equipos de medición con un rango de tensión de entrada de CC de hasta 1000 V como mínimo.

#### **Procedimiento:**

1. Desconecte el disyuntor de CA y asegúrelo contra cualquier reconexión.
2. Coloque el interruptor-seccionador de potencia de CA del inversor en la posición **O**.
3. Asegure el interruptor-seccionador de potencia de CA contra reconexión con un candado adecuado.
4. Coloque el interruptor-seccionador de potencia de CC del inversor en la posición **O**.
5. Asegure el interruptor-seccionador de potencia de CC contra reconexión con un candado adecuado.
6. Si se utiliza el relé multifunción, desconecte en caso necesario la tensión de alimentación del equipo consumidor.
7. Espere hasta que los LEDs estén apagados.
8. Con una pinza amperimétrica, compruebe que no haya corriente en ninguno de los conductores de CC.



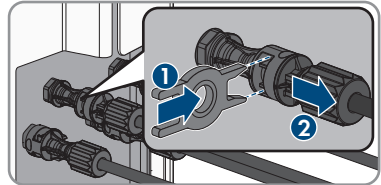
9.

**⚠ PELIGRO****Peligro de muerte por descarga eléctrica en caso de tocar cables de CC o contactos de conexión de CC al descubierto en conectadores de enchufe de CC dañados o sueltos**

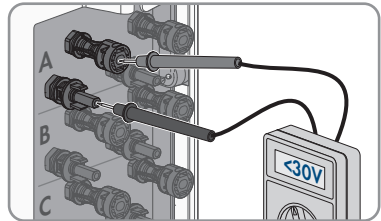
El desbloqueo o la extracción incorrecta de los conectadores de enchufe CC puede ocasionar la rotura o daños en los conectadores de enchufe CC, puede hacer que se suelten de los cables de CC o que dejen de estar debidamente conectados. En consecuencia, los cables de CC o los contactos de conexión de CC podrían quedar al descubierto. Tocar los conductores de CC o los contactos de conexión de CC bajo tensión puede provocar la muerte o lesiones graves por descarga eléctrica.

- Al realizar trabajos en los contactores de enchufe CC, utilizar guantes y herramientas con el debido aislamiento.
- Asegurarse de que los conectores de enchufe CC se encuentren en estado impecable y que no haya cables de CC o contactos de conexión CC al descubierto.
- Desbloquear y extraer los conectadores de enchufe con cuidado, tal y como se describe a continuación.

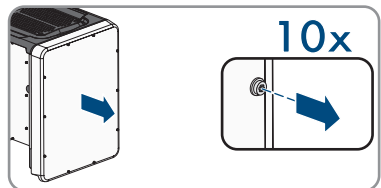
10. Desbloquee y saque el conector de enchufe con la correspondiente herramienta de desbloqueo (para más información ver las instrucciones del fabricante).



11. Con un equipo de medición adecuado, asegúrese de que no haya tensión en las entradas de CC del inversor.



12. Suelte los diez tornillos de la tapa de la carcasa de la Connection Unit de CA y retire la tapa de la carcasa con cuidado tirando de ella hacia delante (TX 25).



13. Aparte y guarde en un lugar seguro la tapa de la carcasa y los tornillos.

14. Compruebe con un de medición adecuado que no haya tensión en la caja de bornes de AC entre L1 y N, L2 y N y L3 y N. Para ello, introduzca la punta de comprobación (diámetro: máximo 2,5 mm (0,078 in)) en el punto de medición de la respectiva caja de bornes.
15. Compruebe con un equipo de medición adecuado que no haya tensión en la caja de bornes de AC entre L1 y PE, L2 y PE y L3 y PE. Para ello, introduzca la punta de comprobación (diámetro: máximo 2,5 mm (0,078 in)) en el punto de medición de la respectiva caja de bornes.

## 9 Puesta fuera de servicio del inversor

Para poner el inversor fuera de servicio definitivamente una vez agotada su vida útil, siga el procedimiento descrito en este capítulo.

### ⚠ ATENCIÓN

#### Peligro de lesiones al levantar y caerse el inversor

El inversor pesa 84 kg (185,2 lbs). Existe peligro de lesiones al levantar el inversor de forma inadecuada y en caso de caerse durante el transporte o el montaje.

- El inversor se debe transportar en posición vertical y levantar entre varias personas sin volcarlo.

#### Requisitos:

- Debe haber un palet disponible.
- Debe estar presente el embalaje original con acolchado.
- Deben estar disponibles todas las asas de transporte.

#### Procedimiento:

1.

### ⚠ PELIGRO

#### Peligro de muerte por altas tensiones

- Desconecte el inversor de la tensión (consulte el capítulo 8, página 122).

2.

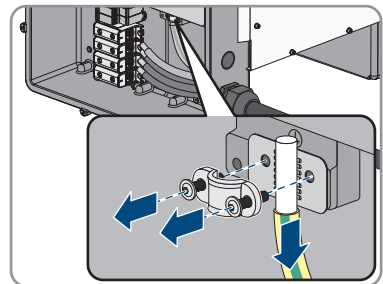
### ⚠ ATENCIÓN

#### Peligro de quemaduras por contacto con las partes calientes de la carcasa

- Espere 30 minutos a que la carcasa se enfríe.

3. Retire el conductor de CA del inversor. Para ello, soltar los tornillos (TX30) y extraer los cables del punto de embornado.

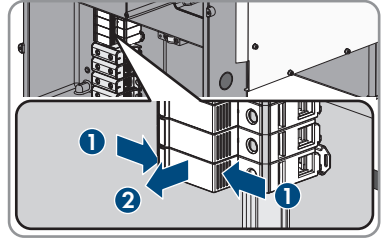
4. Retire el conductor de puesta a tierra del equipo de la red pública del terminal de puesta a tierra del equipo. Para ello, soltar los tornillos (TX25) y extraer el conductor de puesta a tierra del equipo de debajo de la brida.



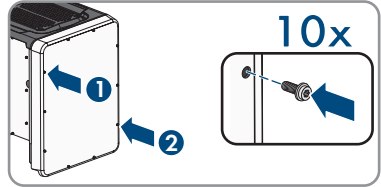
5. Retire todos los conductores de CA del inversor.

6. Retire el conducto para cables de la abertura en la carcasa de la unidad de conexión de CA. Para ello, desenrosque los manguitos desde el interior de la abertura en la carcasa.

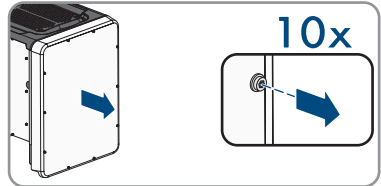
7. Si hay descargadores de sobretensión enchufados, extráigalos de las ranuras. Apriete las superficies acanaladas a la izquierda y la derecha del descargador de sobretensión.



8. Coloque la tapa sobre la carcasa de la unidad de conexión de CA y apriete primero el tornillo arriba a la izquierda y abajo a la derecha, a continuación apriete en cruz el resto de tornillos (TX 25, par de apriete: 6 Nm (53 in-lb)).

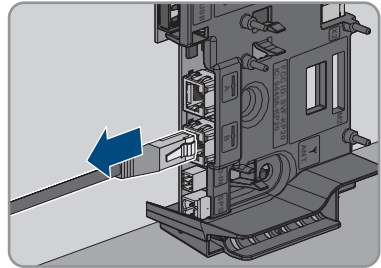


9. Suelte los diez tornillos de la tapa de la carcasa de la Connection Unit de CC y retire la tapa de la carcasa tirando de ella hacia delante (TX 25).



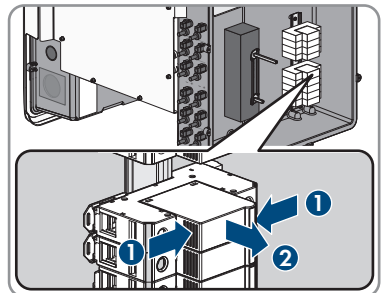
10. Aparte y guarde en un lugar seguro la tapa de la carcasa y los tornillos.

11. Retire todos los cables de conexión del módulo de comunicación y saque los cables de conexión de la unidad de conexión de CC.

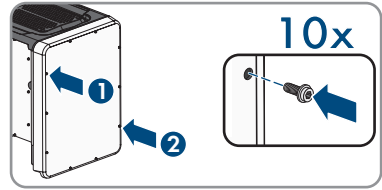


12. Retire todos los conductos con conductores del inversor. Para ello, extraiga los manguitos desde el interior de las aberturas en la carcasa.

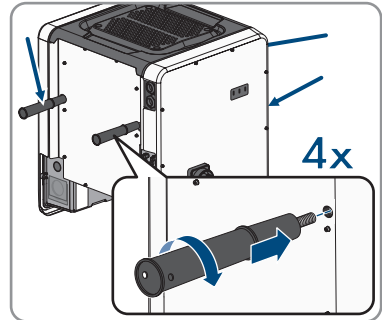
13. Si hay descargadores de sobretensión de CC enchufados, extráigalos de las ranuras. Apriete las superficies acanaladas a la izquierda y la derecha del descargador de sobretensión.



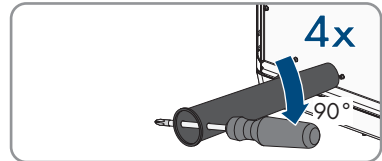
14. Coloque la tapa sobre la carcasa de la unidad de conexión de CC y apriete primero el tornillo arriba a la izquierda y abajo a la derecha, a continuación apriete en cruz el resto de tornillos (TX 25, par de apriete: 6 Nm (53 in-lb)).



15. Enrosque hasta el tope en los orificios roscados las 4 asas de transporte en el lado derecho e izquierdo hasta que queden a nivel con la carcasa. Asegúrese de que las asas de transporte no se enrosquen dobladas en los orificios roscados. Si se enroscan dobladas las asas de transporte es posible que luego resulte difícil o imposible desenroscarlas y los orificios roscados pueden resultar dañados para utilizarlos en un nuevo montaje de las asas de transporte.



16. Inserte un destornillador en los orificios de las asas de transporte y gírelo 90 grados. De este modo se asegura de que las asas de transporte están bien apretadas.



17. Para desmontar los pies o las guías perfiladas, coloque el inversor con cuidado al lado de la unidad de conexión de CA.
18. En caso de ser necesario almacenar o enviar el inversor, se debe empaquetar en su embalaje original:
- Coloque la parte inferior del embalaje original con el acolchado sobre el europalet.
  - Coloque el inversor sobre el europalet con el acolchado. Al hacerlo, coloque el inversor con el lado de la Connection Unit de CA sobre el acolchado.
  - Desenrosque las 4 asas de transporte de las cavidades roscadas. Para ello, en caso necesario, introduzca un destornillador en los agujeros de las asas de transporte y aflójelas con ayuda del mismo.
  - Ponga la parte superior del embalaje original sobre el inversor.
  - Coloque la parte superior del acolchado.
  - Cierre el embalaje.
  - Asegure el embalaje y el europalet con un flejado o con cintas.
19. Si debe desechar el inversor, hágalo conforme a la normativa local vigente para la eliminación de residuos electrónicos.

## 10 Datos técnicos

### Entrada de CC

	STP 33-US-41	STP 50-US-41	STP 62-US-41
Potencia del generador fotovoltaico máxima	50000 W <sub>p</sub>	75000 W <sub>p</sub>	93750 W <sub>p</sub>
Tensión de entrada máxima	1000 V	1000 V	1000 V
Rango de tensión del MPP	330 V a 800 V	500 V a 800 V	550 V a 800 V
Tensión asignada de entrada	683 V	725 V	725 V
Tensión de entrada mínima	150 V	150 V	150 V
Tensión de entrada de inicio	188 V	188 V	188 V
Corriente de entrada máxima por conector de enchufe de CC	20 A	20 A	20 A
Corriente de entrada máxima por entrada	20 A	20 A	20 A
Corriente de cortocircuito máxima por entrada	30 A	30 A	30 A
Número de entradas del MPP independientes	6	6	6
Conectores de enchufe de CC por entrada del MPP	2	2	2

### Salida de CA

	STP 33-US-41	STP 50-US-41	STP 62-US-41
Potencia asignada a 277 V, 60 Hz	33300 W	50000 W	62500 W
Potencia aparente de CA máxima	33300 VA	53000 VA	66000 VA
Tensión de red asignada	277 V	277 V	277 V



	<b>STP 33-US-41</b>	<b>STP 50-US-41</b>	<b>STP 62-US-41</b>
Tensión nominal de CA	480 V / 277 V	480 V / 277 V	480 V / 277 V
Rango de tensión de CA*	244 V a 304,7 V	244 V a 304,7 V	244 V a 304,7 V
Corriente nominal de CA a 277 V	40 A	64 A	79,5 A
Corriente de salida máxima	40 A	64 A	80 A
Coeficiente de distorsión de la corriente de salida con un coeficiente de distorsión de la tensión de CA < 2% y una potencia de CA > 50% de la potencia asignada	< 3 %	< 3 %	< 3 %
Corriente residual de salida máxima	440 Apeak	440 Apeak	440 Apeak
Duración de la corriente residual de salida máxima	26 ms	26 ms	26 ms
Desequilibrio de corriente	0,06 %	0,07 %	0,09 %
Características de la sincronización de red	Method 2 (Método 2)	Method 2 (Método 2)	Method 2 (Método 2)
Frecuencia de red asignada	60 Hz	60 Hz	60 Hz
Rango de trabajo a una frecuencia de red de CA de 60 Hz	54 Hz a 66 Hz	54 Hz a 66 Hz	54 Hz a 66 Hz
Límite de exactitud de la medición de tensión	2% de la tensión de CA	2% de la tensión de CA	2% de la tensión de CA
Límite de exactitud de la medición de frecuencia	± 0,1 Hz	± 0,1 Hz	± 0,1 Hz
Límite de exactitud de la medición de tiempo en tiempo de activación nominal	± 0,1 %	± 0,1 %	± 0,1 %

	STP 33-US-41	STP 50-US-41	STP 62-US-41
Límite de exactitud de la medición de corriente	1% de la corriente de CA	1% de la corriente de CA	1% de la corriente de CA
Límite de exactitud de la medición de potencia (potencia reactiva y activa)	5% de la potencia nominal CA	5% de la potencia nominal CA	5% de la potencia nominal CA
Límite de exactitud de la medición del factor de potencia	0,01	0,01	0,01
Límite de exactitud de la medición de tiempo	0,001 s	0,001 s	0,001 s
Potencia de salida a +60 °C (+140 °F) con la tensión mínima del punto de máxima potencia (MPP)	> 27,6 kVA	> 34 kVA	> 40,8 kVA
Potencia de salida a +60 °C (+140 °F) con la tensión máxima del punto de máxima potencia (MPP)	> 33,3 kVA	> 38,5 kVA	40,2 kVA
Factor de potencia con potencia asignada	1	1	1
Rango del factor de desfase, ajustable	0,0 inductivo a 0,0 capacitivo	0,0 inductivo a 0,0 capacitivo	0,0 inductivo a 0,0 capacitivo
Fases de salida	3	3	3
Conductores de conexión	3-(N)-PE	3-(N)-PE	3-(N)-PE
Categoría de sobretensión según UL 1741	IV	IV	IV

\* En función del registro de datos nacionales configurado

## européo

	STP 33-US-41	STP 50-US-41	STP 62-US-41
Rendimiento máximo, $\eta_{\text{máx}}$	98,2 %	98,2 %	98,2 %
Rendimiento californiano, $\eta_{\text{CEC}}$	97,5 %	97,5 %	97,5 %

## Relé multifunción

Tensión máxima de conmutación de CC	30 V
Corriente máxima de conmutación de CA	1,0 A
Corriente máxima de conmutación de CC	1,0 A
Carga mínima	0,1 W
Vida útil mínima si se respetan la tensión de conmutación y la corriente de conmutación máximas*	100000 ciclos de conmutación

\* Equivale a 20 años con 12 conmutaciones por día.

## Dispositivos de protección

Protección contra polaridad inversa (CC)	Diodo de cortocircuito
Punto de desconexión en el lado de entrada	Interruptor-seccionador de potencia de CC
Interruptor de servicio en el lado de salida, con certificación UL 508	Interruptor-seccionador de CA
Protección contra sobretensión de CC	Descargador de sobretensión del tipo II o del tipo I+II (opcional)
Protección sobretensión de la CA	Descargador de sobretensión del tipo II o del tipo I+II (opcional)
Resistencia al cortocircuito de CA	Regulación de corriente
Monitorización de la red	SMA Grid Guard 3
Protección máxima admisible	100 A
Monitorización de fallo a tierra para STP 33-US-41	Monitorización de aislamiento: $R_{iso} > 150 \text{ k}\Omega$
Monitorización de fallo a tierra para STP 50-US-41/STP 62-US-41	Monitorización de aislamiento: $R_{iso} > 100 \text{ k}\Omega$
Unidad de seguimiento de la corriente residual integrada	Disponible
Sistema de detección de arcos voltaicos AFCL, tipo 1, con certificación UL 1699B Ed. 1	Disponible
Rapid Shutdown Equipment	Autodescarga en todos los cables de conexión de CC y CA < 30 V

## Datos generales

Ancho x alto x fondo, sin pies y sin disyuntor	621 mm x 733 mm x 569 mm (24,4 in x 28,8 in x 22,4 in)
Peso	84 kg (185,2 lbs)

Longitud x anchura x altura del embalaje	800 mm x 600 mm x 886 mm (31,5 in x 23,6 in x 34,9 in)
Peso de transporte (incluido el palet)	100 kg (220,46 lbs)
Rango de temperatura de funcionamiento	-25 °C a +60 °C (-13 °F a +140 °F)
Temperatura de almacenamiento	-40 °C a +70 °C (-40 °F a +158 °F)
Valor máximo permitido de humedad relativa, sin condensación	100 %
Altitud de funcionamiento máxima sobre el nivel del mar	3000 m (9843 ft)
Emisiones de ruido típicas	64 dB(A)
Potencia de disipación en el funcionamiento nocturno	5 W
Topología	Sin transformador
Sistema de refrigeración	SMA OptiCool
Número de ventiladores	3
Tipo de protección de la carcasa según UL50	Type 4X/3SX (Tipo 4X/3SX)
Clase de protección	I
Sistemas de distribución	Conexión en estrella de 277/480 V
Normas nacionales y autorizaciones, versión: 12/2018	UL 1741 2018, UL 1741 SA, UL 1699B Ed. 1, IEEE 1547, <i>Canadian Electrical Code</i> ® CSA 22.2 107-1-16, FCC Part 15 (clase A)

## Condiciones climáticas

### Colocación según la norma IEC 60721-3-4, clase 4K4H

Rango de temperatura ampliado	-25 °C a +60 °C (-13 °F a +140 °F)
Rango de humedad del aire ampliado	0% a 100%
Valor límite para la humedad relativa del aire, sin condensación	100 %
Rango de presión del aire ampliado	De 79,5 kPa a 106 kPa

### Transporte según la norma IEC 60721-3-4, clase 2K3

Rango de temperatura	-40 °C a +70 °C (-40 °F a +158 °F)
----------------------	------------------------------------

## Equipamiento

Conexión de CC	Conector fotovoltaico Amphenol UTX
Conexión de CA	Bornes roscados

Relé multifunción	De serie
Elementos de protección contra sobretensión del tipo 2 y del tipo 1+2 para CA y/o CC	Opcional

### Pares de apriete

Tornillos de la tapa de la carcasa de la Connection Unit de CC y la Connection Unit de CA	6 Nm (53 in-lb)
Tornillos y bornes de AC	14 Nm (126 in-lb)
Tornillos para fijar los pies o las guías perfiladas	16 Nm (142 in-lb)
Tornillos de la cubierta de la parte superior del inversor	6 Nm (53 in-lb)
Tornillos del terminal de puesta a tierra del equipo para la conexión del conductor de puesta a tierra del equipo de la red pública	6 Nm (53 in-lb)
Tornillos del terminal de puesta a tierra del equipo para la conexión del conductor de puesta a tierra del equipo del generador fotovoltaico	4 Nm (35 in-lb)

### Capacidad para almacenar datos

Rendimientos energéticos a lo largo del día	63 días
Rendimientos diarios	30 años
Avisos de evento para el usuario	1024 eventos
Avisos de evento para el instalador	1024 eventos

# 11 Información de cumplimiento

## FCC Compliance

This device complies with Part 15 of the FCC Rules and with Industry Canada licence-exempt RSS standard(s).

Operation is subject to the following two conditions:

1. this device may not cause harmful interference, and
2. this device must accept any interference received, including interference that may cause undesired operation.

Le présent appareil est conforme aux CNR d'Industrie Canada applicables aux appareils radio exempts de licence.

L'exploitation est autorisée aux deux conditions suivantes :

1. l'appareil ne doit pas produire de brouillage, et
2. l'utilisateur de l'appareil doit accepter tout brouillage radioélectrique subi, même si le brouillage est susceptible d'en compromettre le fonctionnement.

This device complies with Part 15 of the FCC Rules and with Industry Canada licence-exempt RSS standard(s).

Operation is subject to the following two conditions:

1. this device may not cause harmful interference, and
2. this device must accept any interference received, including interference that may cause undesired operation.

Le présent appareil est conforme aux CNR d'Industrie Canada applicables aux appareils radio exempts de licence.

L'exploitation est autorisée aux deux conditions suivantes :

1. l'appareil ne doit pas produire de brouillage, et
2. l'utilisateur de l'appareil doit accepter tout brouillage radioélectrique subi, même si le brouillage est susceptible d'en compromettre le fonctionnement.

NOTE: This equipment has been tested and found to comply with the limits for a Class A digital device, pursuant to Part 15 of the FCC Rules. These limits are designed to provide reasonable protection against harmful interference when the equipment is operated in a commercial environment. This equipment generates, uses, and can radiate radio frequency energy and, if not installed and used in accordance with the instruction manual, may cause harmful interference to radio communications. Operation of this equipment in a residential area is likely to cause harmful interference in which case the user will be required to correct the interference at his own expense.

Changes or modifications made to this equipment not expressly approved by SMA Solar Technology AG may void the FCC authorization to operate this equipment.

## IC Compliance

This Class A digital apparatus complies with Canadian ICES-003.

Cet appareil numérique de la classe A est conforme à la norme NMB-003 du Canada.

## 12 Contacto

Si surge algún problema técnico con nuestros productos, póngase en contacto con el Servicio Técnico de SMA. Para ayudarle de forma eficaz, necesitamos que nos facilite estos datos:

- Modelo
- Número de serie
- Versión de firmware
- Aviso de evento
- Lugar y altura de montaje
- Tipo y número de módulos fotovoltaicos
- Equipamiento opcional, como productos de comunicación
- Nombre de la planta en Sunny Portal (en su caso)
- Datos de acceso para Sunny Portal (en su caso)
- Ajustes especiales específicos del país (en su caso)
- Modo de funcionamiento del relé multifunción

United States	SMA Solar Technology America LLC Rocklin, CA	Toll free for USA and US Territories +1 877-MY-SMATech (+1 877-697-6283) International: +1 916 625-0870
Canada	SMA Solar Technology Canada Inc. Mississauga	Toll free for Canada / Sans frais pour le Canada : +1 877-MY-SMATech (+1 877-697-6283)
México	SMA Solar Technology de México Mexico City	Internacional: +1 916 625-0870

## Dispositions légales

Les informations contenues dans ce document sont la propriété de SMA Solar Technology AG. Aucune partie du présent document ne peut être reproduite, stockée dans un système d'extraction de données ou transmise par quelque moyen que ce soit (électroniquement, mécaniquement, par photocopie ou par enregistrement) sans l'accord écrit préalable de SMA Solar Technology AG. Une reproduction interne destinée à l'évaluation du produit ou à son utilisation conforme est autorisée et ne requiert aucun accord de notre part.

SMA Solar Technology AG ne fait aucune déclaration ni ne donnent aucune garantie, explicite ou implicite, concernant l'ensemble de la documentation ou les logiciels et accessoires qui y sont décrits, incluant, sans limitation, toutes garanties légales implicites relatives au caractère marchand et à l'adéquation d'un produit à un usage particulier. ne fait aucune déclaration ni ne donne aucune garantie, explicite ou implicite, concernant l'ensemble de la documentation ou les logiciels et accessoires qui y sont décrits, incluant, sans limitation, toutes garanties légales implicites relatives au caractère marchand et à l'adéquation d'un produit à un usage particulier. De telles garanties sont expressément exclues. SMA Solar Technology AG et ses revendeurs respectifs ne sauraient et ce, sous aucune circonstance, être tenus responsables en cas de pertes ou de dommages directs, indirects ou accidentels.

L'exclusion susmentionnée des garanties implicites peut ne pas être applicable à tous les cas.

Les spécifications peuvent être modifiées sans préavis. Tous les efforts ont été mis en œuvre pour que ce document soit élaboré avec le plus grand soin et tenu aussi à jour que possible. SMA Solar Technology AG avertit toutefois les lecteurs qu'elle se réserve le droit d'apporter des modifications aux présentes spécifications sans préavis ou conformément aux dispositions du contrat de livraison existant, dès lors qu'elle juge de telles modifications opportunes à des fins d'amélioration du produit ou d'expériences d'utilisation. SMA Solar Technology AG décline toute responsabilité pour d'éventuelles pertes ou d'éventuels dommages indirects ou accidentels causés par la confiance placée dans le présent matériel, comprenant notamment les omissions, les erreurs typographiques, les erreurs arithmétiques ou les erreurs de listage dans le contenu de la documentation.

### Garantie SMA

Vous pouvez télécharger les conditions de garantie actuelles sur le site [www.SMA-Solar.com](http://www.SMA-Solar.com).

### Licences logicielles

Vous trouverez les licences pour les modules logiciels utilisés sur l'interface utilisateur du produit.

### Marques déposées

Toutes les marques déposées sont reconnues, y compris dans les cas où elles ne sont pas explicitement signalées comme telles. L'absence de l'emblème de la marque ne signifie pas qu'un produit ou une marque puisse être librement commercialisé(e).

### SMA Solar Technology AG

Sonnenallee 1  
34266 Niestetal  
Allemagne  
Tel. +49 561 9522-0



Fax +49 561 9522-100

[www.SMA-Solar.com](http://www.SMA-Solar.com)

E-mail : [info@SMA.de](mailto:info@SMA.de)

État actuel : 09/01/2019

Copyright © 2018 SMA Solar Technology AG. Tous droits réservés.

# Table des matières

<b>1</b>	<b>Remarques relatives à ce document.....</b>	<b>140</b>
1.1	Champ d'application .....	140
1.2	Groupe cible .....	140
1.3	Contenu et structure du document .....	140
1.4	Niveaux de mise en garde.....	140
1.5	Symboles utilisés dans le document.....	141
1.6	Formats utilisés dans le document.....	141
1.7	Désignations utilisées dans le document .....	141
1.8	Informations complémentaires.....	142
<b>2</b>	<b>Sécurité.....</b>	<b>143</b>
2.1	Utilisation conforme .....	143
2.2	Consignes de sécurité importantes .....	144
<b>3</b>	<b>Contenu de la livraison.....</b>	<b>148</b>
<b>4</b>	<b>Vue d'ensemble des produits.....</b>	<b>149</b>
4.1	Description du produit .....	149
4.2	Symboles sur le produit .....	150
4.3	Interfaces et fonctionnalités .....	151
4.4	Signaux DEL .....	155
<b>5</b>	<b>Montage.....</b>	<b>157</b>
5.1	Conditions requises pour le montage .....	157
5.2	Montage de l'onduleur.....	161
<b>6</b>	<b>Raccordement électrique .....</b>	<b>163</b>
6.1	Aperçu de la zone de raccordement.....	163
6.2	Raccordement AC.....	164
6.2.1	Conditions préalables au raccordement AC .....	164
6.2.2	Raccordement de l'onduleur au réseau électrique public .....	166
6.3	Raccordement des câbles réseau .....	168
6.4	Raccordement du relais multifonction .....	170
6.4.1	Procédure à suivre pour le raccordement du relais multifonction .....	170
6.4.2	Modes de fonctionnement du relais multifonction.....	171
6.4.3	Variantes de raccordement.....	171
6.4.4	Raccordement au relais multifonction .....	174
6.5	Raccordement DC.....	176
6.5.1	Conditions préalables au raccordement DC .....	176
6.5.2	Assemblage des connecteurs DC.....	177

6.5.3	Raccordement du générateur photovoltaïque .....	178
<b>7</b>	<b>Mise en service .....</b>	<b>181</b>
7.1	Procédure à suivre pour la mise en service .....	181
7.2	Mise en service de l'onduleur .....	181
7.3	Établissement d'une liaison à l'interface utilisateur .....	183
7.3.1	Établissement d'une connexion directe par Ethernet.....	183
7.3.2	Établissement d'une connexion par réseau local sans fil.....	183
7.3.3	Établissement d'une connexion par Ethernet sur le réseau local.....	185
7.3.4	Établissement d'une connexion par WLAN sur le réseau local .....	186
7.4	Connexion à l'interface utilisateur.....	187
7.5	Sélection de l'option de configuration .....	188
7.6	Paramètres réglables .....	191
<b>8</b>	<b>Mise hors tension de l'onduleur .....</b>	<b>193</b>
<b>9</b>	<b>Mise hors service de l'onduleur .....</b>	<b>195</b>
<b>10</b>	<b>Caractéristiques techniques.....</b>	<b>198</b>
<b>11</b>	<b>Informations sur le respect des spécifications .....</b>	<b>204</b>
<b>12</b>	<b>Contact .....</b>	<b>205</b>

# 1 Remarques relatives à ce document

## 1.1 Champ d'application

Ce document est valable pour les :

- STP 33-US-41 (Sunny Tripower CORE1-US)
- STP 50-US-41 (Sunny Tripower CORE1-US)
- STP 62-US-41 (Sunny Tripower CORE1-US)

## 1.2 Groupe cible

Les opérations décrites dans le présent document doivent uniquement être réalisées par un personnel qualifié. Ce dernier doit posséder les qualifications suivantes :

- Connaissances relatives au mode de fonctionnement et à l'exploitation d'un onduleur
- Formation au comportement à adopter face aux dangers et risques encourus lors de l'installation, la réparation et la manipulation d'appareils et installations électriques
- Formation à l'installation et à la mise en service des appareils et installations électriques
- Connaissance des lois, normes et directives pertinentes
- Connaissance et respect du présent document avec toutes les consignes de sécurité

## 1.3 Contenu et structure du document

Ce document décrit l'installation, la mise en service et la mise hors service du produit.

Vous trouverez la version la plus récente de ce document ainsi que les instructions pour l'utilisation de l'interface utilisateur, la recherche d'erreurs et la configuration du produit au format PDF et au format électronique (eManual) sur [www.SMA-Solar.com](http://www.SMA-Solar.com). Vous trouverez le code QR contenant le lien vers l'eManual sur la page de titre de ce document. Vous trouverez également l'eManual utilisée sur l'interface utilisateur du produit.

Les illustrations du présent document sont réduites aux détails essentiels et peuvent différer du produit réel.

## 1.4 Niveaux de mise en garde

Les niveaux de mise en garde suivants peuvent apparaître en vue d'un bon maniement du produit.

### DANGER

Indique une mise en garde dont le non-respect entraîne des blessures corporelles graves, voire la mort.

### AVERTISSEMENT

Indique une mise en garde dont le non-respect peut entraîner des blessures corporelles graves, voire la mort.



**⚠ ATTENTION**

Indique une mise en garde dont le non-respect peut entraîner des blessures corporelles légères ou de moyenne gravité.

**PRUDENCE**

Indique une mise en garde dont le non-respect peut entraîner des dommages matériels.

## 1.5 Symboles utilisés dans le document

Symbole	Explication
	Information importante sur un thème ou un objectif précis, mais ne relevant pas de la sécurité
<input type="checkbox"/>	Condition qui doit être remplie pour atteindre un objectif précis
<input checked="" type="checkbox"/>	Résultat souhaité
<b>x</b>	Problème susceptible de survenir
	Exemple :

## 1.6 Formats utilisés dans le document

Format	Utilisation	Exemple :
<b>gras</b>	<ul style="list-style-type: none"> <li>• Messages</li> <li>• Raccordements</li> <li>• Éléments d'une interface utilisateur</li> <li>• Éléments devant être sélectionnés</li> <li>• Éléments devant être saisis</li> </ul>	<ul style="list-style-type: none"> <li>• Raccorder les conducteurs isolés aux bornes <b>X703:1</b> à <b>X703:6</b>.</li> <li>• Saisissez <b>10</b> dans le champ <b>Minutes</b>.</li> </ul>
<b>&gt;</b>	<ul style="list-style-type: none"> <li>• Associe plusieurs éléments que vous devez sélectionner</li> </ul>	<ul style="list-style-type: none"> <li>• Sélectionnez <b>Réglages &gt; Date</b>.</li> </ul>
<b>[Bouton]</b> <b>[Touche]</b>	<ul style="list-style-type: none"> <li>• Bouton ou touche que vous devez sélectionner ou actionner</li> </ul>	<ul style="list-style-type: none"> <li>• Sélectionnez <b>[Enter]</b>.</li> </ul>

## 1.7 Désignations utilisées dans le document

Désignation complète	Désignation dans ce document
Sunny Tripower CORE1-US	Onduleur, produit

## 1.8 Informations complémentaires

Pour obtenir des informations complémentaires, consulter [www.SMA-Solar.com](http://www.SMA-Solar.com).

Titre et contenu de l'information	Type d'information
Utilisation, configuration et recherche d'erreurs	Manuel d'utilisation (eManual)
« Formulaire de commande du code SMA Grid Guard »	Formulaire
« CYBERSÉCURITÉ PUBLIQUE - Directives pour une communication sûre avec les installations photovoltaïques »	Information technique
« Rendement et derating » Rendement et comportement en derating des onduleurs SMA	Information technique
« Grid Support Utility Interactive Inverters » Informations sur l'activation et la configuration des fonctions du soutien du réseau conformément à UL 1741 SA	Information technique
« Short-Circuit Currents » Informations concernant les courants de court-circuit des onduleurs photovoltaïques SMA	Information technique
« Paramètres et valeurs de mesure » Aperçu de tous les paramètres de fonctionnement de l'onduleur et leurs réglages possibles	Information technique
"« Interface SMA et SunSpec Modbus® » Informations sur l'interface Modbus	Information technique
« Paramètres et valeurs de mesure Modbus® » Registre HTML spécifique à l'appareil	Information technique
« Integrated Plant Control and Q on Demand 24/7 » Explication détaillée des fonctions et description du réglage des fonctions	Information technique
« Derating en température »	Information technique

## 2 Sécurité

### 2.1 Utilisation conforme

Le Sunny Tripower est un onduleur photovoltaïque sans transformateur avec 6 MPP trackers qui transforme le courant continu du générateur photovoltaïque en courant triphasé conforme au réseau et qui injecte ce dernier dans le réseau électrique public.

Le produit est adapté pour une utilisation en intérieur comme en extérieur.

Le produit ne doit être utilisé qu'avec des générateurs photovoltaïques (panneaux photovoltaïques et câblage) qui sont homologués conformément aux normes électriques en vigueur sur le lieu d'installation ainsi qu'au *National Electrical Code*® ANSI/NFPA 70 ou le *Canadian Electrical Code*® CSA C22.1.

#### **i** Pas de séparation galvanique

Le produit n'a pas de transformateur et ne dispose donc pas de séparation galvanique.

- N'utilisez pas de panneaux photovoltaïques mis à la terre avec le produit. Si des panneaux photovoltaïques mis à la terre sont raccordés au produit, un événement survient. Cet événement s'affiche sur l'interface utilisateur du produit, dans la liste des événements, accompagné du message correspondant.
- Mettez à la terre uniquement le cadre de montage des panneaux photovoltaïques.
- Le conducteur neutre de la sortie AC du produit est mis de série à la terre. Pour le raccordement à un réseau électrique public avec conducteur neutre, le pont situé entre le conducteur neutre de la sortie de courant alternatif et le boîtier doit être retiré.

Les panneaux photovoltaïques d'une grande capacité à la terre ne doivent être utilisés que si leur capacité de couplage ne dépasse pas 12,6  $\mu$ F.

La plage de fonctionnement autorisée et les exigences pour les installations de tous les composants doivent être respectées en toutes circonstances.

Le produit est homologué pour le marché américain.

Utilisez ce produit exclusivement en conformité avec la documentation fournie ainsi qu'avec les lois, dispositions, prescriptions, normes et directives en vigueur sur le site. Tout autre usage peut compromettre la sécurité des personnes ou entraîner des dommages matériels.

Les interventions sur le produit (modifications ou transformations, par exemple) ne sont autorisées qu'après accord écrit de SMA Solar Technology AG. Toute intervention non autorisée entraîne l'annulation de la garantie légale et commerciale et, en règle générale, le retrait de l'autorisation d'exploitation. SMA Solar Technology AG décline toute responsabilité en cas de dommages résultant d'une telle intervention.

Toute utilisation du produit différente de celle décrite dans l'utilisation conforme est considérée comme non conforme.

Les documents joints font partie intégrante du produit. Les documents doivent être lus, respectés, rester accessibles à tout moment et conservés dans un endroit sec.

Ce document ne remplace pas et n'a pas pour objet de remplacer les législations, prescriptions ou normes régionales, territoriales, provinciales, nationales ou fédérales ainsi que les dispositions et les normes s'appliquant à l'installation, à la sécurité électrique et à l'utilisation du produit. SMA Solar Technology AG décline toute responsabilité pour la conformité ou non-conformité à ces législations ou dispositions en relation avec l'installation du produit.

La plaque signalétique doit être apposée en permanence sur le produit.

## 2.2 Consignes de sécurité importantes

Conserver ces instructions

Ce chapitre contient les consignes de sécurité qui doivent être respectées lors de tous les travaux effectués sur et avec le produit.

Le produit a été conçu et testé conformément aux exigences de sécurité internationale. En dépit d'un assemblage réalisé avec le plus grand soin, comme pour tout appareil électrique/électronique, il existe des risques résiduels. Lisez ce chapitre attentivement et respectez en permanence toutes les consignes de sécurité pour éviter tout dommage corporel et matériel, et garantir un fonctionnement durable du produit.

### DANGER

#### **Danger de mort par choc électrique en cas de contact avec des conducteurs DC**

En cas d'ensoleillement, les panneaux photovoltaïques produisent des hautes tensions continues dans les câbles DC. Le contact avec des conducteurs DC sous tension entraîne des blessures graves, voire la mort par choc électrique.

- Mettez hors tension le produit et sécurisez-le avant toute intervention.
- Ne touchez pas aux composants conducteurs ou aux câbles dénudés.
- Ne déconnectez pas les connecteurs DC lorsqu'ils sont en charge.
- Portez toujours un équipement de protection individuelle adapté lors de toute intervention sur le produit.

### DANGER

#### **Danger de mort par choc électrique au contact avec un panneau photovoltaïque non mis à la terre ou avec le châssis d'un générateur non mis à la terre**

Le contact avec un panneau photovoltaïque non mis à la terre ou avec le châssis d'un générateur non mis à la terre peut entraîner la mort ou des blessures mortelles due à un choc électrique.

- Le cadre des panneaux photovoltaïques, le châssis du générateur et les surfaces conductrices d'électricité doivent être constamment reliés et mis à la terre. Dans ce cadre, veillez à respecter les dispositions applicables sur site.



**⚠ DANGER****Danger de mort par choc électrique au contact de parties de l'installation sous tension en cas de défaut à la terre**

En cas de défaut à la terre, des parties de l'installation peuvent être sous tension. Le contact avec des composants conducteurs ou des câbles peut entraîner la mort ou des blessures mortelles due à un choc électrique.

- Mettez hors tension le produit et sécurisez-le avant toute intervention.
- Touchez les câbles du générateur photovoltaïque uniquement au niveau de l'isolation.
- Ne touchez pas les éléments de la sous-construction et du châssis du générateur photovoltaïque.
- Ne raccordez pas de strings photovoltaïques avec un défaut à la terre à l'onduleur.
- Après la mise hors tension, attendez cinq minutes avant de toucher des parties de l'installation photovoltaïque ou du produit.

**⚠ DANGER****Danger de mort par choc électrique en cas de surtension en l'absence de protection contre les surtensions**

En l'absence de protection contre les surtensions, les surtensions (provoquées par exemple par un impact de foudre) peuvent se propager par les câbles réseau ou d'autres câbles de communication dans le bâtiment et dans les appareils raccordés au même réseau. Le contact avec des composants conducteurs ou des câbles peut entraîner la mort ou des blessures mortelles due à un choc électrique.

- Assurez-vous que tous les appareils appartenant au même réseau sont intégrés dans la protection contre les surtensions existante.
- Lors de la pose des câbles réseau à l'extérieur, assurez-vous qu'une protection contre les surtensions adéquate est présente au point de transition des câbles réseau entre le produit à l'extérieur et le réseau à l'intérieur du bâtiment.
- L'interface Ethernet de l'onduleur est classée « TNV-1 » et offre une protection contre les surtensions jusqu'à 1,5 kV.

**⚠ ATTENTION****Risque de brûlure dû au contact de composants chauds du boîtier**

Pendant l'exploitation, il se peut que le boîtier et le couvercle du boîtier s'échauffent. L'interrupteur-sectionneur DC ne peut pas s'échauffer.

- Ne touchez pas les composants brûlants.
- Avant de toucher le boîtier ou son couvercle, attendez que l'onduleur ait refroidi.

## ⚠ ATTENTION

### Risque d'incendie

- Pour réduire le risque d'incendie, l'appareil ne doit être raccordé qu'à un seul circuit électrique équipé d'un dispositif de protection contre les surintensités pour circuit de dérivation avec maximum 100 A selon le *National Electrical Code*® ANSI/NFPA 70 ou le *Canadian Electrical Code*® CSA C22.1.

## PRUDENCE

### Risque d'endommagement du joint du boîtier en raison du gel

Si vous ouvrez le produit quand il gèle, le joint pourra être endommagé. De l'humidité peut alors pénétrer dans le produit et l'endommager.

- N'ouvrez le produit que si la température ambiante n'est pas inférieure à -5 °C (23 °F).
- Si vous devez ouvrir le produit quand il gèle, éliminez tout d'abord la glace qui a pu s'accumuler sur le joint du boîtier (par exemple en la faisant fondre avec de l'air chaud). Respectez pour cela les consignes de sécurité correspondantes.

## PRUDENCE

### Endommagement du produit par pénétration de sable, de poussière et d'humidité

La pénétration de sable, de poussière et d'humidité dans le produit peut endommager celui-ci ou altérer son fonctionnement.

- N'ouvrez le produit que si l'humidité de l'air est comprise dans les limites indiquées et si l'environnement est exempt de sable et de poussière.
- N'ouvrez pas le produit en cas de tempête de sable ou de précipitations.
- Obturez hermétiquement toutes les ouvertures de boîtier.
- Pour fixer les tuyaux à câbles sur le produit, utilisez uniquement des manchons étanches à l'eau ou résistants à l'humidité listés.

## PRUDENCE

### Endommagement par des produits nettoyants

Dû à l'utilisation de produits nettoyants, le produit et des parties de celui-ci peuvent être endommagés.

- Nettoyez le produit et toutes les parties du produit uniquement avec un chiffon humidifié à l'eau claire.

## PRUDENCE

### Endommagement de l'onduleur par une décharge électrostatique

En touchant les composants électroniques, vous pouvez endommager, voire détruire l'onduleur par décharge électrostatique.

- Reliez-vous à la terre avant de toucher un composant.

**PRUDENCE****Destruction de l'appareil de mesure par surtension**

- Utilisez exclusivement des appareils de mesure avec une plage de tension d'entrée DC d'au moins 1000 V ou supérieure.

**i Installations électriques (pour l'Amérique du Nord)**

L'installation doit être réalisée conformément aux législations, dispositions, prescriptions et normes (par exemple *National Electrical Code*® ANSI/NFPA 70 ou *Canadian Electrical Code*® CSA-C22.1.) en vigueur sur place.

- Avant de réaliser le raccordement électrique du produit au réseau électrique public, adressez-vous à votre exploitant de réseau local. Le raccordement électrique du produit ne doit être effectué que par du personnel qualifié.
- Assurez-vous que les câbles ou conducteurs utilisés pour le raccordement électrique ne soient pas endommagés.

## 3 Contenu de la livraison

Vérifiez si la livraison est complète et ne présente pas de dommages apparents. En cas de livraison incomplète ou de dommages, contactez votre revendeur.

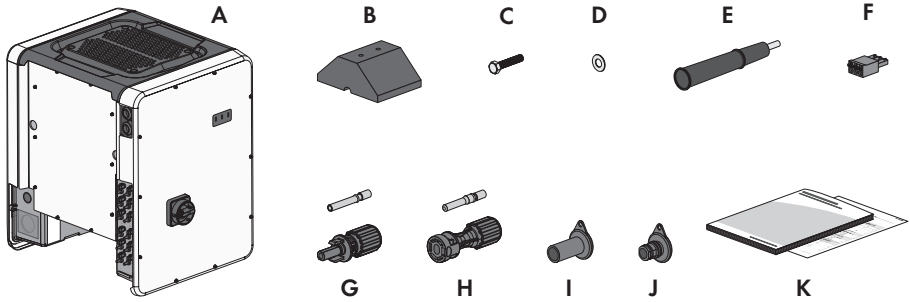


Figure 1 : Éléments du contenu de livraison

Position	Quantité	Désignation
A	1	Onduleur
B	4	Pied
C	8	Vis à six pans M8x40
D	8	Rondelle
E	4	Poignée
F	1	Plaque à bornes à 3 pôles pour le raccordement au relais multifonction
G	12	Connecteur DC négatif et douille de contact profilée à froid*
H	12	Connecteur DC positif et douille de contact profilée à froid*
I	12	Bouchon d'étanchéité pour les connecteurs DC négatifs
J	12	Bouchon d'étanchéité pour les connecteurs DC positifs
K	1	Instructions d'installation, Production Test Report

\* Type de connecteur : UTX d'Amphenol Industrial Solar Technologies

## 4 Vue d'ensemble des produits

### 4.1 Description du produit

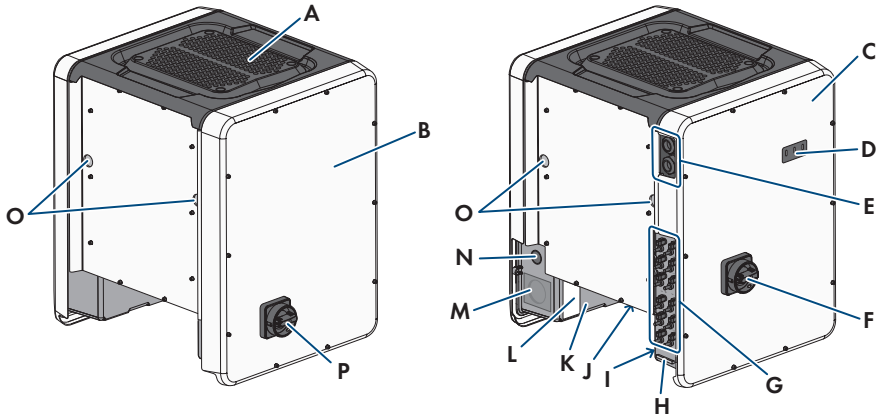











Figure 2 : Structure du produit

Position	Désignation
A	Couvercle
B	Connection Unit AC
C	Connection Unit DC
D	DEL Les DEL signalent l'état de fonctionnement de l'onduleur.
E	Presse-étoupes pour câble de communication
F	Interrupteur-sectionneur DC
G	Connecteurs DC
H	Barre de mise à la terre de l'équipement pour le conducteur de mise à la terre de l'équipement du générateur photovoltaïque
I	Autocollants d'avertissement sur le respect des spécifications
J	Support avec 3 ventilateurs

Position	Désignation
K	<p>Plaque signalétique</p> <p>La plaque signalétique permet d'identifier clairement le produit. La plaque signalétique doit être apposée en permanence sur le produit. Les informations suivantes figurent sur la plaque signalétique :</p> <ul style="list-style-type: none"> <li>• Type d'appareil (Model)</li> <li>• Numéro de série (Serial No. ou S/N)</li> <li>• Date de fabrication (Date of manufacture)</li> <li>• Caractéristiques spécifiques à l'appareil</li> </ul>
L	<p>Autocollant supplémentaire donnant des informations pour l'enregistrement sur le Sunny Portal et le mot de passe du réseau local sans fil :</p> <ul style="list-style-type: none"> <li>• Code d'identification (PIC) pour l'enregistrement sur le Sunny Portal</li> <li>• Code d'enregistrement (RID) pour l'enregistrement sur le Sunny Portal</li> <li>• Mot de passe du réseau local sans fil (WPA2-PSK) pour la liaison directe à l'interface utilisateur de l'onduleur via le réseau local sans fil</li> </ul>
M	Ouverture de boîtier pour le raccordement AC
N	Ouverture de boîtier pour conducteur supplémentaire
O	Ouverture de boîtier pour les poignées de transport
P	Interrupteur-sectionneur AC

## 4.2 Symboles sur le produit

Symbole	Explication
	<p>Avertissement de tension électrique dangereuse</p> <p>Le produit fonctionne avec des tensions élevées.</p>
	<p>Avertissement de surface brûlante</p> <p>Au cours du fonctionnement, le produit peut devenir brûlant.</p>
	<p>Respectez la documentation</p> <p>Suivez toutes les informations données dans les documentations fournies avec le produit.</p>
	<p>Respectez la documentation</p> <p>Le symbole et la DEL rouge indiquent une erreur.</p>

Symbole	Explication
	Onduleur Le symbole et la DEL verte indiquent l'état de fonctionnement de l'onduleur.
	Transmission de données Le symbole et la DEL bleue indiquent l'état de la connexion réseau.
	Borne de mise à la terre de l'équipement Ce symbole signale l'emplacement du raccordement d'un conducteur de mise à la terre de l'équipement.
	Mise à la terre Ce symbole signale l'emplacement du raccordement d'un conducteur supplémentaire de mise à la terre de l'équipement.
	UL 1741 et CSA C22.2 No. 107.1 sont les normes appliquées au produit par Underwriters Laboratories pour certifier que le produit remplit les exigences du <i>National Electrical Code</i> <sup>®</sup> , du <i>Canadian Electrical Code</i> <sup>®</sup> et de la norme IEEE 1547.

### 4.3 Interfaces et fonctionnalités

L'onduleur peut être fourni avec les interfaces et fonctions suivantes ou en être équipé ultérieurement :

#### Interface utilisateur pour la surveillance et la configuration

Le produit est équipé de série d'un serveur Web intégré qui met à disposition une interface utilisateur permettant de configurer et de surveiller le produit. L'interface utilisateur du produit est accessible dans le navigateur Web d'un terminal (ordinateur, tablette ou smartphone) connecté à un réseau.

#### SMA Speedwire

Le produit est équipé de série de la fonction SMA Speedwire. SMA Speedwire est un type de communication basé sur le standard Ethernet. SMA Speedwire est conçu pour un débit de transfert de données de 100 Mbit/s et permet une communication optimale entre les appareils Speedwire présents dans les installations.

#### SMA Webconnect

L'onduleur est équipé de série d'une fonction Webconnect. La fonction Webconnect permet la transmission directe des données entre l'onduleur et le portail Internet Sunny Portal sans recours à un produit de communication supplémentaire. Cette fonction est limitée à un maximum de 4 onduleurs par installation visualisée. Dans les installations photovoltaïques comprenant plus de 4 onduleurs, il est possible d'établir la transmission de données entre les onduleurs et le portail Internet Sunny Portal et Sunny Places par l'intermédiaire d'un enregistreur de données (par ex. SMA Data Manager) ou de répartir les onduleurs sur plusieurs installations. Votre installation est accessible directement dans le navigateur Web de votre terminal.

## Wi-Fi

Le produit est équipé de série d'une interface WLAN. L'interface Wi-Fi est activée par défaut à la livraison. Si vous ne souhaitez pas utiliser de réseau local sans fil, vous pouvez désactiver l'interface Wi-Fi.

Par ailleurs, le produit dispose d'une fonction WPS. La fonction WPS sert à connecter automatiquement le produit au réseau (par exemple par l'intermédiaire d'un routeur) et à établir une connexion directe entre le produit et un terminal.

### **i** Extension de la portée de l'émetteur radio sur le réseau local sans fil

Pour augmenter la portée de l'émetteur radio de l'onduleur sur le réseau local sans fil, vous pouvez installer dans l'onduleur l'accessoire Antenna Extension Kit disponible séparément.

## Modbus

Le produit est équipé d'une interface Modbus. L'interface Modbus est désactivée par défaut et doit être configurée en cas de besoin.

L'interface Modbus des produits SMA pris en charge est conçue pour un usage industriel, par des systèmes SCADA par exemple, et remplit les fonctions suivantes :

- Interrogation à distance des valeurs de mesure
- Réglage à distance des paramètres de fonctionnement
- Valeurs de consigne pour la commande d'installation

## Ports pour modules

L'onduleur est équipé de série de deux ports pour modules, qui se trouvent sur le groupe de communication et permettent de raccorder des modules supplémentaires (SMA Sensor Module, par exemple). Ces modules sont disponibles en accessoires. Le branchement de deux modules identiques n'est pas autorisé.

## SMA RS485 Module

Le montage du module SMA RS485 permet à l'onduleur de communiquer par câble avec des produits de communication SMA spéciaux (consultez les instructions du module SMA RS485 pour obtenir des informations sur le montage et le raccordement). Le module SMA RS485 peut être ajouté ultérieurement.

## Antenna Extension Kit

L'Antenna Extension Kit (kit d'extension d'antenne) permet d'étendre la portée de l'émetteur radio de l'onduleur dans le réseau local sans fil (informations concernant le montage et le raccordement : voir instructions de l'Antenna Extension Kit). L'Antenna Extension Kit peut être ajouté ultérieurement.

## SMA Sensor Module

Le SMA Sensor Module dispose de différentes interfaces pour le raccordement de différents types de capteurs (par exemple capteur de température, capteur de rayonnement, anémomètre ou compteur d'énergie). Le SMA Sensor Module transforme les signaux des capteurs raccordés et les transmet à l'onduleur. Le SMA Sensor Module peut être ajouté ultérieurement.



## Système de gestion du réseau

L'onduleur a été testé en conformité avec UL 1741 SA (07/09/2016) pour être conforme aux Source Requirements Documents (« document source ») des États disponibles à l'instant du test. Pour le raccordement de l'onduleur au réseau électrique public, aucuns dispositifs de surveillance du réseau sont nécessaires. Vous trouverez une description des fonctions testées et les instructions pour activer et configurer les fonctions dans les informations techniques « Grid Support Utility Interactive Inverters » dans [www.SMA-Solar.com](http://www.SMA-Solar.com).

## Système photovoltaïque à arrêt rapide

L'onduleur est répertorié en tant que système photovoltaïque à arrêt rapide (PV Rapid Shutdown Equipment) selon UL 1741.

Toutes les entrées DC et AC de ce produit répondent aux exigences photovoltaïques d'arrêt rapide pour câbles de raccordement surveillés extérieurs au générateur photovoltaïque.

Un système photovoltaïque à arrêt rapide (PV Rapid Shutdown System) se compose d'un onduleur photovoltaïque, des interrupteurs de module photovoltaïque et d'un déclencheur pour arrêt rapide.

**PRUDENCE** - La fonction à arrêt rapide de l'onduleur se déclenche lorsque l'onduleur est coupé de la tension du réseau AC, par exemple lors de l'ouverture du sectionneur principal de l'installation photovoltaïque. Le sectionneur AC doit être facilement accessible et clairement marqué comme « Rapid Shutdown Initiator » selon le National Electrical Code®. L'état du système à arrêt rapide est indiqué par la position Marche/Arrêt du sectionneur AC (interrupteur ouvert/fermé). La position arrêt (interrupteur ouvert) montre qu'un arrêt rapide a été initié.

Lorsque des interrupteurs de module photovoltaïque ont été installés et qu'ils sont conformes au signal de communication SunSpec pour systèmes à arrêt rapide, l'onduleur peut envoyer aux interrupteurs du module photovoltaïque un signal via ses conducteurs d'entrée DC pour obtenir l'autorisation de mise en service (« permission to operate »). Lorsqu'un arrêt rapide (Rapid Shutdown) a été déclenché, l'onduleur arrête la transmission du signal de communication SunSpec. Lorsque le signal de communication SunSpec n'est pas reçu, les interrupteurs du module photovoltaïque sont responsables de la limitation des tensions sur les conducteurs se trouvant à l'intérieur du générateur photovoltaïque, conformément au National Electrical Code®. Il est important, en cas d'arrêt rapide via le signal de communication SunSpec, que tous les panneaux photovoltaïques d'une string soient équipés d'interrupteurs de module photovoltaïque conformes au SunSpec. Dans le cas contraire, l'onduleur ne pourra pas reprendre le mode d'injection. Pour une décharge fiable des câbles de raccordement DC, il est nécessaire que la tension de veille des interrupteurs de module photovoltaïque utilisés pour une string soit < 30 V.

Le système à arrêt rapide peut également être équipé d'interrupteurs de module photovoltaïque qui se déclenchent lors d'une coupure de courant alternatif ou par d'autres moyens. En cas d'arrêt rapide (Rapid Shutdown), il est essentiel de s'assurer que le déclencheur non seulement arrête les panneaux photovoltaïques mais simultanément coupe l'onduleur de la tension du réseau. Les interrupteurs de module photovoltaïque doivent couper les panneaux photovoltaïques de l'onduleur au maximum dans les 15 secondes suivant le démarrage du arrêt rapide (Rapid Shutdown).

L'onduleur dispose de fonctions pour le soutien du réseau. En cas de panne de courant alternatif, l'onduleur reste dans le réseau électrique public pendant une durée définie (Ride Through) et attend le retour de la tension. Si la tension du réseau n'est pas rétablie dans la durée définie, l'onduleur se coupe du réseau électrique public et un arrêt rapide (Rapid Shutdown) se déclenche.

Par défaut, la fonction à arrêt rapide (Rapid Shutdown) est désactivée. La fonction à arrêt rapide (Rapid Shutdown) ne doit être activée que lorsque des interrupteurs de module photovoltaïque homologués sont installés dans les panneaux ou entre les panneaux photovoltaïques et l'onduleur. La fonction à arrêt rapide (Rapid Shutdown) peut être activée via l'interface utilisateur pendant ou après la mise en service de l'onduleur. Il suffit de sélectionner le mode de fonctionnement adapté aux interrupteurs de module photovoltaïque. Si la fonction à arrêt rapide (Rapid Shutdown) est activée mais qu'aucun interrupteur de module photovoltaïque n'a été installé, l'onduleur ne peut pas décharger le conducteur d'entrée DC en cas d'arrêt rapide. Dans ce cas, l'onduleur risque d'être endommagé.

AVERTISSEMENT - CET ÉQUIPEMENT À ARRÊT RAPIDE DE L'ÉNERGIE PHOTOVOLTAÏQUE NE DISPOSE PAS DE TOUTES LES FONCTIONS D'UN SYSTÈME COMPLET À ARRÊT RAPIDE. CET ÉQUIPEMENT PHOTOVOLTAÏQUE À ARRÊT RAPIDE DOIT ÊTRE ÉQUIPÉ D'AUTRES DISPOSITIFS AFIN DE CONSTITUER UN SYSTÈME COMPLET À ARRÊT RAPIDE SATISFAISANT AUX EXIGENCES NEC (NFPA 70) CONCERNANT LES CÂBLES DE RACCORDEMENT SURVEILLÉS À L'EXTÉRIEUR DU GÉNÉRATEUR PHOTOVOLTAÏQUE. L'INSTALLATION D'APPAREILS SUPPLÉMENTAIRES À L'INTÉRIEUR OU À L'EXTÉRIEUR DE L'INSTALLATION RISQUENT D'AVOIR UNE INFLUENCE NÉGATIVE SUR LE FONCTIONNEMENT DU SYSTÈME PHOTOVOLTAÏQUE À ARRÊT RAPIDE. L'INSTALLATEUR EST TENU DE RESPECTER LES EXIGENCES FONCTIONNELLES D'ARRÊT RAPIDE LORS DU MONTAGE DE L'INSTALLATION PHOTOVOLTAÏQUE. CES APPAREILS DOIVENT ÊTRE INSTALLÉS CONFORMÉMENT AUX INSTRUCTIONS D'INSTALLATION DU FABRICANT.

### Relais multifonction

L'onduleur est équipé en série d'un relais multifonction. Le relais multifonction est une interface qui peut être configurée pour un mode de fonctionnement spécifique à l'installation.

### Détection du dysfonctionnement des strings

Le système de détection du dysfonctionnement des strings mesure le courant total de chaque entrée et calcule en continu les valeurs moyennes pour chaque entrée. Les courants totaux sont comparés aux valeurs moyennes. Lorsqu'un courant total est supérieur ou inférieur de plus de la tolérance réglée à la valeur moyenne, cela est signalé. La moindre augmentation des courants totaux est ainsi détectée de manière fiable sur plusieurs intervalles d'interrogation, et elle est différenciée des variations de courant habituelles du générateur photovoltaïque. La détection de panne de strings est désactivée par défaut et doit être activée. De plus, il est possible de régler la tolérance et de lire les valeurs moyennes sur l'interface utilisateur.

### Parafoudre de type 2 et de type 1+2

L'onduleur est équipé de ports pour éléments de protection contre les surtensions de type 2 ou de type 1+2 du côté AC et du côté DC. Les éléments de protection contre les surtensions limitent les surtensions dangereuses. Les éléments de protection contre les surtensions peuvent être ajoutés ultérieurement.

## Disjoncteur de défaut d'arc (AFCI)

L'onduleur dispose d'un système pour la détection et l'interruption de l'arc électrique DC conformément aux prescriptions du *National Electrical Code*®. Le disjoncteur de défaut d'arc est répertorié selon UL 1699B Ed. 1. La détection d'un arc électrique provoque l'arrêt du mode d'injection de l'onduleur. Pour redémarrer le mode d'injection, il est nécessaire de le réactiver manuellement. Lorsque les conditions d'installation le permettent, vous pouvez désactiver le disjoncteur de défaut d'arc.

## SMA Smart Connected

SMA Smart Connected est le service gratuit de surveillance de l'onduleur via SMA Sunny Portal. SMA Smart Connected permet d'informer l'exploitant de l'installation et le personnel qualifié de manière automatique et proactive des événements survenus sur l'onduleur.

L'activation de SMA Smart Connected se fait durant l'enregistrement dans le Sunny Portal. Pour utiliser SMA Smart Connected, il est nécessaire que l'onduleur soit connecté en permanence avec le Sunny Portal et que les données de l'exploitant de l'installation et du personnel qualifié soient enregistrées dans Sunny Portal et soient actuelles.

## Système de montage universel (UMS\_Kit-10)

Le système de montage universel permet le montage mural de l'onduleur ou sert de plateforme pour un montage surélevé par rapport au sol. Le système de montage universel est disponible comme accessoire.

## 4.4 Signaux DEL

Les DEL signalent l'état de fonctionnement de l'onduleur.

Signal de DEL	Explication
La DEL verte clignote (allumée pendant 2 s et éteinte pendant 2 s)	Attente des conditions requises Les conditions du mode d'injection ne sont pas encore remplies. Lorsque les conditions du mode d'injection sont remplies, l'onduleur commence avec le mode d'injection.
La DEL verte clignote rapidement	Mise à jour de micrologiciel du processeur Le micrologiciel du processeur est en cours de mise à jour.
La DEL verte est allumée	Mode d'injection L'onduleur injecte du courant dans le réseau à une puissance supérieure à 90 %.
La DEL verte pulse	Mode d'injection L'onduleur est équipé d'un affichage dynamique de la puissance par l'intermédiaire de la DEL verte. La DEL verte pulse rapidement ou lentement en fonction de la puissance. En cas de besoin, vous pouvez désactiver l'affichage dynamique de la puissance par la DEL verte.
La DEL verte est éteinte	L'onduleur ne continue pas d'injecter dans le réseau électrique public.

Signal de DEL	Explication
La DEL rouge est allumée	Événement survenu Si un événement survient, un message d'événement concret accompagné du numéro d'événement correspondant s'affiche en plus sur l'interface utilisateur de l'onduleur ou dans le produit de communication.
La DEL bleue clignote lentement pendant 1 minute environ	Établissement de la liaison de communication en cours L'onduleur établit soit une liaison à un réseau local, soit une connexion Ethernet directe à un terminal (ordinateur, tablette ou smartphone, par exemple).
La DEL bleue clignote rapidement pendant 2 minutes environ	WPS activé La fonction WPS est activée.
La DEL bleue est allumée	Communication active Une connexion à un réseau local ou une connexion Ethernet directe à un terminal (ordinateur, tablette ou smartphone, par exemple) est active.

## 5 Montage

### 5.1 Conditions requises pour le montage

Exigences relatives au lieu de montage :

#### **⚠ AVERTISSEMENT**

##### **Danger de mort par incendie ou explosion**

En dépit d'un assemblage réalisé avec le plus grand soin, tout appareil électrique peut présenter un risque d'incendie.

- N'installez pas le produit à proximité de matériaux ou de gaz facilement inflammables.
  - N'installez pas le produit dans des zones présentant un risque d'explosion.
- Le lieu de montage doit être adapté au poids et aux dimensions du produit (voir chapitre 10 « Caractéristiques techniques », page 198).
  - Le lieu de montage peut être soumis à un rayonnement solaire direct. Il est également possible que le produit diminue sa puissance en raison de températures trop élevées afin d'éviter une surchauffe.
  - Le lieu de montage devrait toujours être sécurisé et accessible facilement, sans qu'il soit nécessaire de recourir à un équipement supplémentaire (par exemple à des échafaudages ou à des plates-formes élévatoires). Dans le cas contraire, les interventions SAV ne pourront être effectuées que de manière restreinte.
  - L'interrupteur-sectionneur DC du produit doit toujours être librement accessible.
  - Les conditions climatiques doivent être remplies (voir chapitre 10, page 198).

##### **Positions de montage autorisées et non autorisées :**

- Le produit doit être monté uniquement dans une position autorisée. Cela permet d'éviter que de l'humidité pénètre dans le produit.
- Le produit doit être monté de façon à ce que vous puissiez lire sans problème les signaux des DEL.

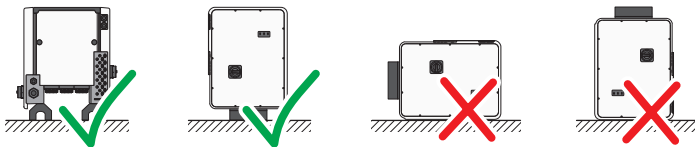


Figure 3 : Positions de montage autorisées et non autorisées

Cotes de montage :

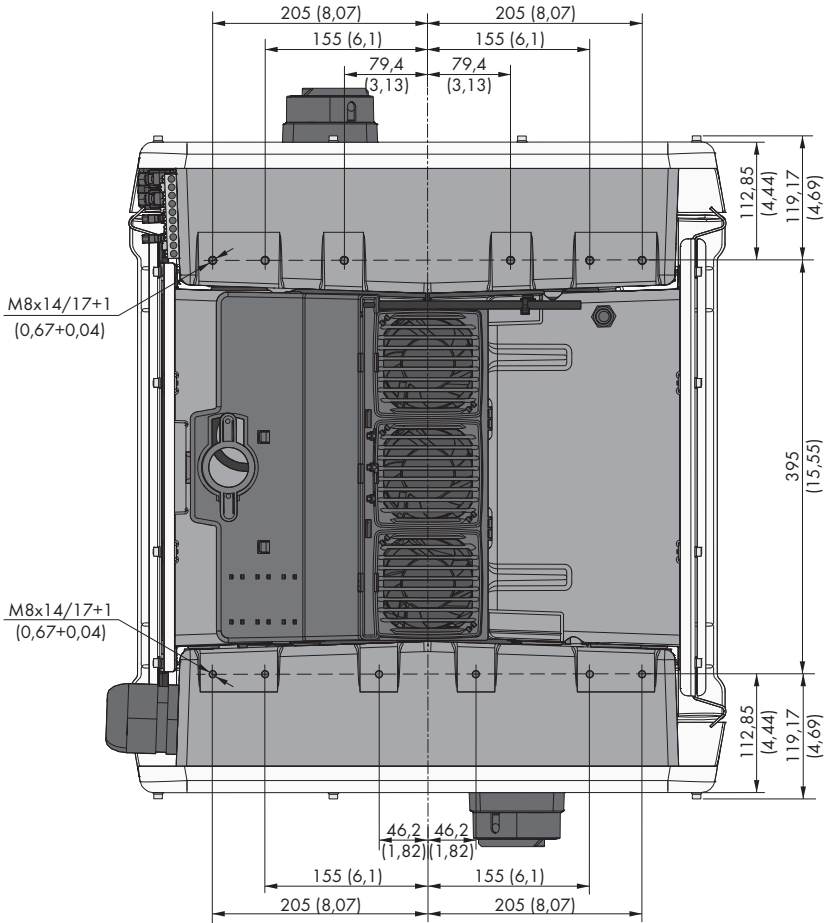


Figure 4 : Position des points de fixation (Dimensions en mm (in))

FRANÇAIS

**Stabilité :**

- Afin d'assurer la stabilité en cas de montage sur pieds ou de montage sur glissière profilée, la largeur d'un pied ou de la glissière profilée doit être d'au moins 175 mm (7 in).
- L'onduleur doit être fixé en respectant les conditions suivantes :
  - Inclinaison du terrain :  $> 3^\circ$
  - Vitesse du vent (sans rafales) :  $> 25 \text{ m/s}$  (82 ft/s)
  - Hauteur des pieds ou de la glissière profilée :  $> 100 \text{ mm}$  (4 in)
- En cas de montage sur une glissière profilée, une fixation ou un lest est indispensable. En cas de montage sur profilé, SMA Solar Technology AG recommande, par exemple, de visser le profilé sur le bâti du panneau ou de fixer une tôle sur le profilé, qui peut être lestée avec des pierres ou des sacs de sable. Cela permet de garantir que l'onduleur reste en place.

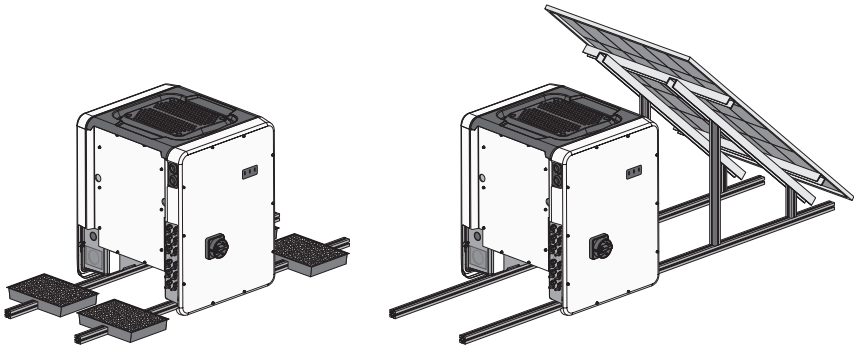


Figure 5 : Fixation de l'onduleur (exemples)

**Distances recommandées :**

Afin de garantir un fonctionnement optimal et une dissipation adéquate de la chaleur, les exigences suivantes relatives aux distances devraient être respectées. Vous éviterez ainsi que l'onduleur ne perde de sa puissance en raison d'une température trop élevée. Des distances plus courtes sont permises sans aucun risque.

**i** Distances prescrites par le **National Electrical Code®** ou le **Canadian Electrical Code® CSA C22.1**

Dans certains cas, le *National Electrical Code®* ou le *Canadian Electrical Code®* CSA C22.1 prescrivent des distances supérieures.

- Assurez-vous que les distances prescrites dans le *National Electrical Code®* ou le *Canadian Electrical Code®* CSA C22.1 sont respectées
- Vous devez respecter les distances recommandées par rapport aux bordures de toit, aux lucarnes, aux murs, aux autres onduleurs et autres objets. Il est de cette façon assuré que les interrupteurs-sectionneurs de l'onduleur peuvent être actionnés sans problème et que les signaux DEL peuvent être également lus sans problème.
- En vue des interventions SAV éventuelles, SMA Solar Technology AG recommande de laisser des 4 côtés du boîtier de l'appareil un espace suffisant entre l'onduleur et les murs, autres onduleurs ou objets. Dans le cas contraire, les interventions SAV ne pourront être effectuées que de manière restreinte.
- Si plusieurs onduleurs sont montés dans une zone soumise à des températures ambiantes élevées, les distances entre les onduleurs doivent être augmentées et un apport suffisant d'air frais doit être assuré.

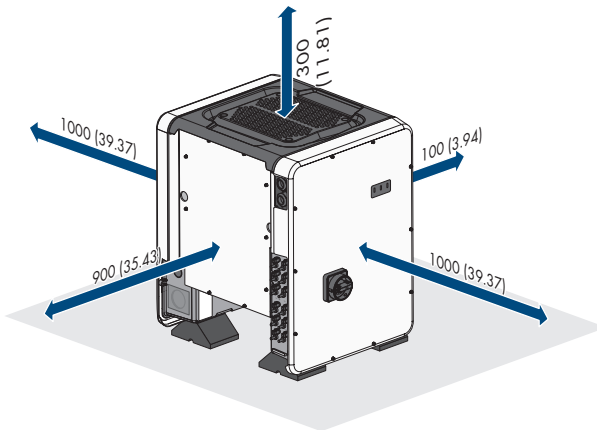


Figure 6 : Distances recommandées (Dimensions en mm (in))



## 5.2 Montage de l'onduleur

### ⚠ ATTENTION

#### Risque de blessure lié au poids de l'onduleur

Il existe un risque de blessure en cas de soulèvement incorrect et de chute de l'onduleur lors du transport et du montage.

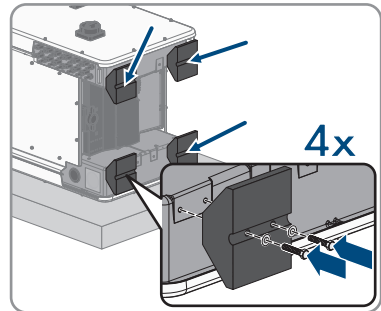
- L'onduleur doit être transporté et levé à la verticale par plusieurs personnes. Tenir compte du poids de l'onduleur et le saisir par les poignées de transport. Prenez toujours les deux poignées, de chaque côté.
- Transportez le produit à l'aide des poignées ou des accessoires de levage. Prenez en compte le poids du produit.
- Ne pas utiliser les poignées de transport pour fixer les accessoires de levage (comme les sangles, cordes ou chaînes). Pour fixer les accessoires de levage, il est nécessaire de visser les vis à œillet dans les filetages situés sur la partie supérieure du produit.
- Pour un transport effectué au moyen des poignées, utilisez toujours toutes les poignées de transport livrées.
- Tenez compte du centre de gravité de l'onduleur. Le centre de gravité se trouve du côté de la Connection Unit AC.

#### Matériel supplémentaire nécessaire (non compris dans le contenu de livraison) :

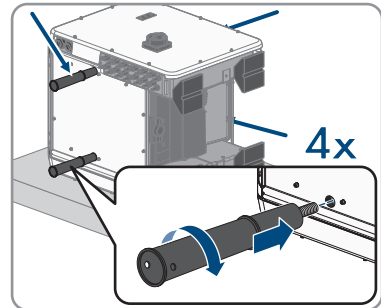
- Pour le transport avec des accessoires de levage : 4 vis à œillet (M8)

#### Procédure :

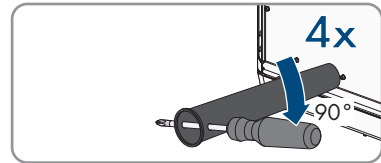
1. Fixez chaque pied avec deux vis à tête hexagonale M8x40 et deux rondelles dans les deux trous filetés extérieurs (M8x14) sur la face inférieure de l'onduleur (couple de serrage : 16 Nm (142 in-lb)). Pour ce faire, dégagez une partie de l'emballage en le poussant vers le bas ou en le coupant. Les trous filetés se trouvant en dessous de l'onduleur doivent être dégagés.



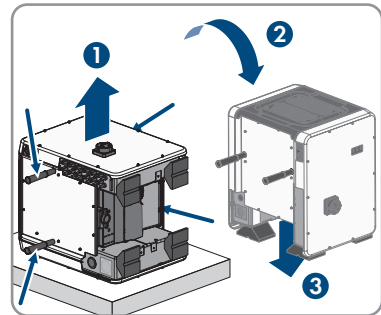
2. Vissez les poignées de transport jusqu'à la butée dans les trous filetés sur les côtés gauche et droit jusqu'à ce qu'elles soient parfaitement en contact avec le boîtier. Veillez ce faisant à ne pas visser les poignées de transport de biais dans les trous filetés. Si les poignées de transport sont vissées de biais, il sera difficile voire impossible de les dévisser par la suite. De plus, les trous filetés seront endommagés, ce qui empêchera de monter une nouvelle fois les poignées de transport.



3. Insérez un tournevis dans les trous de la poignée de transport et tournez-le à 90°. Cela permet de s'assurer que les poignées de transport sont bien serrées.



4. Retirez l'onduleur de la palette et positionnez-le sur le lieu de montage.



5. Si l'onduleur doit être positionné sur le lieu de montage à l'aide d'accessoires de levage, vissez les vis à œillet dans les filetages situés sur la partie supérieure de l'onduleur et fixez-y les accessoires de levage. Il est important que les accessoires de levage soient adaptés au poids de l'onduleur.
6. Assurez-vous que l'onduleur est bien fixé.
7. Dévissez les quatre poignées de transport des trous filetés. Au besoin, insérez un tournevis dans les trous des poignées de transport pour les dévisser.

## 6 Raccordement électrique

### 6.1 Aperçu de la zone de raccordement

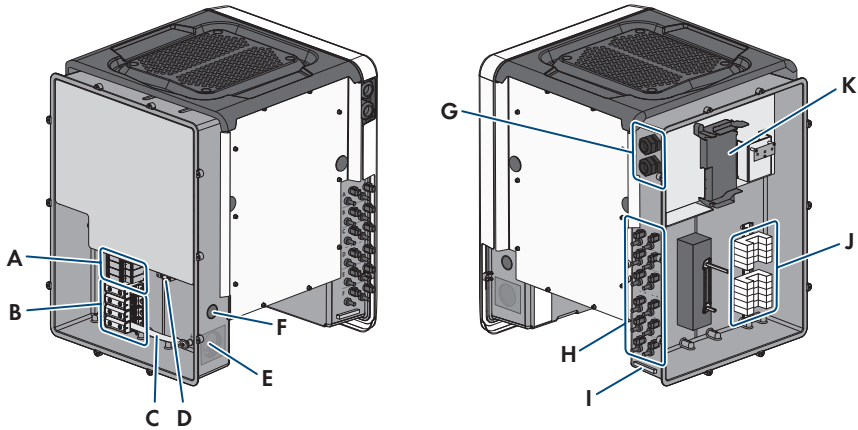


Figure 7 : Zones de raccordement de la Connection Unit AC et de la Connection Unit DC de l'onduleur

Position	Désignation
A	Ports pour éléments de protection contre les surtensions AC
B	Plaques à bornes pour le raccordement AC
C	Pont entre N et boîtier
D	Borne de mise à la terre de l'équipement pour le conducteur de mise à la terre de l'équipement du réseau électrique public
E	Ouverture de boîtier pour le raccordement AC (pour tuyaux à câbles de taille commerciale de 50,8 mm (2 in))
F	Ouverture de boîtier pour le raccordement d'un conducteur supplémentaire (pour des tuyaux à câbles de taille commerciale de 27 mm (1 in))
G	Presse-étoupes pour les câbles réseau et, si nécessaire, pour les câbles de raccordement de l'Antenna Extension Kit ou pour d'autres câbles de communication
H	Connecteurs positifs et négatifs pour le raccordement DC
I	Borne de mise à la terre de l'équipement pour les conducteurs de mise à la terre de l'équipement du générateur photovoltaïque
J	Ports pour éléments de protection contre les surtensions DC
K	Groupe de communication

## 6.2 Raccordement AC

### 6.2.1 Conditions préalables au raccordement AC

**Matériel supplémentaire nécessaire (non compris dans le contenu de livraison) :**

- Tuyau à câbles (taille commerciale : 50,8 mm (2 in) ou de dimensions inférieures avec raccords de réduction appropriés)
- Manchon étanche à l'eau ou résistant à l'humidité (taille commerciale : 50,8 mm (2 in) ou de dimensions inférieures avec raccords de réduction appropriés)

**Exigences relatives aux conducteurs AC :**

- La température maximale autorisée de la plaque à bornes pour le raccordement AC de +90 °C (+194 °F) doit être respectée.
- Les conducteurs doivent être dimensionnés en tenant compte de la capacité de charge du courant, des températures assignées, des conditions d'utilisation et des pertes au niveau du câble requises par les normes en vigueur sur le site et selon le *National Electrical Code*<sup>®</sup> ANSI/NFPA 70 ou le *Canadian Electrical Code*<sup>®</sup> CSA C22.1.
- Les conducteurs doivent être en fil métallique plein, en tresse ou en tresse fine. En cas d'utilisation de tresse fine, des embouts de câblage doivent être utilisés.
- Section de conducteur : 25 mm<sup>2</sup> à 95 mm<sup>2</sup> (4 AWG à 4/0 AWG)
- Type de conducteur : fil d'aluminium et de cuivre
- Température maximale autorisée : +90 °C (+194 °F)

### Aperçu de la longueur nécessaire des conducteurs dans la Connection Unit AC

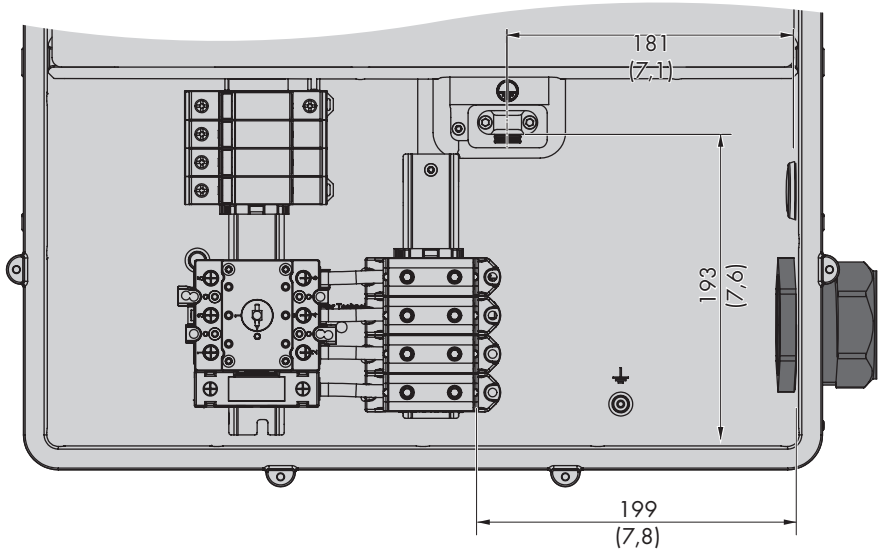


Figure 8 : Vue de l'intérieur de la Connection Unit AC avec dimensions pour les conducteurs (dimensions en mm (in))

#### Interrupteur et disjoncteur :

- Pour les installations avec plusieurs onduleurs, chaque onduleur doit être sécurisé par son propre dispositif de protection contre les surintensités. Respectez l'ampérage maximal autorisé (voir chapitre 10 « Caractéristiques techniques », page 198). Vous empêcherez ainsi l'accumulation de tension résiduelle sur le conducteur concerné après une déconnexion.
- L'interrupteur-sectionneur ou le disjoncteur miniature doit être répertorié (voir *National Electrical Code*® ANSI/NFPA 70 ou *Canadian Electrical Code*® CSA C22.1).
- Les charges installées entre l'onduleur et le dispositif de protection contre les surintensités doivent être sécurisées séparément.
- Le dispositif de protection contre les surintensités pour le circuit électrique AC doit être acheté auprès d'autres fournisseurs.
- L'onduleur est équipé d'un interrupteur AC selon UL 508 qui peut être utilisé comme interrupteur de service.

#### Schéma de liaison à la terre compatible :

- L'onduleur est conçu pour le raccordement à un réseau électrique public avec une connexion étoile de 277/480 V .

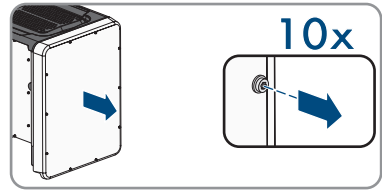
## 6.2.2 Raccordement de l'onduleur au réseau électrique public

### Conditions requises :

- Toutes les installations électriques doivent être réalisées conformément aux normes électriques en vigueur sur le site et au *National Electrical Code*® ANSI/NFPA 70 ou au *Canadian Electrical Code*® CSA C22.1.
- Les circuits électriques AC et DC sont isolés du boîtier. L'installateur est responsable de la mise à la terre de l'installation, si celle-ci est exigée par le *National Electrical Code*® ANSI/NFPA 70 ou *Canadian Electrical Code*® CSA C22.1.
- Les conditions de raccordement de l'exploitant du réseau doivent être respectées.
- La tension du réseau doit se trouver dans la plage autorisée. La plage de travail exacte de l'onduleur est définie dans les paramètres de fonctionnement.

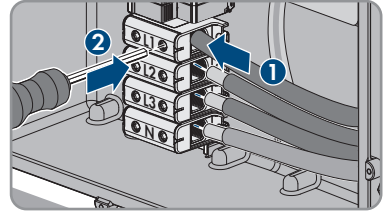
### Procédure :

1. Coupez le disjoncteur miniature des trois phases et sécurisez-le contre toute remise en marche involontaire.
2. Assurez-vous que l'interrupteur-sectionneur AC et l'interrupteur-sectionneur DC sont en position **O** et qu'ils ne peuvent pas se réenclencher.
3. Lorsque le couvercle du boîtier de la Connection Unit AC est monté, dévissez les 10 vis du couvercle du boîtier (TX 25) et retirez le couvercle du boîtier en le tirant vers l'avant.



4. Retirez la bande adhésive de l'ouverture du boîtier pour le raccordement AC.
5. Placez le manchon dans l'ouverture et serrez-le de l'intérieur avec le contre-écrou.
6. Fixez le tuyau à câbles au manchon.
7. Faites passer les conducteurs dans la Connection Unit AC à travers le tuyau à câbles.
8. Raccordez le conducteur de mise à la terre de l'équipement du réseau électrique public à la borne de mise à la terre de l'équipement :
  - Dénudez le conducteur de mise à la terre de l'équipement sur 27 mm (1,06 in).
  - Desserrez légèrement l'une des deux vis fixant le collier et la plaque de raccordement à la mise à la terre de l'équipement, puis dévissez complètement l'autre vis (TX25).
  - Positionnez le conducteur de mise à la terre de l'équipement sur la plaque de raccordement, faites passer le collier par-dessus le conducteur de mise à la terre de l'équipement, puis serrez les deux vis (TX 25, couple de serrage : 6 Nm (53 in-lb)).
  - Assurez-vous que le conducteur repose sur la plaque de raccordement.
9. Dénudez les conducteurs L1, L2, L3 et le cas échéant le conducteur N respectivement sur 27 mm (1,06 in).
10. En cas d'utilisation d'une tresse fine, placez un embout de câblage sur les conducteurs L1, L2, L3 et le cas échéant N.

11. Selon le schéma de liaison à la terre, raccordez les conducteurs L1, L2, L3 et le cas échéant N aux bornes conformément au marquage. Pour cela, faites passer chaque conducteur dans la borne ronde correspondante jusqu'en butée puis serrez les vis des bornes (TX30, longueur : 50 mm (2 in), couple de serrage : 14 Nm (126 in-lb)).



12.

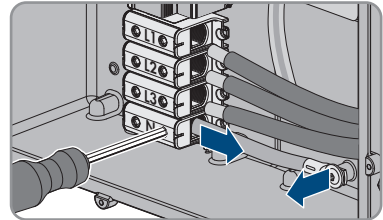
### ⚠ AVERTISSEMENT

#### **Danger de mort par choc électrique dû au pont présent entre N et le boîtier lors du raccordement au réseau électrique public avec un conducteur neutre**

L'onduleur est livré de série avec un pont entre le conducteur N et le boîtier. Le pont est impérativement requis pour le raccordement à un réseau électrique public sans conducteur neutre.

- Pour le raccordement à un réseau électrique public avec conducteur neutre, il est impératif de retirer le pont comme décrit à l'étape suivante.

13. S'il y a un conducteur N raccordé à la borne correspondante, retirez le pont installé par défaut entre N et le boîtier (⚡). Pour ce faire, dévissez la vis de la borne **N** et la vis de la mise à la terre (⚡), puis retirez le pont de l'onduleur (TX30, longueur : 50 mm (2 in)).



14. Assurez-vous que toutes les bornes sont occupées par les bons conducteurs.  
15. Assurez-vous que tous les conducteurs sont bien serrés.

## 6.3 Raccordement des câbles réseau

### DANGER

#### **Danger de mort par choc électrique en cas de surtension en l'absence de protection contre les surtensions**

En l'absence de protection contre les surtensions, les surtensions (provoquées par exemple par un impact de foudre) peuvent se propager par les câbles réseau ou d'autres câbles de communication dans le bâtiment et dans les appareils raccordés au même réseau. Le contact avec des composants conducteurs ou des câbles peut entraîner la mort ou des blessures mortelles due à un choc électrique.

- Assurez-vous que tous les appareils appartenant au même réseau sont intégrés dans la protection contre les surtensions existante.
- Lors de la pose des câbles réseau à l'extérieur, assurez-vous qu'une protection contre les surtensions adéquate est présente au point de transition des câbles réseau entre le produit à l'extérieur et le réseau à l'intérieur du bâtiment.
- L'interface Ethernet de l'onduleur est classée « TNV-1 » et offre une protection contre les surtensions jusqu'à 1,5 kV.

#### **Matériel supplémentaire nécessaire (non compris dans le contenu de livraison) :**

- Câbles réseau
- Si nécessaire : connecteurs RJ45 confectionnables sur le terrain

#### **Matériel supplémentaire nécessaire pour l'utilisation des tuyaux à câbles (non compris dans le contenu de livraison) :**

- Tuyau à câbles (taille commerciale : 27 mm (1 in) ou de dimensions inférieures avec raccords de réduction appropriés)
- Manchons étanches à l'eau ou résistants à l'humidité selon UL 514B (taille commerciale : 27 mm (1 in) ou de dimensions inférieures avec raccords de réduction appropriés)



**Exigences en matière de câbles :**

La longueur et la qualité du câble ont un impact sur la qualité du signal. Tenez compte des spécifications suivantes relatives aux câbles.

- Type de câble : 100BaseTx
- Catégorie de câble : Cat5, Cat5e ou plus élevé
- Type de fiche : RJ45 de Cat5, Cat5e, ou plus élevé
- Blindage : SF/UTP, S/UTP, SF/FTP ou S/FTP
- Nombre de paires de conducteurs et section : au moins  $2 \times 2 \times 0,22 \text{ mm}^2$  ( $2 \times 2 \times 24 \text{ AWG}$ )
- Longueur de câble maximale entre deux participants au réseau en cas d'utilisation de cordons patch : 50 m (164 ft)
- Longueur de câble maximale entre deux participants au réseau en cas d'utilisation de câbles d'installation : 100 m (328 ft)
- Résistant aux rayons UV en cas de pose en extérieur

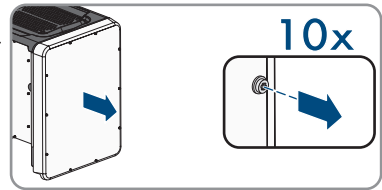
**Procédure :**

1.

**! DANGER****Danger de mort par choc électrique**

- Mettez l'onduleur hors tension (voir chapitre 8, page 193).

2. Si le couvercle du boîtier de la Connection Unit DC est fermé, démontez-le. Dévissez les 10 vis (TX25) et retirez le couvercle du boîtier en le tirant vers l'avant.



3. Mettez de côté les vis et le couvercle du boîtier et conservez-les en lieu sûr.

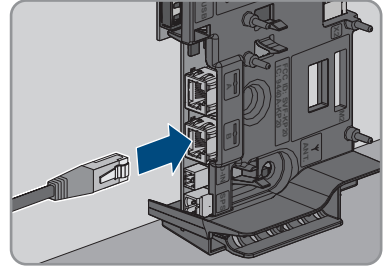
4. Si vous utilisez des tuyaux à câbles, exécutez la procédure suivante :

- Retirez les presse-étoupes M32 de l'ouverture du boîtier. Pour cela, dévissez le contre-écrou intérieur et retirez le presse-étoupe par l'ouverture du boîtier.
- Placez le manchon dans l'ouverture et serrez-le de l'intérieur avec le contre-écrou.
- Fixez le tuyau à câbles au manchon.
- Faites passer une extrémité du câble réseau dans l'onduleur par le tuyau à câbles.

5. Si vous utilisez des presse-étoupes, exécutez la procédure suivante :

- Dévissez l'écrou-raccord du presse-étoupe pour câble de communication.
- Faites passer l'écrou-raccord par le câble réseau.
- Retirez le manchon support de câble à deux orifices du presse-étoupe.
- Retirez le bouchon d'étanchéité de l'une des ouvertures du manchon support de câble à deux orifices et insérez le câble réseau dans l'ouverture.

- Placez le support de câble à deux orifices avec le câble dans le presse-étoupe puis insérez le câble réseau pour le raccordement au groupe de communication dans la Connection Unit DC. Assurez-vous ce faisant que l'ouverture non utilisée de boîtier du manchon support de câble à deux orifices est obturée à l'aide d'un bouchon d'étanchéité.
6. En cas d'utilisation de câbles réseau à confectionner soi-même, assemblez les connecteurs RJ45 et raccordez-les au câble réseau (voir la documentation des connecteurs).
  7. Enfichez le connecteur RJ45 du câble dans l'une des prises réseau du module de construction de la communication.



8. Tirez légèrement sur le câble pour vous assurer que le connecteur RJ45 est correctement fixé.
9. Si vous utilisez des presse-étoupes, serrez l'écrou-raccord de chaque presse-étoupe utilisé à la main. Le câble réseau est maintenant fixé.
10. Si l'onduleur est monté à l'extérieur, installez une protection contre les surtensions pour tous les composants du réseau.
11. Raccordez l'autre extrémité du câble réseau au réseau local (par exemple par l'intermédiaire d'un routeur).

## 6.4 Raccordement du relais multifonction

### 6.4.1 Procédure à suivre pour le raccordement du relais multifonction

Procédure	Voir
1. Sélectionnez le mode de fonctionnement pour lequel vous souhaitez utiliser le relais multifonction.	Chapitre 6.4.2, page 171
2. Raccordez le relais multifonction conformément au mode de fonctionnement et à la variante de raccordement correspondante.	Chapitre 6.4.3, page 171 et Chapitre 6.4.4, page 174
3. Après la mise en service de l'onduleur, modifiez le cas échéant le mode de fonctionnement du relais multifonction.	Manuel d'utilisation dans <a href="http://www.SMA-Solar.com">www.SMA-Solar.com</a>

## 6.4.2 Modes de fonctionnement du relais multifonction

Mode de fonctionnement du relais multifonction (Mlt.OpMode)	Description
<b>Message de dérangement (FltInd)</b>	Le relais multifonction commande un dispositif d'affichage (un voyant d'avertissement, par exemple) qui, en fonction du type de raccordement, signale la présence d'une erreur ou le fonctionnement normal de l'onduleur.
<b>Autoconsommation (SelfCsmP)</b>	Le relais multifonction allume et éteint les appareils consommateurs en fonction de la puissance produite par l'installation.
<b>Commande via la communication (ComCtl)</b>	Le relais multifonction allume et éteint les appareils consommateurs sur commande via un produit de communication.
<b>Banc de batteries (BatCha)</b>	Le relais multifonction commande le chargement de batteries en fonction de la puissance produite par l'installation.
<b>Commande de ventilateur (FanCtl)</b>	Le relais multifonction commande un ventilateur externe en fonction de la température de l'onduleur.
<b>État de commutation du relais de réseau (GriSwCpy)</b>	L'exploitant du réseau local peut demander qu'un signal lui soit transmis aussitôt qu'un onduleur se connecte au réseau électrique public. Le relais multifonction peut être utilisé pour déclencher ce signal.

## 6.4.3 Variantes de raccordement

En fonction du mode de fonctionnement que vous aurez choisi, vous devez procéder différemment pour le raccordement.

Mode de fonctionnement	Variante de raccordement
<b>Message de dérangement (FltInd)</b>	Utiliser le relais multifonction comme contact indicateur d'anomalie
<b>Autoconsommation (SelfCsmP)</b>	Commander des appareils consommateurs ou charger des batteries via le relais multifonction
<b>Commande via la communication (ComCtl)</b>	Commander des appareils consommateurs ou charger des batteries via le relais multifonction
<b>Banc de batteries (BatCha)</b>	Commander des appareils consommateurs ou charger des batteries via le relais multifonction
<b>Commande de ventilateur (FanCtl)</b>	Raccorder un ventilateur externe (voir la documentation du ventilateur)
<b>État de commutation du relais de réseau (GriSwCpy)</b>	Signaler l'état de commutation du relais de réseau

### Utiliser le relais multifonction comme contact indicateur d'anomalie

Vous pouvez utiliser le relais multifonction comme contact indicateur d'anomalie. Il affichera ou signalera tout dysfonctionnement ou le bon fonctionnement de l'onduleur au moyen d'un dispositif d'affichage approprié. En cas de besoin, vous pouvez raccorder plusieurs onduleurs à un indicateur d'anomalie ou de fonctionnement.

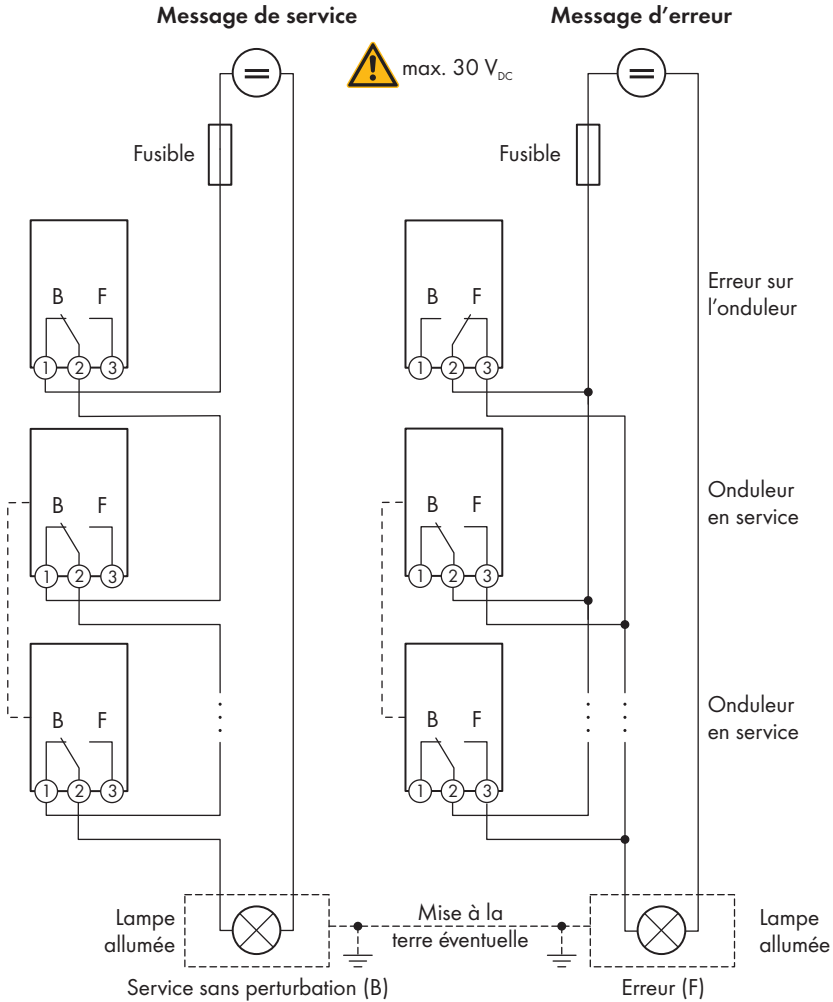


Figure 9 : Plan de raccordement avec plusieurs onduleurs en cas de raccordement d'un indicateur de fonctionnement et en cas de raccordement d'un indicateur d'anomalie (exemple)

## Commander des appareils consommateurs ou charger des batteries via le relais multifonction

Le relais multifonction peut commander des appareils consommateurs ou charger des batteries en fonction de la puissance disponible. Pour cela, vous devez raccorder un contacteur (K1) au relais multifonction. Le contacteur (K1) sert à allumer et éteindre le courant de service pour l'appareil consommateur. Si vous désirez charger des batteries en fonction de la puissance disponible, le contacteur vous permettra d'activer et de désactiver le chargement des batteries.

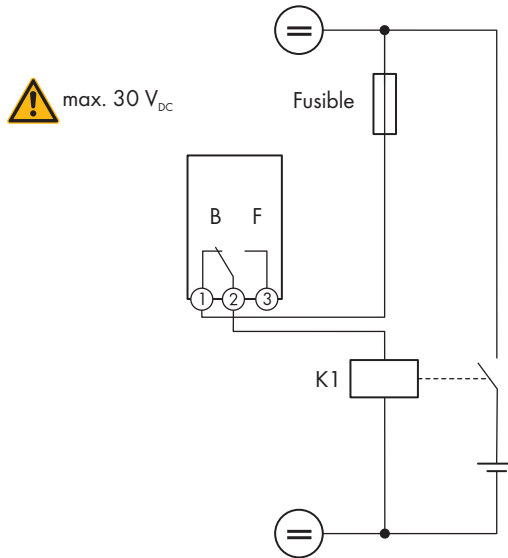


Figure 10 : Plan de raccordement en cas de raccordement pour la commande d'un appareil consommateur ou pour le chargement de batteries en fonction de la puissance disponible

## Signaler l'état de commutation du relais de réseau

Le relais multifonction peut envoyer un signal à l'exploitant du réseau aussitôt que l'onduleur se connecte au réseau électrique public. Vous devez pour ce faire connecter le relais multifonction à tous les onduleurs en parallèle.

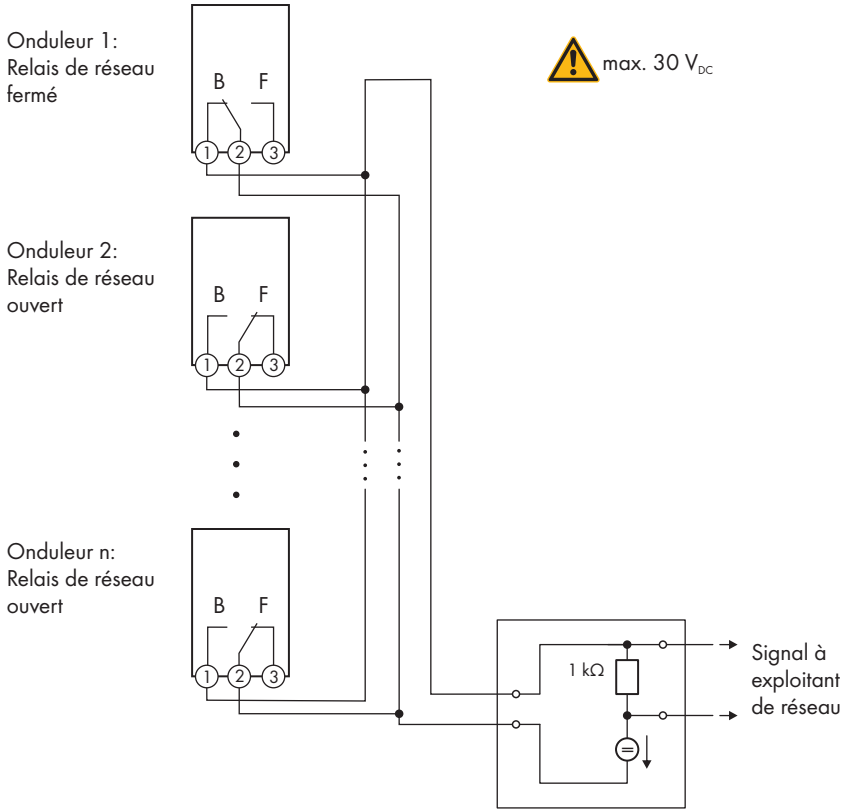


Figure 11 : Plan de raccordement pour le signalement de l'état de commutation du relais du réseau (exemple)

### 6.4.4 Raccordement au relais multifonction

**Matériel supplémentaire nécessaire pour l'utilisation des tuyaux à câbles (non compris dans le contenu de livraison) :**

- Tuyau à câbles (taille commerciale : 27 mm (1 in) ou de dimensions inférieures avec raccords de réduction appropriés)
- Manchons étanches à l'eau ou résistants à l'humidité selon UL 514B (taille commerciale : 27 mm (1 in) ou de dimensions inférieures avec raccords de réduction appropriés)

**Conditions requises :**

- Les exigences techniques relatives au relais multifonction doivent être satisfaites (voir chapitre 10 « Caractéristiques techniques », page 198).
- Toutes les installations électriques doivent être réalisées conformément aux normes électriques en vigueur sur le site et au *National Electrical Code*® ANSI/NFPA 70 ou au *Canadian Electrical Code*® CSA C22.1.

**Exigences relatives aux conducteurs :**

- Section de conducteur : 0,2 mm<sup>2</sup> à 1,5 mm<sup>2</sup> (24 AWG à 16 AWG)
- Le type de conducteur et la filerie doivent être adaptés à l'application et au lieu d'utilisation.

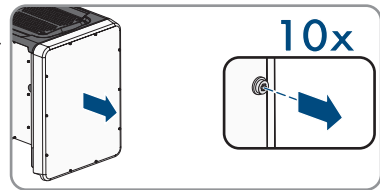
**Procédure :**

1.

**⚠ DANGER****Danger de mort dû à de hautes tensions**

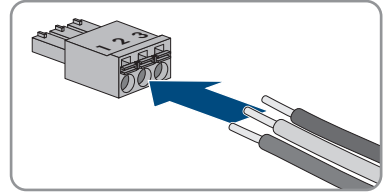
- Mettez l'onduleur hors tension (voir chapitre 8, page 193).

2. Si le couvercle du boîtier de la Connection Unit DC est fermé, démontez-le. Dévissez les 10 vis (TX25) et retirez le couvercle du boîtier en le tirant vers l'avant.



3. Mettez de côté les vis et le couvercle du boîtier et conservez-les en lieu sûr.
4. Si vous utilisez des tuyaux à câbles, exécutez la procédure suivante :
- Retirez les presse-étoupes M32 de l'ouverture du boîtier. Pour cela, dévissez le contre-écrou intérieur et retirez le presse-étoupe par l'ouverture du boîtier.
  - Placez le manchon dans l'ouverture et serrez-le de l'intérieur avec le contre-écrou.
  - Fixez le tuyau à câbles au manchon.
  - Faites passer les conducteurs dans l'onduleur par le tuyau à câbles.
5. Si vous utilisez des presse-étoupes, exécutez la procédure suivante :
- Dévissez l'écrou-raccord du presse-étoupe pour câble de communication.
  - Faites passer l'écrou-raccord par le câble réseau.
  - Retirez le manchon support de câble à deux orifices du presse-étoupe.
  - Retirez le bouchon d'étanchéité de l'une des ouvertures du manchon support de câble à deux orifices et insérez le conducteur dans l'ouverture de boîtier.
  - Placez le manchon support de câble à deux orifices avec les conducteurs dans le presse-étoupe puis insérez les conducteurs pour le raccordement au groupe de communication dans la Connection Unit DC. Assurez-vous ce faisant que l'ouverture non utilisée de boîtier du manchon support de câble à deux orifices est obturée à l'aide d'un bouchon d'étanchéité.
6. Dénudez les conducteurs sur 9 mm (0,35 in) maximum.

7. Raccordez les conducteurs à la plaque à bornes à 3 pôles conformément au plan de raccordement, en fonction du mode de fonctionnement (voir chapitre 6.4.3, page 171). Assurez-vous que les conducteurs sont enfichés jusqu'à l'isolement dans les points de serrage (orifice rond).



8. Branchez la plaque à bornes à 3 pôles avec les conducteurs branchés dans le port **MFR** sur le module de construction de la communication de l'onduleur.
9. Assurez-vous que la plaque à bornes est bien serrée.
10. Assurez-vous que tous les connecteurs sont correctement raccordés.
11. Si vous utilisez des presse-étoupes, serrez l'écrou-raccord de chaque presse-étoupe utilisé à la main. Les conducteurs sont ainsi fixés.
12. Assurez-vous que les conducteurs sont bien serrés dans les points de serrage. Conseil : pour retirer les conducteurs de la plaque à bornes, ouvrez les points de serrage à l'aide d'un outil approprié.

## 6.5 Raccordement DC

### 6.5.1 Conditions préalables au raccordement DC

#### Exigences relatives aux panneaux photovoltaïques par entrée :

- Tous les panneaux photovoltaïques doivent être du même type.
- Tous les panneaux photovoltaïques doivent être orientés dans la même direction et présenter la même inclinaison.
- Les tensions système maximales autorisées pour l'onduleur ne doivent pas être dépassées (voir chapitre 10 « Caractéristiques techniques », page 198).
- Le courant de court-circuit maximal ne doit pas être dépassé (voir chapitre 10 « Caractéristiques techniques », page 198).
- Les câbles de raccordement positifs des panneaux photovoltaïques doivent être équipés des connecteurs DC positifs (voir chapitre 6.5.2, page 177).
- Les câbles de raccordement négatifs des panneaux photovoltaïques doivent être équipés des connecteurs DC négatifs (voir chapitre 6.5.2, page 177).



**Matériel supplémentaire nécessaire (non compris dans le contenu de livraison) :****Exigences relatives aux conducteurs DC :**

- Les conducteurs doivent être dimensionnés en tenant compte de la capacité de charge du courant, des températures assignées, des conditions d'utilisation et des pertes au niveau du câble requises par les normes en vigueur sur le site et selon le *National Electrical Code*<sup>®</sup> ANSI/NFPA 70 ou le *Canadian Electrical Code*<sup>®</sup> CSA C22.1.
- Température maximale autorisée : +90 °C (+194 °F)
- Type de conducteur : fil de cuivre
- Les conducteurs doivent être en fil métallique plein, en tresse ou en tresse fine.
- Diamètre extérieur : 5,3 mm à 7,65 mm (0,21 in à 0,30 in)
- Section de conducteur : 4 mm<sup>2</sup> à 6 mm<sup>2</sup> (12 AWG à 10 AWG)

**Exigences posées au conducteur de mise à la terre de l'équipement du générateur photovoltaïque :**

- Les conducteurs doivent être en fil métallique plein, en tresse ou en tresse fine.
- Type de conducteur : fil d'aluminium et de cuivre
- Section de conducteur : 2,5 mm<sup>2</sup> à 25 mm<sup>2</sup> (14 AWG à 4 AWG)

**6.5.2 Assemblage des connecteurs DC**

Pour le raccordement à l'onduleur, tous les câbles de raccordement des panneaux photovoltaïques doivent être équipés des connecteurs DC fournis. Assemblez les connecteurs DC comme décrit ci-dessous (pour plus d'informations sur l'assemblage des connecteurs DC, voir les instructions du fabricant). Veillez à respecter la polarité.

**Matériel supplémentaire nécessaire (non compris dans le contenu de livraison) :**

- Outil de dénudage
- Pince à sertir adaptée au sertissage des douilles de contact profilées à froid (tenir compte des informations du fabricant).
- Outil de serrage des écrous-raccords (tenir compte des informations du fabricant).
- Le cas échéant, un outil pour vérifier si les conducteurs avec les douilles de contact sont suffisamment enfoncés dans le connecteur (tenir compte des informations du fabricant).

**Procédure :**

1. Dénudez le conducteur sur 7 mm ± 0,5 mm (0,28 in ± 0,02 in).
2. Faire passer la douille de contact profilée à froid sur le conducteur dénudé puis la sertir sur le conducteur à l'aide d'une pince à sertir.
3. Faire passer le conducteur avec la douille de contact profilée à froid dans le connecteur jusqu'à ce que la douille s'enclenche de manière audible.
4. S'assurer que le conducteur avec la douille de contact profilée à froid est suffisamment enfoncée dans le connecteur DC et qu'elle s'enclenche bien.
5. Serrez l'écrou-raccord du connecteur DC (couple de serrage : 3,5 Nm à 4 Nm (31 in-lb à 35 in-lb)).

### 6.5.3 Raccordement du générateur photovoltaïque

#### PRUDENCE

##### Détérioration de l'onduleur par défaut à la terre côté DC au cours du fonctionnement de l'onduleur

De par la topologie sans transformateur du produit, l'apparition de défauts à la terre côté DC durant le fonctionnement peut entraîner des détériorations irréparables. Les détériorations du produit dues à une installation DC erronée ou endommagée ne sont pas couvertes par la garantie. Le produit est doté d'un dispositif de protection, qui contrôle exclusivement durant l'opération de démarrage la présence d'un défaut à la terre. Le produit n'est pas protégé durant le fonctionnement.

- Veiller à ce que l'installation DC soit réalisée correctement et qu'aucun défaut à la terre ne survienne durant le fonctionnement.

#### PRUDENCE

##### Endommagement du connecteur DC dû à l'utilisation du spray nettoyant contacts ou d'autres produits nettoyants

Certains sprays nettoyants contacts ou d'autres produits nettoyants peuvent contenir des substances qui dissolvent le plastique dans les connecteurs DC.

- Ne traitez pas les connecteurs DC avec des sprays nettoyants contacts ou d'autres produits nettoyants.

#### PRUDENCE

##### Destruction de l'onduleur par surtension

Si la tension à vide des panneaux photovoltaïques dépasse la tension d'entrée maximale de l'onduleur, l'onduleur peut être détérioré par une surtension.

- Si la tension à vide des panneaux photovoltaïques dépasse la tension d'entrée maximale de l'onduleur, ne raccordez pas de strings à l'onduleur et contrôlez le dimensionnement de l'installation photovoltaïque.

#### PRUDENCE

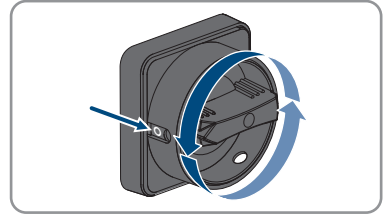
##### Destruction de l'appareil de mesure par surtension

- Utilisez exclusivement des appareils de mesure avec une plage de tension d'entrée DC d'au moins 1000 V ou supérieure.

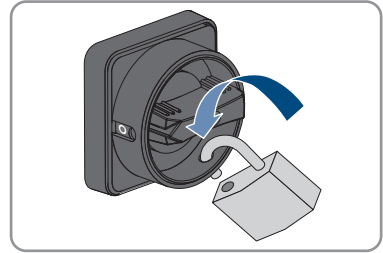
#### Procédure :

1. Assurez-vous que le disjoncteur miniature est coupé et sécurisé contre le réenclenchement.

2. Assurez-vous que l'interrupteur-sectionneur AC et l'interrupteur-sectionneur DC sont en position **O** et qu'ils ne peuvent pas se réenclencher.

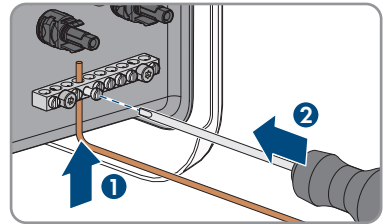


3. Sécurisez l'interrupteur-sectionneur DC à l'aide d'un cadenas.



4. Raccordez chaque conducteur de mise à la terre de l'équipement du générateur photovoltaïque à une borne de mise à la terre de l'équipement :

- Dénudez le conducteur de mise à la terre de l'équipement sur 10 mm (0,4 in).
- Insérer le conducteur de mise à la terre de l'équipement dans l'une des ouvertures de contact de la borne de mise à la terre de l'équipement et serrer la vis correspondante à l'aide d'un tournevis cruciforme (couple de serrage : 4 Nm (35 in-lb)).



5. Vérifiez si les connecteurs DC présentent la bonne polarité.

Si le connecteur DC est équipé d'un câble DC avec la mauvaise polarité, assemblez de nouveau le connecteur DC. Le câble DC doit toujours présenter la même polarité que le connecteur DC.

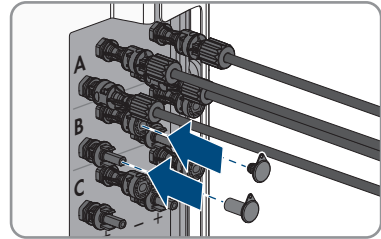
6. Assurez-vous que la tension à vide du générateur photovoltaïque ne dépasse pas la tension d'entrée maximale de l'onduleur et que le générateur photovoltaïque ne présente aucun défaut à la terre.
7. Raccordez les connecteurs DC assemblés à l'onduleur.
- Les connecteurs DC s'enclenchent de façon audible.
8. Assurez-vous que tous les connecteurs DC sont bien enfichés.

9.

**PRUDENCE****Endommagement du produit par pénétration de sable, de poussière et d'humidité dans le cas d'entrées DC non fermées**

L'étanchéité du produit est garantie uniquement lorsque toutes les entrées DC non utilisées sont fermées à l'aide de connecteurs DC et de bouchons d'étanchéité. La pénétration de sable, de poussière et d'humidité dans le produit peut endommager celui-ci ou altérer son fonctionnement.

- Bouchez toutes les entrées DC non utilisées à l'aide de bouchons d'étanchéité, comme décrit ci-après.
- Insérez les bouchons d'étanchéité dans les connecteurs DC non affectés de l'onduleur.



## 7 Mise en service

### 7.1 Procédure à suivre pour la mise en service

Ce chapitre décrit la procédure à suivre pour mettre l'onduleur en service et vous donne une vue d'ensemble des opérations que vous devrez effectuer en veillant toujours à respecter l'ordre indiqué.

Procédure	Voir
1. Mettez l'onduleur en service.	Chapitre 7.2, page 181
2. Connectez-vous à l'interface utilisateur de l'onduleur. Pour cela, vous avez le choix entre différentes options de connexion : <ul style="list-style-type: none"> <li>• Connexion directe par réseau local sans fil</li> <li>• Établissement d'une connexion par WLAN sans fil sur le réseau local</li> <li>• Connexion Ethernet sur le réseau local</li> </ul>	Chapitre 7.3, page 183
3. Identifiez-vous sur l'interface utilisateur.	Chapitre 7.4, page 187
4. Sélectionnez l'option pour la configuration de l'onduleur. Notez que pour modifier les paramètres relevant du réseau après les 10 premières heures d'injection ou après la fin de l'assistant d'installation, vous aurez besoin du code SMA Grid Guard (voir « Formulaire de commande du code SMA Grid Guard » sur <a href="http://www.SMA-Solar.com">www.SMA-Solar.com</a> ).	Chapitre 7.5, page 188
5. Réglez au besoin les paramètres de surveillance de la tension et de la fréquence.	Chapitre 7.6, page 191
6. Assurez-vous que le jeu de données régionales est correctement paramétré.	Manuel d'utilisation de l'onduleur
7. Procédez à d'autres réglages de l'onduleur si nécessaire.	Manuel d'utilisation de l'onduleur

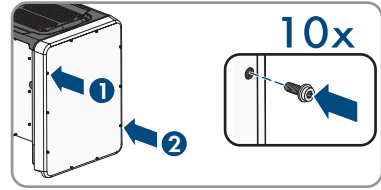
### 7.2 Mise en service de l'onduleur

#### Conditions requises :

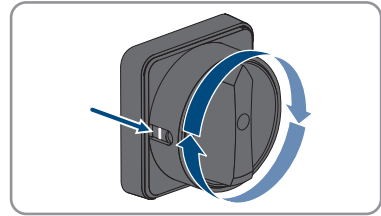
- Un dispositif de déconnexion de l'onduleur du générateur photovoltaïque doit être présent.
- Le disjoncteur miniature AC doit être correctement dimensionné et installé.
- L'onduleur doit être correctement monté.
- Tous les conducteurs doivent être correctement branchés.
- Les ouvertures de boîtier non utilisées doivent être obturées avec des bouchons d'étanchéité.

**Procédure :**

1. Placez le couvercle du boîtier de la Connection Unit AC sur la Connection Unit AC et vissez tout d'abord les vis en haut à gauche et en bas à droite, et ensuite les autres vis en croix (TX 25) (couple de serrage : 6 Nm (53 in-lb)).



2. Placez le couvercle du boîtier de la Connection Unit DC sur la Connection Unit DC et vissez tout d'abord les vis en haut à gauche et en bas à droite et ensuite les autres vis en croix (TX 25) (couple de serrage : 6 Nm (53 in-lb)).
3. Positionnez l'interrupteur-sectionneur DC de l'onduleur sur la position I. Pour cela, retirez tout d'abord le cadenas.



4. Positionnez l'interrupteur-sectionneur AC de l'onduleur sur la position I.
5. Activez le disjoncteur miniature AC.
  - Les 3 DEL s'allument. La phase de démarrage commence.
  - Au bout de 90 secondes, les 3 DEL s'éteignent à nouveau.
  - En fonction de la puissance disponible, la DEL verte clignote ou reste allumée. L'onduleur alimente le réseau.
6. Si la DEL verte clignote toujours, cela veut dire que les conditions de démarrage du mode d'injection ne sont pas encore remplies. Dès que les conditions pour le mode d'injection sont remplies, l'onduleur commence l'injection et la DEL verte s'allume durablement ou clignote en fonction de la puissance disponible.
7. Si la DEL rouge est allumée, cela signifie qu'un événement est survenu. Recherchez la nature de l'événement et prenez les mesures nécessaires.

## 7.3 Établissement d'une liaison à l'interface utilisateur

### 7.3.1 Établissement d'une connexion directe par Ethernet

#### Conditions requises :

- Le produit doit avoir été mis en service.
- Un terminal (un ordinateur par ex.) avec interface Ethernet est nécessaire.
- Le produit doit être directement raccordé au terminal.
- L'un des navigateurs Web suivants doit être installé dans sa version actuelle sur le terminal : Chrome, Edge, Firefox, Internet Explorer ou Safari.
- Pour modifier les paramètres importants pour le réseau une fois les 10 premières heures d'injection écoulées ou après exécution de l'assistant d'installation, le code SMA Grid Guard de l'installateur est nécessaire (voir « Formulaire de commande du code SMA Grid Guard » sur [www.SMA-Solar.com](http://www.SMA-Solar.com)).

#### **i** Adresse IP de l'onduleur

- Adresse IP par défaut de l'onduleur pour la connexion directe par Ethernet : 169.254.12.3

#### Procédure :

1. Ouvrez le navigateur Web de votre appareil, saisissez l'adresse IP **169.254.12.3** dans la barre d'adresse et appuyez sur la touche Entrée.
  2. **i** **Le navigateur Web signale une faille de sécurité**  
Une fois l'adresse IP confirmée avec la touche Entrée, il est possible qu'un message indiquant que la connexion à l'interface utilisateur de l'onduleur n'est pas sûre apparaisse. SMA Solar Technology AG garantit que l'ouverture de l'interface utilisateur est sûre.
    - Poursuivez le chargement de l'interface utilisateur.
- La page de connexion à l'interface utilisateur s'ouvre.

### 7.3.2 Établissement d'une connexion par réseau local sans fil

#### Conditions requises :

- Le produit doit avoir été mis en service.
- Un terminal (un ordinateur, une tablette ou un smartphone) est nécessaire.
- L'un des navigateurs Web suivants doit être installé dans sa version actuelle sur le terminal : Chrome, Edge, Firefox, Internet Explorer ou Safari.
- JavaScript doit être activé dans le navigateur Web du terminal.
- Pour modifier les paramètres importants pour le réseau une fois les 10 premières heures d'injection écoulées ou après exécution de l'assistant d'installation, le code SMA Grid Guard de l'installateur est nécessaire (voir « Formulaire de commande du code SMA Grid Guard » sur [www.SMA-Solar.com](http://www.SMA-Solar.com)).

### **i** SSID, adresse IP et mots de passe nécessaires

- SSID sur le réseau local sans fil : SMA[numéro de série] (exemple : SMA0123456789)
- Mot de passe du réseau local sans fil par défaut (utilisable jusqu'à la fin de la configuration à l'aide de l'assistant d'installation ou avant l'écoulement des 10 premières heures d'injection) : SMA12345
- Mot de passe Wi-Fi spécifique à l'appareil (utilisable après la configuration initiale et après que les 10 premières heures d'injection soient écoulées) : voir WPA2-PSK sur la plaque signalétique de l'onduleur ou au dos des instructions fournies
- Adresse IP par défaut pour la connexion directe par WLAN en dehors d'un réseau local : 192.168.12.3

### **i** L'importation et l'exportation de fichiers en cas de terminaux avec système d'exploitation iOS ne sont pas possibles

Pour des raisons techniques, il n'est pas possible d'importer et d'exporter des fichiers dans le cas de terminaux mobiles avec système d'exploitation iOS (importer une configuration d'onduleur, enregistrer la configuration actuelle de l'onduleur ou exporter des événements et des paramètres, par exemple).

- Pour l'importation et l'exportation de fichiers, utilisez un terminal sans système d'exploitation iOS.

La marche à suivre peut varier en fonction du terminal. Si la procédure décrite ne correspond pas à votre terminal, établissez une connexion directe via un réseau local sans fil en suivant les instructions figurant dans le mode d'emploi de votre terminal.

#### **Procédure :**

1. Si votre terminal dispose d'une fonction WPS :
  - Activez la fonction WPS sur l'onduleur. Pour cela, tapotez deux fois consécutivement à côté des DEL sur le couvercle du boîtier de la Connection Unit DC.
    - La DEL bleue clignote rapidement pendant env. 2 minutes. La fonction WPS est activée pendant ce temps.
  - Activez la fonction WPS sur votre terminal.
    - La liaison avec votre terminal est établie automatiquement. L'établissement de la liaison peut durer jusqu'à 20 secondes.
2. Si votre terminal ne dispose pas d'une fonction WPS :
  - Recherchez les réseaux Wi-Fi sur votre terminal.
  - Dans la liste des réseaux sans fil trouvés, sélectionnez le SSID de l'onduleur **SMA[numéro de série]**



- Saisissez le mot de passe Wi-Fi de l'onduleur. Au cours des 10 premières heures d'injection et avant la fin de la configuration à l'aide de l'assistant d'installation, vous devez utiliser le mot de passe du réseau local sans fil par défaut **SMA12345**. Après écoulement des 10 premières heures d'injection ou avant la fin de la configuration à l'aide de l'assistant d'installation, vous devez utiliser le mot de passe du réseau local sans fil spécifique (WPA2-PSK) à l'onduleur. Le mot de passe Wi-Fi (WPA2-PSK) figure sur la plaque signalétique.
3. Entrez l'adresse IP **192.168.12.3** ou, si votre appareil prend en charge les services mDNS, entrez **SMA[numéro de série].local** ou **https://SMA[numéro de série]** dans la barre d'adresse du navigateur Web et appuyez sur la touche Entrée.
  4. **i** **Le navigateur Web signale une faille de sécurité**  
 Une fois l'adresse IP confirmée avec la touche Entrée, il est possible qu'un message indiquant que la connexion à l'interface utilisateur de l'onduleur n'est pas sûre apparaisse. SMA Solar Technology AG garantit que l'ouverture de l'interface utilisateur est sûre.
    - Poursuivez le chargement de l'interface utilisateur. La page de connexion à l'interface utilisateur s'ouvre.

### 7.3.3 Établissement d'une connexion par Ethernet sur le réseau local

#### **i** Nouvelle adresse IP en cas de connexion avec un réseau local


Si le produit est relié à un réseau local (par exemple par l'intermédiaire d'un routeur), une nouvelle adresse IP est attribuée au produit. En fonction du type de configuration, la nouvelle adresse IP est attribuée soit automatiquement par le serveur DHCP (routeur), soit manuellement par vous-même. Une fois la configuration achevée, le produit n'est plus accessible que par l'intermédiaire des adresses d'accès suivantes :

- Adresse d'accès générale : adresse IP attribuée manuellement ou par le serveur DHCP (routeur). Pour connaître l'adresse, voir logiciel d'analyse du réseau ou configuration du réseau du routeur.
- Adresse d'accès pour les systèmes Apple et Linux : SMA[numéro de série].local (par exemple SMA0123456789.local).
- Adresse d'accès pour les systèmes Windows et Android : https://SMA[numéro de série] (par exemple https://SMA0123456789.local).

**Conditions requises :**

- Le produit doit être relié au réseau local par un câble réseau (par exemple par l'intermédiaire d'un routeur).
- Le produit doit être intégré dans le réseau local. Conseil : vous avez différentes possibilités pour intégrer le produit dans le réseau local à l'aide de l'assistant d'installation.
- Un terminal (un ordinateur, une tablette ou un smartphone) est nécessaire.
- Le terminal doit se trouver dans le même réseau local que celui du produit.
- L'un des navigateurs Web suivants doit être installé dans sa version actuelle sur le terminal : Chrome, Edge, Firefox, Internet Explorer ou Safari.
- Pour modifier les paramètres importants pour le réseau une fois les 10 premières heures d'injection écoulées ou après exécution de l'assistant d'installation, le code SMA Grid Guard de l'installateur est nécessaire (voir « Formulaire de commande du code SMA Grid Guard » sur [www.SMA-Solar.com](http://www.SMA-Solar.com)).

**Procédure :**

1. Ouvrez le navigateur Web de votre terminal, entrez l'adresse IP de l'onduleur dans la barre d'adresse du navigateur Web et appuyez sur la touche Entrée.
  2.  **Le navigateur Web signale une faille de sécurité**  
Une fois l'adresse IP confirmée avec la touche Entrée, il est possible qu'un message indiquant que la connexion à l'interface utilisateur de l'onduleur n'est pas sûre apparaisse. SMA Solar Technology AG garantit que l'ouverture de l'interface utilisateur est sûre.
    - Poursuivez le chargement de l'interface utilisateur.
- La page de connexion à l'interface utilisateur s'ouvre.

**7.3.4 Établissement d'une connexion par WLAN sur le réseau local**** Nouvelle adresse IP en cas de connexion avec un réseau local**

Si le produit est relié à un réseau local (par exemple par l'intermédiaire d'un routeur), une nouvelle adresse IP est attribuée au produit. En fonction du type de configuration, la nouvelle adresse IP est attribuée soit automatiquement par le serveur DHCP (routeur), soit manuellement par vous-même. Une fois la configuration achevée, le produit n'est plus accessible que par l'intermédiaire des adresses d'accès suivantes :

- Adresse d'accès générale : adresse IP attribuée manuellement ou par le serveur DHCP (routeur). Pour connaître l'adresse, voir logiciel d'analyse du réseau ou configuration du réseau du routeur.
- Adresse d'accès pour les systèmes Apple et Linux : SMA[numéro de série].local (par exemple SMA0123456789.local).
- Adresse d'accès pour les systèmes Windows et Android : [https://SMA\[numéro de série\].local](https://SMA[numéro de série].local) (par exemple <https://SMA0123456789.local>).

**Conditions requises :**

- Le produit doit avoir été mis en service.
- Le produit doit être intégré dans le réseau local. Conseil : vous avez différentes possibilités pour intégrer le produit dans le réseau local à l'aide de l'assistant d'installation.
- Un terminal (un ordinateur, une tablette ou un smartphone) est nécessaire.
- Le terminal doit se trouver dans le même réseau local que celui du produit.
- L'un des navigateurs Web suivants doit être installé dans sa version actuelle sur le terminal : Chrome, Edge, Firefox, Internet Explorer ou Safari.
- Pour modifier les paramètres importants pour le réseau une fois les 10 premières heures d'injection écoulées ou après exécution de l'assistant d'installation, le code SMA Grid Guard de l'installateur est nécessaire (voir « Formulaire de commande du code SMA Grid Guard » sur [www.SMA-Solar.com](http://www.SMA-Solar.com)).

**i L'importation et l'exportation de fichiers en cas de terminaux avec système d'exploitation iOS ne sont pas possibles**

Pour des raisons techniques, il n'est pas possible d'importer et d'exporter des fichiers dans le cas de terminaux mobiles avec système d'exploitation iOS (importer une configuration d'onduleur, enregistrer la configuration actuelle de l'onduleur ou exporter des événements et des paramètres, par exemple).

- Pour l'importation et l'exportation de fichiers, utilisez un terminal sans système d'exploitation iOS.

**Procédure :**

1. Entrez l'adresse IP de l'onduleur dans la barre d'adresse du navigateur Web.
2. **i Le navigateur Web signale une faille de sécurité**

Une fois l'adresse IP confirmée avec la touche Entrée, il est possible qu'un message indiquant que la connexion à l'interface utilisateur de l'onduleur n'est pas sûre apparaisse. SMA Solar Technology AG garantit que l'ouverture de l'interface utilisateur est sûre.

- Poursuivez le chargement de l'interface utilisateur.
- La page de connexion à l'interface utilisateur s'ouvre.

## 7.4 Connexion à l'interface utilisateur

Une fois la liaison avec l'interface utilisateur de l'onduleur établie, la page de connexion s'ouvre. Identifiez-vous à l'interface utilisateur en procédant comme suit.

**Procédure :**

1. Dans la liste déroulante **Langue**, sélectionnez la langue souhaitée.
2. Dans la liste déroulante **Groupe d'utilisateurs**, sélectionnez l'entrée **Installateur**.
3. Dans le champ **Nouveau mot de passe**, entrez un nouveau mot de passe pour le groupe d'utilisateurs **Installateur**.

4. Dans le champ **Confirmer le mot de passe**, entrez encore une fois le nouveau mot de passe.
  5. Cliquez sur **Login**.
- La page **Configuration de l'onduleur** s'ouvre.

## 7.5 Sélection de l'option de configuration

Une fois que vous êtes identifié en tant qu'**Installateur** sur l'interface utilisateur, la page **Configuration de l'onduleur** s'ouvre.

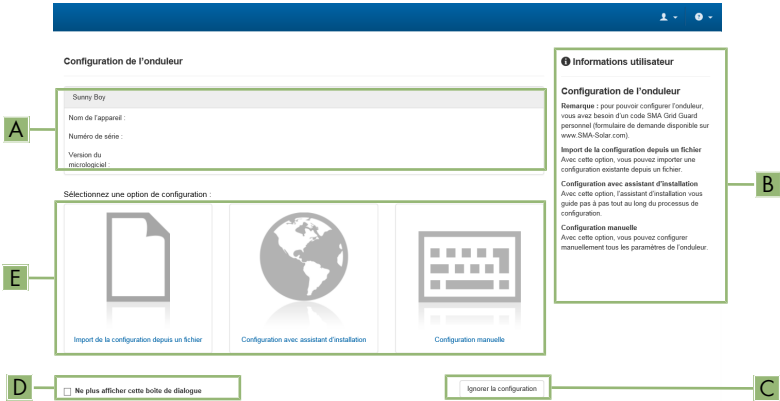


Figure 12 : Structure de la page **Configuration de l'onduleur**

Position	Désignation	Signification
A	Informations sur les appareils	Affiche les informations suivantes : <ul style="list-style-type: none"> <li>• Nom de l'appareil</li> <li>• Numéro de série de l'onduleur</li> <li>• Version du micrologiciel de l'onduleur</li> </ul>
B	Informations utilisateur	Offre de brèves informations sur les options de configuration affichées
C	Ignorer la configuration	Offre la possibilité de passer l'étape de configuration et d'accéder directement à l'interface utilisateur (non recommandé)
D	Champ de sélection	Permet de choisir de ne plus afficher la page à la prochaine ouverture de l'interface utilisateur
E	Options de configuration	Offre une sélection des différentes options de configuration

**Procédure :**

Différentes options de configuration sont proposées sur la page **Configuration de l'onduleur**. Sélectionnez l'une des options et procédez comme suit pour l'option sélectionnée. SMA Solar Technology AG vous recommande d'utiliser l'assistant d'installation pour procéder à la configuration. Vous vous assurez ainsi que tous les paramètres importants pour le fonctionnement optimal de l'onduleur seront configurés.

- Importation de la configuration depuis un fichier
- Configuration avec assistant d'installation (recommandée)
- Configuration manuelle

**i** **Confirmation des réglages**

L'enregistrement des réglages effectués est représenté sur l'interface utilisateur par une icône sablier. Si la tension DC est suffisante, les données sont directement transmises et appliquées à l'onduleur. Si la tension DC est trop faible (le soir, par exemple), les paramètres sont enregistrés mais ils ne peuvent pas être transmis ni appliqués directement à l'onduleur. Tant que l'onduleur n'a pas reçu et appliqué les réglages, le sablier reste affiché sur l'interface utilisateur. Les réglages sont appliqués lorsque la tension DC est suffisante et que l'onduleur redémarre. Dès que l'icône sablier apparaît sur l'interface utilisateur, cela signifie que les réglages ont été enregistrés. Les réglages ne sont pas perdus. Vous pouvez vous déconnecter de l'interface utilisateur et quitter l'installation.

**Importation de la configuration depuis un fichier**

Vous pouvez importer la configuration de l'onduleur depuis un fichier. Pour cela, vous devez disposer d'une configuration d'onduleur enregistrée dans un fichier.

**Procédure :**

1. Sélectionnez l'option de configuration **Importation de la configuration depuis un fichier**.
2. Cliquez sur **[Parcourir...]** et sélectionnez le fichier souhaité.
3. Sélectionnez **[Importer le fichier]**.

## Configuration avec assistant d'installation (recommandée)

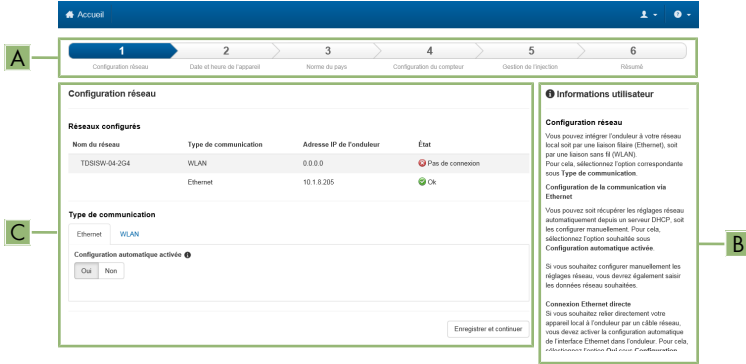


Figure 13 : Structure de l'assistant d'installation (exemple)

Position	Désignation	Signification
A	Étapes de configuration	Vue d'ensemble des étapes de l'assistant d'installation. Le nombre d'étapes dépend du type d'appareil et des modules intégrés en plus. L'étape à laquelle vous vous trouvez actuellement est indiquée en bleu.
B	Informations utilisateur	Informations sur l'étape de configuration actuelle et sur les réglages possibles à cette étape.
C	Champ de configuration	Vous pouvez procéder aux réglages dans ce champ.

### Procédure :

- Sélectionnez l'option de configuration **Configuration avec assistant d'installation**.
  - L'assistant d'installation s'ouvre.
- Suivez les étapes de l'assistant d'installation et procédez aux réglages pour votre installation.
- Pour chaque réglage effectué à une étape, cliquez sur [**Enregistrer et continuer**].
  - À la dernière étape, tous les réglages effectués sont affichés dans un récapitulatif.
- Pour enregistrer les réglages dans un fichier, cliquez sur [**Exporter le récapitulatif**] et enregistrez le fichier sur votre ordinateur, tablette ou smartphone.
- Pour exporter tous les paramètres et leurs réglages, cliquez sur [**Exporter tous les paramètres**]. Tous les paramètres et leurs réglages sont exportés dans un fichier HTML.
- Pour corriger les réglages effectués, cliquez sur [**Précédent**] jusqu'à revenir à l'étape souhaitée, corrigez les réglages et cliquez sur [**Enregistrer et continuer**].
- Quand tous les réglages sont corrects, cliquez sur [**Suivant**] dans le récapitulatif.
  - La page d'accueil de l'interface utilisateur s'ouvre.

## Configuration manuelle

Vous pouvez configurer manuellement l'onduleur en réglant les paramètres souhaités.

### Procédure :

1. Sélectionnez l'option de configuration **Configuration manuelle**.
  - Le menu **Paramètres de l'appareil** s'ouvre sur l'interface utilisateur et tous les groupes de paramètres disponibles pour l'onduleur s'affichent.
2. Cliquez sur [**Modifier les paramètres**].
3. Sélectionnez le groupe de paramètres souhaité.
  - Tous les paramètres du groupe de paramètres s'affichent.
4. Réglez les paramètres souhaités.
5. Cliquez sur [**Enregistrer tout**].
  - Les paramètres de l'onduleur sont réglés.

## 7.6 Paramètres réglables

Les paramètres suivants servant à la surveillance de la tension et de la fréquence peuvent être réglés par le biais de l'interface utilisateur de l'onduleur (la description de la marche à suivre pour la modification des paramètres de fonctionnement est décrite dans le manuel d'utilisation de l'onduleur).

Les tensions indiquées correspondent aux tensions phase – neutre. Si les valeurs par défaut sont présentées comme des tensions entre phases, elles doivent être converties en tensions phase – neutre.

Nom	Valeur/plage	Valeur par défaut
<b>Surveillance de tension seuil maximum supérieur comme valeur effective</b>	220 V à 332,4 V	332,4 V
<b>Surveillance de tension seuil maximum moyen</b> (Overvoltage/Fast)	220 V à 332,4 V	332,4 V
<b>Surveillance de tension seuil maximum inférieur</b> (Overvoltage/Slow)	220 V à 305 V	304,7 V
<b>Surveillance de tension seuil minimum supérieur</b> (Undervoltage/Slow)	103,5 V à 277,0 V	243,8 V
<b>Surveillance de tension seuil minimum moyen</b> (Undervoltage/Fast)	103,5 V à 277,0 V	138,5 V
<b>Surveillance de tension seuil minimum inférieur comme valeur effective</b>	103,5 V à 277 V	138,5 V
<b>Temps décl. surv. tension seuil maximum supérieur comme valeur effective</b>	0,05 s à 59 s	0,16 s

Nom	Valeur/plage	Valeur par défaut
<b>Temps décl. surv. tension seuil maximal moyen</b> (Overvoltage/Fast, maximum time)	0,05 s à 59 s	0,16 s
<b>Temps décl. surv. tension seuil maximal inférieur</b> (Overvoltage/Slow, maximum time)	0,1 s à 60 s	1,0 s
<b>Temps décl. surv. tension seuil minimum supérieur</b> (Undervoltage/Slow, maximum time)	0,1 s à 60 s	2,0 s
<b>Temps décl. surv. tension seuil minimum moyen</b> (Undervoltage/Fast, maximum time)	0,1 s à 60 s	0,16 s
<b>Surveillance de la tension seuil min. inf. comme valeur effective temps de déclenchement</b>	0,1 s à 60 s	0,16 s
<b>Surveillance de la fréquence seuil min. supérieur</b> (Underfrequency)	44 Hz à 60 Hz	59,3 Hz
<b>Surveillance de la fréquence seuil max. inférieur</b> (Overfrequency)	50 Hz à 66 Hz	60,5 Hz
<b>Temps décl. surv. fréquence seuil min. supérieur</b> (Underfrequency, maximum time)	0,1 s à 1000 s	0,16 s
<b>Temps décl. surv. fréquence seuil max. inférieur</b> (Overfrequency, maximum time)	0,1 s à 1000 s	0,16 s



## 8 Mise hors tension de l'onduleur

Avant toute intervention sur l'onduleur, mettez toujours ce dernier hors tension comme décrit dans ce chapitre. Pour cela, respectez toujours l'ordre prescrit.

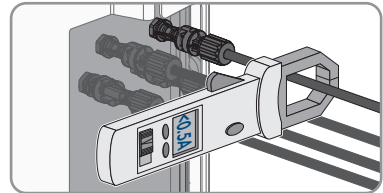
### PRUDENCE

#### Destruction de l'appareil de mesure par surtension

- Utilisez exclusivement des appareils de mesure avec une plage de tension d'entrée DC d'au moins 1000 V ou supérieure.

#### Procédure :

1. Coupez le disjoncteur miniature AC et sécurisez-le contre tout réenclenchement.
2. Réglez l'interrupteur-sectionneur AC de l'onduleur sur la position **O**.
3. Sécurisez l'interrupteur-sectionneur AC contre toute remise en marche à l'aide d'un cadenas adapté.
4. Réglez l'interrupteur-sectionneur DC de l'onduleur sur la position **O**.
5. Sécurisez l'interrupteur-sectionneur DC contre toute remise en marche à l'aide d'un cadenas adapté.
6. Si vous utilisez le relais multifonction, désactivez, le cas échéant, la tension d'alimentation de la charge.
7. Attendez que les DEL s'éteignent.
8. Assurez-vous de l'absence de courant au niveau de tous les conducteurs DC à l'aide d'une pince ampèremétrique.



9.

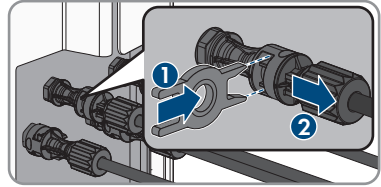
### **!** DANGER

#### **Danger de mort par choc électrique en cas de contact avec des conducteurs DC ou des contacts de connecteurs DC mis à nu si les connecteurs DC sont endommagés ou desserrés**

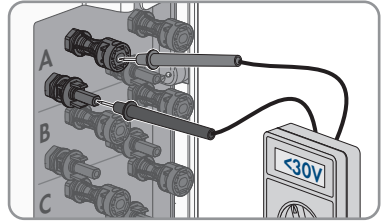
En cas de déverrouillage ou de retrait incorrect des connecteurs DC, ces derniers peuvent se rompre ou être endommagés, se détacher des câbles DC ou ne plus être raccordés correctement. Les conducteurs DC ou les contacts de connecteurs DC peuvent alors être mis à nu. Le contact avec des conducteurs DC ou des contacts de connecteurs DC entraîne des blessures graves, voire la mort par choc électrique.

- Lors de travaux effectués sur des connecteurs DC, portez toujours des gants de protection et utilisez des outils isolés.
- Assurez-vous que les connecteurs DC sont en parfait état et qu'aucun conducteur DC ou contact de connecteur DC n'est mis à nu.
- Déverrouillez et retirez les connecteurs DC avec précaution comme décrit ci-après.

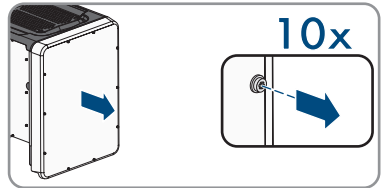
10. Déverrouillez et retirez le connecteur DC avec l'outil de déverrouillage correspondant (consultez les instructions du fabricant pour obtenir des informations supplémentaires).



11. Assurez-vous de l'absence de tension au niveau des entrées DC de l'onduleur à l'aide d'un appareil de mesure approprié.



12. Dévissez les 10 vis du couvercle du boîtier de la Connection Unit AC et retirez le couvercle du boîtier en le tirant vers l'avant (TX 25).



13. Mettez de côté les vis et le couvercle du boîtier et conservez-les en lieu sûr.
14. À l'aide d'un appareil de mesure adapté, vérifiez que les plaques à bornes AC entre L1 et N, L2 et N et L3 et N sont bien hors tension. Pour ce faire, insérez la pointe de contrôle (diamètre maximal : 2,5 mm (0,078 in)) dans l'ouverture de mesure de chaque plaque à bornes.
15. À l'aide d'un appareil de mesure adapté, vérifiez que les plaques à bornes AC entre L1 et le conducteur de protection, L2 et le conducteur de protection et L3 et le conducteur de protection sont bien hors tension. Pour ce faire, insérez la pointe de contrôle (diamètre maximal : 2,5 mm (0,078 in)) dans l'ouverture de mesure de chaque plaque à bornes.

## 9 Mise hors service de l'onduleur

Pour mettre définitivement hors service l'onduleur à la fin de sa durée de vie, procédez comme décrit dans ce chapitre.

### ⚠ ATTENTION

#### Risque de blessure dû à la chute de l'onduleur lors de son soulèvement

L'onduleur pèse 84 kg (185,2 lbs). Il existe un risque de blessure dû au soulèvement incorrect et à la chute de l'onduleur lors du transport ou du montage.

- L'onduleur doit être transporté et levé à la verticale par plusieurs personnes, sans être basculé.

#### Conditions requises :

- Une palette doit être disponible.
- L'emballage d'origine avec rembourrages doit être disponible.
- Les poignées de transport doivent être disponibles.

#### Procédure :

1.

### ⚠ DANGER

#### Danger de mort dû à de hautes tensions

- Mettez l'onduleur hors tension (voir chapitre 8, page 193).

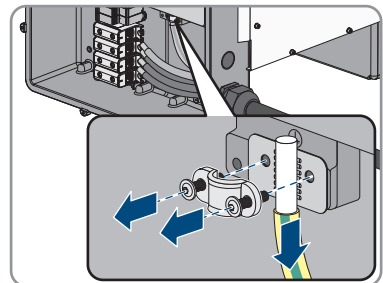
2.

### ⚠ ATTENTION

#### Risque de brûlure dû au contact de composants chauds du boîtier

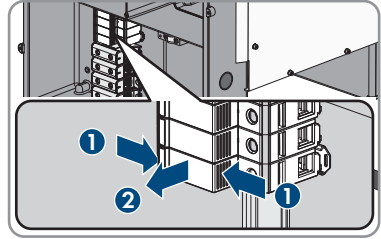
- Attendez 30 minutes jusqu'à ce que le boîtier ait refroidi.

- Retirez les conducteurs AC de l'onduleur. Pour cela, dévissez les vis (TX 30) et retirez les câbles de la borne.
- Débranchez le conducteur de mise à la terre de l'équipement du réseau électrique public de la borne de mise à la terre de l'équipement. Pour cela, dévissez les vis (TX 25) et retirez le conducteur de mise à la terre de l'équipement en le faisant passer sous le collier.

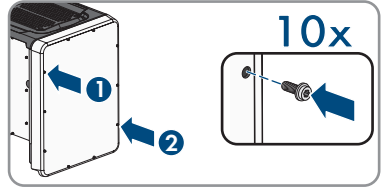


- Retirez tous les conducteurs AC de l'onduleur.
- Retirez le tuyau à câbles de l'ouverture du boîtier de la Connection Unit AC. Pour cela, dévissez les manchons de l'intérieur et retirez-les de l'ouverture de boîtier.

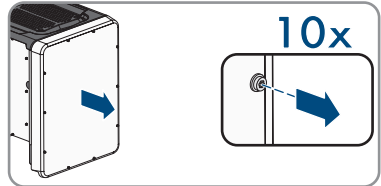
7. Si des parafoudres AC sont connectés, débranchez-les de leurs ports. Pour cela, serrez les parties moletées côté gauche et droit du parafoudre.



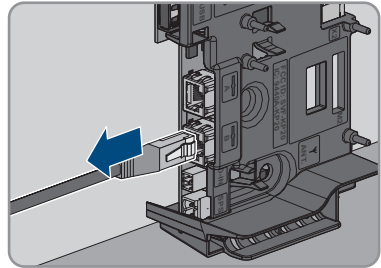
8. Placez le couvercle du boîtier de la Connection Unit AC sur la Connection Unit AC et vissez tout d'abord les vis en haut à gauche et en bas à droite, et ensuite les autres vis en croix (TX 25) (couple de serrage : 6 Nm (53 in-lb)).



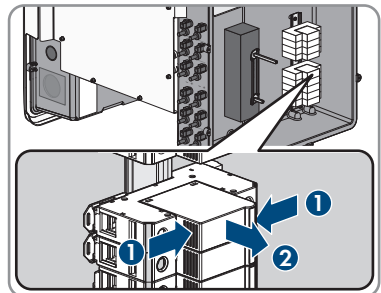
9. Dévissez les 10 vis du couvercle du boîtier de la Connection Unit DC (TX 25) et retirez le couvercle du boîtier en le tirant vers l'avant.



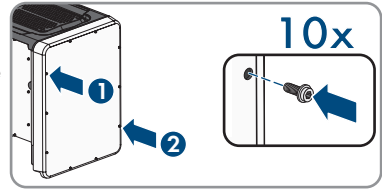
10. Mettez de côté les vis et le couvercle du boîtier et conservez-les en lieu sûr.  
11. Débranchez tous les câbles de raccordement du module de construction de la communication et retirez-les de la Connection Unit DC.



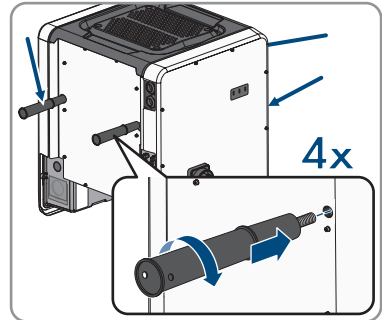
12. Retirez de l'onduleur tous les tuyaux à câbles avec les conducteurs. Pour cela, dévissez le manchon de l'intérieur et retirez-le des ouvertures de boîtier.  
13. Si des parafoudres DC sont branchés, retirez-les tous de leurs ports. Pour cela, serrez les parties moletées côté gauche et droit du parafoudre.



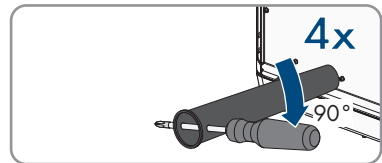
14. Placez le couvercle du boîtier de la Connection Unit DC sur la Connection Unit DC et vissez tout d'abord les vis en haut à gauche et en bas à droite et ensuite les autres vis en croix (TX 25) (couple de serrage : 6 Nm (53 in-lb)).



15. Vissez les quatre poignées de transport jusqu'à la butée dans les trous filetés sur les côtés gauche et droit jusqu'à ce qu'elles soient parfaitement en contact avec le boîtier. Veillez à ne pas visser les poignées de transport de biais dans les trous filetés. Si les poignées de transport sont vissées de biais, il sera difficile voire impossible de les dévisser par la suite. De plus, les trous filetés seront endommagés, ce qui empêchera de monter une nouvelle fois les poignées de transport.



16. Insérez un tournevis dans les trous de la poignée de transport et tournez-le à 90°. Cela permet de s'assurer que les poignées de transport sont bien serrées.



17. Pour démonter les pieds ou la glissière profilée, placez avec précaution l'onduleur sur le côté de la Connection Unit AC.
18. Si l'onduleur doit être stocké ou expédié, emballez l'onduleur dans son emballage d'origine :
- Placez la partie inférieure de l'emballage d'origine avec le rembourrage sur la palette.
  - Placez l'onduleur sur la palette avec le rembourrage. Le côté de l'onduleur comportant la Connection Unit AC doit reposer sur le rembourrage.
  - Dévissez les quatre poignées de transport des trous filetés. Au besoin, insérez un tournevis dans les trous des poignées de transport pour les dévisser.
  - Placez la partie supérieure de l'emballage d'origine au-dessus de l'onduleur.
  - Installez le rembourrage supérieur.
  - Fermez l'emballage.
  - Sécurisez l'emballage et la palette à l'aide d'un cerclage ou de sangles.
19. Si l'onduleur doit être éliminé, éliminez-le conformément aux prescriptions d'élimination en vigueur pour les déchets d'équipements électriques et électroniques.

## 10 Caractéristiques techniques

### Entrée DC

	STP 33-US-41	STP 50-US-41	STP 62-US-41
Puissance maximale du générateur	50000 W <sub>c</sub>	75000 W <sub>c</sub>	93750 W <sub>c</sub>
Tension d'entrée maximale	1000 V	1000 V	1000 V
Plage de tension MPP	330 V à 800 V	500 V à 800 V	550 V à 800 V
Tension d'entrée assignée	683 V	725 V	725 V
Tension d'entrée minimum	150 V	150 V	150 V
Tension d'entrée de démarrage	188 V	188 V	188 V
Courant d'entrée maximal par connecteur DC	20 A	20 A	20 A
Courant d'entrée maximal par entrée	20 A	20 A	20 A
Courant de court-circuit maximal, par entrée	30 A	30 A	30 A
Nombre d'entrées MPP indépendantes	6	6	6
Connecteur DC par entrée MPP	2	2	2

### Sortie AC

	STP 33-US-41	STP 50-US-41	STP 62-US-41
Puissance assignée à 277 V, 60 Hz	33300 W	50000 W	62500 W
Puissance apparente AC maximale	33300 VA	53000 VA	66000 VA
Tension de réseau assignée	277 V	277 V	277 V
Tension nominale AC	480 V / 277 V	480 V / 277 V	480 V / 277 V
Plage de tension AC*	244 V à 304,7 V	244 V à 304,7 V	244 V à 304,7 V
Courant nominal AC à 277 V	40 A	64 A	79,5 A

	STP 33-US-41	STP 50-US-41	STP 62-US-41
Courant de sortie maximal	40 A	64 A	80 A
Taux de distorsion harmonique du courant de sortie en cas de taux de distorsion harmonique de la tension AC < 2 % et puissance AC > 50 % de la puissance assignée	< 3 %	< 3 %	< 3 %
Courant de défaut maximal à la sortie	440 Apeak	440 Apeak	440 Apeak
Durée du courant de défaut maximal à la sortie	26 ms	26 ms	26 ms
Déséquilibre de courant	0,06 %	0,07 %	0,09 %
Caractéristiques de synchronisation	Méthode 2	Méthode 2	Méthode 2
Fréquence de réseau assignée	60 Hz	60 Hz	60 Hz
Plage de travail pour une fréquence du réseau AC de 60 Hz	54 Hz à 66 Hz	54 Hz à 66 Hz	54 Hz à 66 Hz
Limite de précision de la mesure de la tension	2 % de la tension AC	2 % de la tension AC	2 % de la tension AC
Limite de précision de la mesure de fréquence	± 0,1 Hz	± 0,1 Hz	± 0,1 Hz
Limite de précision de la mesure du temps de déclenchement nominal	± 0,1 %	± 0,1 %	± 0,1 %
Limite de précision de la mesure du courant	1 % du courant AC	1 % du courant AC	1 % du courant AC
Limite de précision de la mesure de la puissance (puissance réactive et puissance active)	5 % de la puissance nominale AC	5 % de la puissance nominale AC	5 % de la puissance nominale AC

	STP 33-US-41	STP 50-US-41	STP 62-US-41
Limite de précision de la mesure du facteur de puissance	0,01	0,01	0,01
Limite de précision de la mesure du temps	0,001 s	0,001 s	0,001 s
Puissance de sortie à +60 °C (+140 °F) à la tension MPP minimale	> 27,6 kVA	> 34 kVA	> 40,8 kVA
Puissance de sortie à +60 °C (+140 °F) à la tension MPP maximale	> 33,3 kVA	> 38,5 kVA	40,2 kVA
Facteur de puissance pour la puissance assignée	1	1	1
Plage du facteur de déphasage, réglable	0,0 inductif à 0,0 capacitif	0,0 inductif à 0,0 capacitif	0,0 inductif à 0,0 capacitif
Phases de sortie	3	3	3
Conducteurs de raccordement	3-(N)-PE	3-(N)-PE	3-(N)-PE
Catégorie de surtension selon UL 1741	IV	IV	IV

\* En fonction du jeu de données régionales paramétré

## Rendement

	STP 33-US-41	STP 50-US-41	STP 62-US-41
Rendement maximal, $\eta_{\max}$	98,2 %	98,2 %	98,2 %
Rendement CEC, $\eta_{\text{CEC}}$	97,5 %	97,5 %	97,5 %

## Relais multifonction

Tension de coupure maximale DC	30 V
Courant de commutation maximal AC	1,0 A
Courant de commutation maximal DC	1,0 A
Charge minimale	0,1 W



Durée de vie minimale (en cas de respect de la tension de coupure et du courant de commutation maximaux)\* 100000 cycles de commutation

\* Correspond à 20 ans pour 12 commutations par jour

## Dispositifs de protection

Protection inversion de polarité DC	Diode de court-circuit
Dispositif de déconnexion côté entrée	Interrupteur-sectionneur DC
Interrupteur de service côté sortie, répertorié UL 508	Interrupteur-sectionneur AC
Protection contre les surtensions DC	Parafoudre de type 2 ou de type 1+2 (en option)
Protection contre les surtensions AC	Parafoudre de type 2 ou de type 1+2 (en option)
Résistance aux courts-circuits AC	Régulation du courant
Surveillance du réseau	SMA Grid Guard 3
Ampérage maximal autorisé du fusible	100 A
Surveillance du défaut à la terre pour le STP 33-US-41	Surveillance d'isolement : $R_{iso} > 150 \text{ k}\Omega$
Surveillance du défaut à la terre pour le STP 50-US-41 / STP 62-US-41	Surveillance d'isolement : $R_{iso} > 100 \text{ k}\Omega$
Unité de surveillance du courant de défaut sensible à tous les courants	présente
Détection d'arc électrique AFCI, type 1, répertorié selon UL1699B Ed. 1	présente
Système à arrêt rapide	Autodécharge à tous les câbles de raccordement DC et AC < 30 V

## Données générales

Largeur x hauteur x profondeur, sans pieds et sans sectionneur	621 mm x 733 mm x 569 mm (24,4 in x 28,8 in x 22,4 in)
Poids	84 kg (185,2 lbs)
Longueur x largeur x hauteur de l'emballage	800 mm x 600 mm x 886 mm (31,5 in x 23,6 in x 34,9 in)
Poids de transport (palette comprise)	100 kg (220,46 lbs)
Plage de température de fonctionnement	-25 °C à +60 °C (-13 °F à +140 °F)
Température de stockage	-40 °C à +70 °C (-40 °F à +158 °F)

Valeur maximale admissible d'humidité relative de l'air, sans condensation	100 %
Altitude maximale d'exploitation au-dessus du niveau moyen de la mer	3000 m (9843 ft)
Émissions sonores typiques	64 dB(A)
Puissance dissipée en mode nocturne	5 W
Topologie	Sans transformateur
Système de refroidissement	SMA OptiCool
Nombre de ventilateurs	3
Indice de protection du boîtier selon UL 50	Type 4X/3SX
Classe de protection	I
Schémas de liaison à la terre	Connexion étoile 277/480 V
Homologations et normes nationales, Version 12/2018	UL 1741 2018, UL 1741 SA, UL 1699B Ed. 1, IEEE 1547, <i>Canadian Electrical Code</i> ® CSA 22.2 107-1-16, FCC Part 15 (Class A)

## Conditions climatiques

### Montage conformément à la norme CEI 60721-3-4, classe 4K4H

Plage de température étendue	-25 °C à +60 °C (-13 °F à +140 °F)
Plage élargie de l'humidité relative de l'air	0 % à 100 %
Valeur limite pour humidité relative, sans condensation	100 %
Plage de pression d'air élargie	79,5 kPa à 106 kPa

### Transport conformément à la norme CEI 60721-3-4, classe 2K3

Plage de température	-40 °C à +70 °C (-40 °F à +158 °F)
----------------------	------------------------------------

## Équipement

Raccordement DC	Connecteur PV Amphenol UTX
Raccordement AC	Bornes à vis
Relais multifonction	de série
Éléments de protection contre les surtensions de type 2 et de type 1+2 pour AC et/ou DC	En option

## Couples de serrage

Vis du couvercle du boîtier de la Connection Unit DC et de la Connection Unit AC	6 Nm (53 in-lb)
--	-----------------

Vis de bornes AC	14 Nm (126 in-lb)
Vis de fixation des pieds ou de la glissière profilée	16 Nm (142 in-lb)
Vis du couvercle de la partie supérieure de l'onduleur	6 Nm (53 in-lb)
Vis de borne de mise à la terre de l'équipement pour le raccordement du conducteur de mise à la terre de l'équipement du réseau électrique public	6 Nm (53 in-lb)
Vis de borne de mise à la terre de l'équipement pour le raccordement du conducteur de mise à la terre de l'équipement du générateur photovoltaïque	4 Nm (35 in-lb)

### Capacité de la mémoire de données

Rendement énergétique au cours de la journée	63 jours
Rendements quotidiens	30 ans
Messages d'événement pour utilisateurs	1024 événements
Messages d'événements pour l'installateur	1024 événements

# 11 Informations sur le respect des spécifications

## FCC Compliance

This device complies with Part 15 of the FCC Rules and with Industry Canada licence-exempt RSS standard(s).

Operation is subject to the following two conditions:

1. this device may not cause harmful interference, and
2. this device must accept any interference received, including interference that may cause undesired operation.

Le présent appareil est conforme aux CNR d'Industrie Canada applicables aux appareils radio exempts de licence.

L'exploitation est autorisée aux deux conditions suivantes :

1. l'appareil ne doit pas produire de brouillage, et
2. l'utilisateur de l'appareil doit accepter tout brouillage radioélectrique subi, même si le brouillage est susceptible d'en compromettre le fonctionnement.

This device complies with Part 15 of the FCC Rules and with Industry Canada licence-exempt RSS standard(s).

Operation is subject to the following two conditions:

1. this device may not cause harmful interference, and
2. this device must accept any interference received, including interference that may cause undesired operation.

Le présent appareil est conforme aux CNR d'Industrie Canada applicables aux appareils radio exempts de licence.

L'exploitation est autorisée aux deux conditions suivantes :

1. l'appareil ne doit pas produire de brouillage, et
2. l'utilisateur de l'appareil doit accepter tout brouillage radioélectrique subi, même si le brouillage est susceptible d'en compromettre le fonctionnement.

NOTE: This equipment has been tested and found to comply with the limits for a Class A digital device, pursuant to Part 15 of the FCC Rules. These limits are designed to provide reasonable protection against harmful interference when the equipment is operated in a commercial environment. This equipment generates, uses, and can radiate radio frequency energy and, if not installed and used in accordance with the instruction manual, may cause harmful interference to radio communications. Operation of this equipment in a residential area is likely to cause harmful interference in which case the user will be required to correct the interference at his own expense.

Changes or modifications made to this equipment not expressly approved by SMA Solar Technology AG may void the FCC authorization to operate this equipment.

## IC Compliance

This Class A digital apparatus complies with Canadian ICES-003.

Cet appareil numérique de la classe A est conforme à la norme NMB-003 du Canada.

## 12 Contact

En cas de problèmes techniques concernant nos produits, prenez contact avec le Service en Ligne de SMA. Les données suivantes sont indispensables à une assistance ciblée :

- Type d'appareil
- Numéro de série
- Version du micrologiciel
- Message de l'événement
- Lieu et hauteur de montage
- Type et nombre de panneaux photovoltaïques
- Équipement en option, par exemple produits de communication
- Nom de l'installation dans le Sunny Portal (le cas échéant)
- Données d'accès pour le Sunny Portal (le cas échéant)
- Réglages spéciaux régionaux (le cas échéant)
- Mode de fonctionnement du relais multifonction

United States	SMA Solar Technology America LLC Rocklin, CA	Toll free for USA and US Territories +1 877-MY-SMATech (+1 877-697-6283) International: +1 916 625-0870
Canada	SMA Solar Technology Canada Inc. Mississauga	Toll free for Canada / Sans frais pour le Canada : +1 877-MY-SMATech (+1 877-697-6283)
México	SMA Solar Technology de México Mexico City	Internacional: +1 916 625-0870



Access data for the registration in Sunny Portal and WLAN password | Datos de acceso para registrarse en el Sunny Portal y contraseña WLAN | Données d'accès pour l'enregistrement sur le Sunny Portal et mot de passe WLAN

Serial number

Installer password | Contraseña de instalador | Mot de passe installateur

User password | Contraseña del usuario | Mot de passe utilisateur

ENERGY  
THAT  
CHANGES

